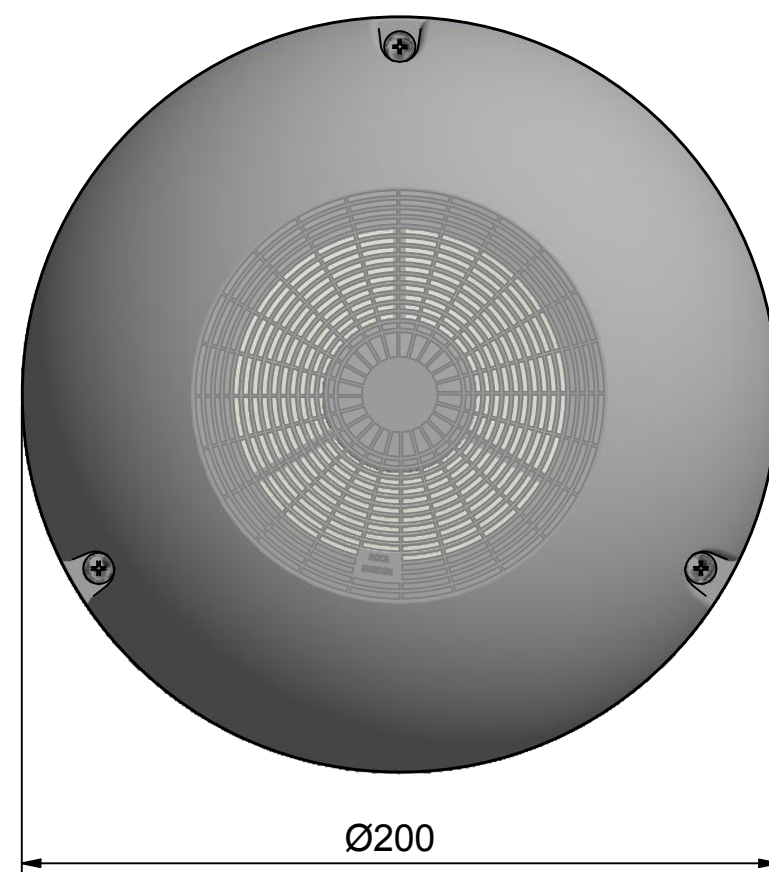
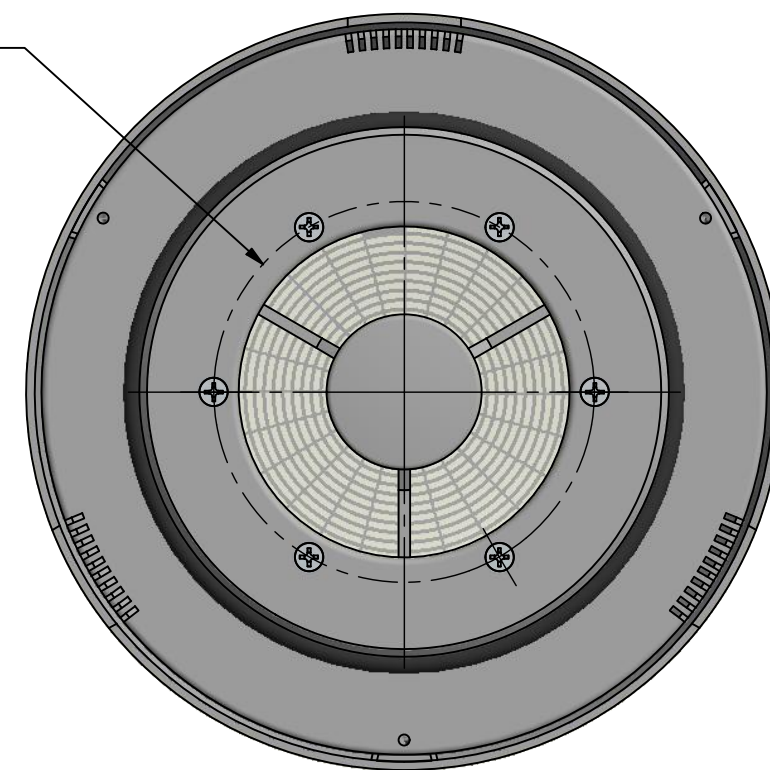


(1 : 2)



Ø101



Open area
5032mm²