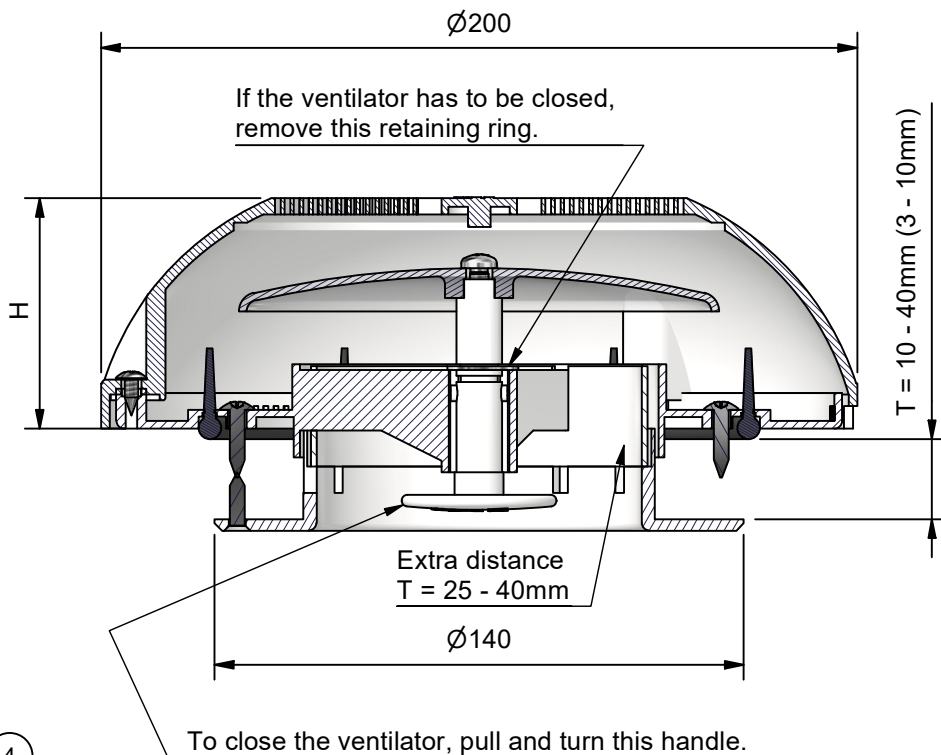
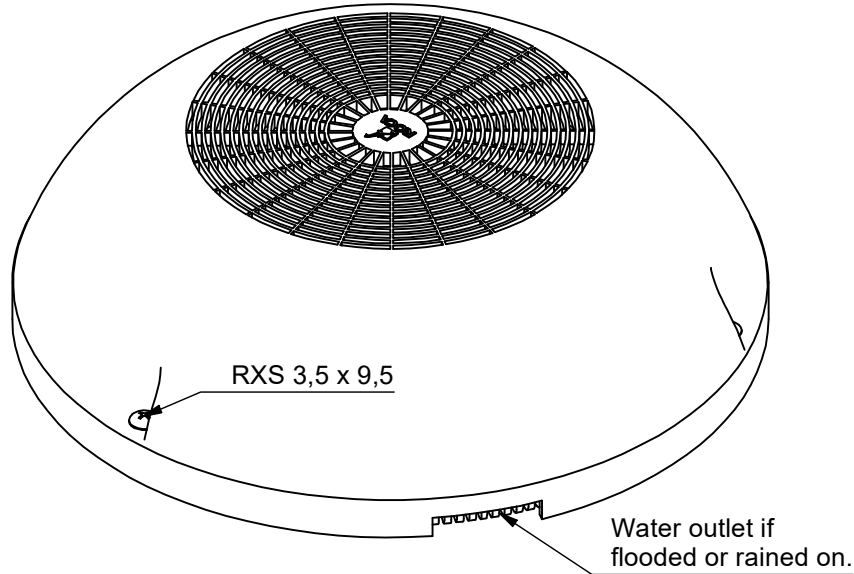


5. Mount the cover with the 3 included screws (RXS 3,5 x 9,5).



Ventilator 487200 / 487220

Installation Instructions

Before installation please read these instructions.

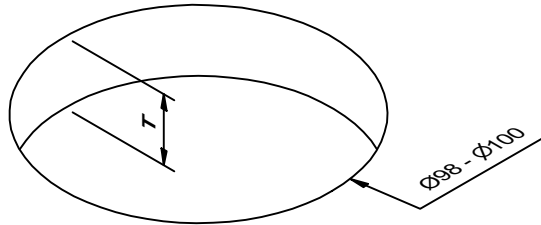


487200 Ventilator with Plastic cover
Open area 5032mm² H = 61mm

487220 Ventilator with Stainless cover
Open area 3055mm² H = 55mm

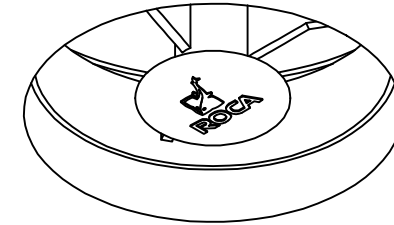
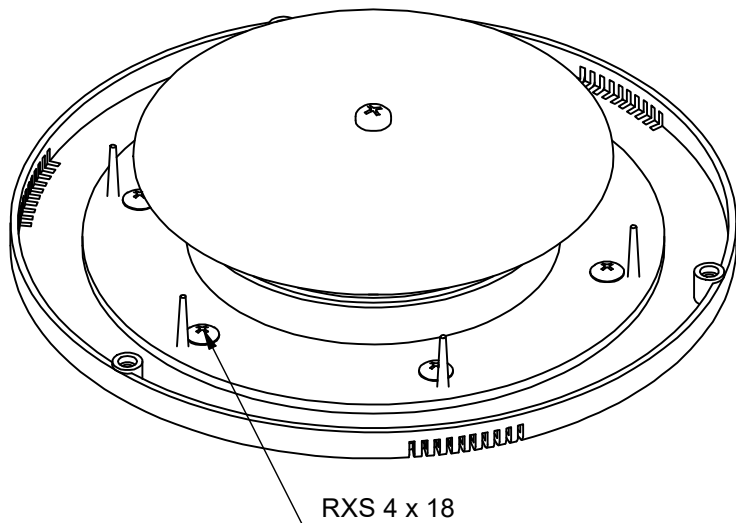


1. Make hole where you want to have the ventilator.

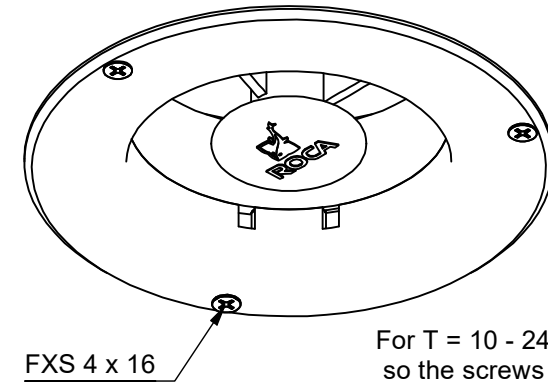


T = 10 - 40mm
T = 3 - 10mm use M4 countersunk screws and nuts.

2. Mount the ventilator without cover from topside.
Use the 6 included screws (RXS 4 x 18), pre-drill if needed.



3. Then mount the cover ring from inside.
Use the 3 included screws (FXS 4 x 16).
If the thickness T is between 25 to 40mm
use the extra distance.



For T = 10 - 24, rotate the ring
so the screws doesn't collide.

4. For T = 3 - 10mm, use countersunk screws and nuts (M4).
First mount the ventilator from topside with 3 screws and nuts.
Mount the ring from underside with 3 more screws and nuts.
Make sure the screw doesn't exceed 7mm on topside.

