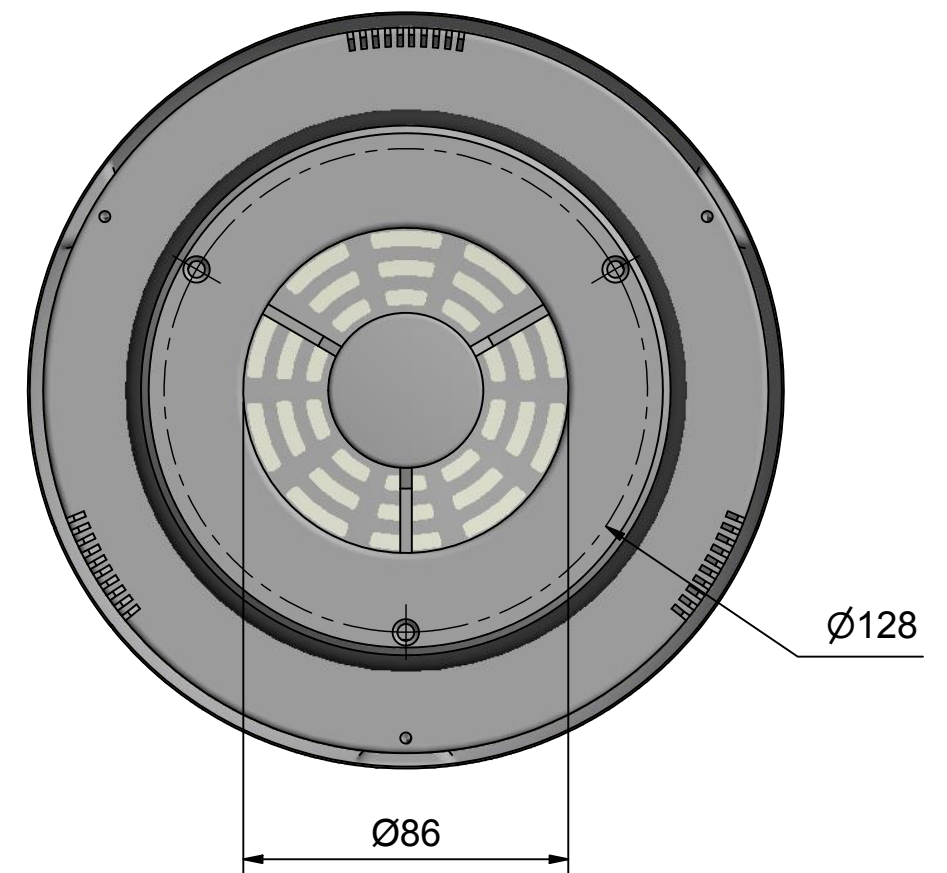
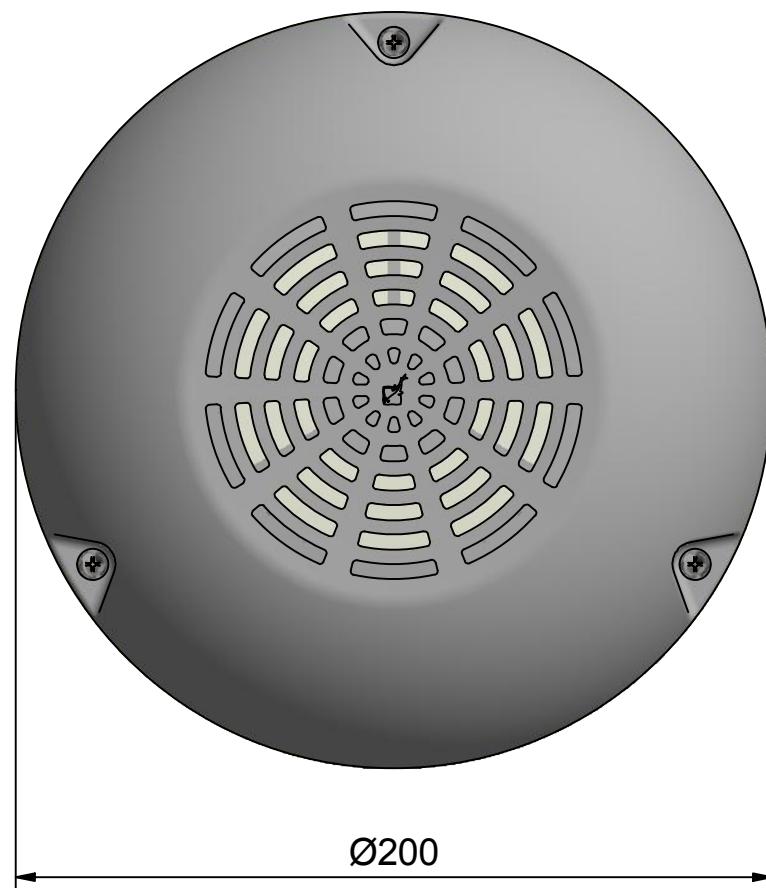
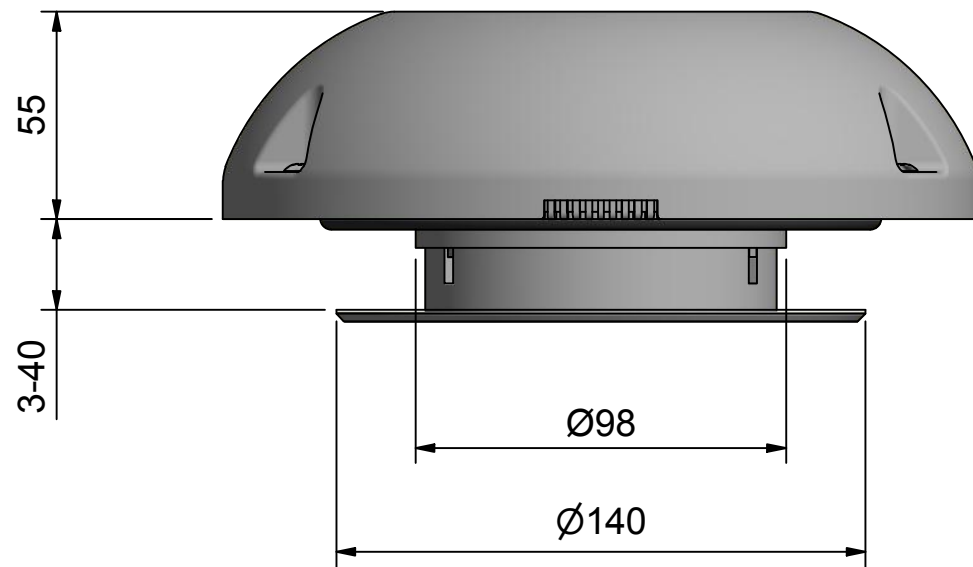


(1:2)



Open area: 3055 mm²