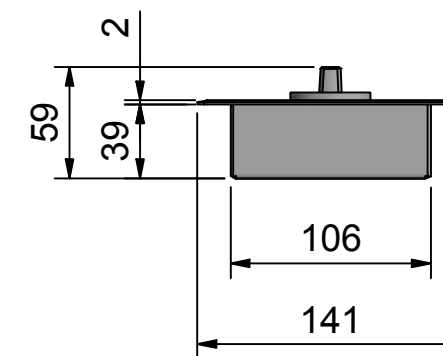
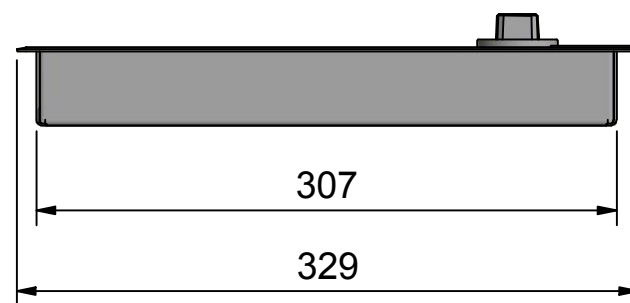


(1 : 4)



1100mm with hold open (150 kg), 90°



ROCA