

# Resetable Switch Call Point Installation Manual

## ※ Features

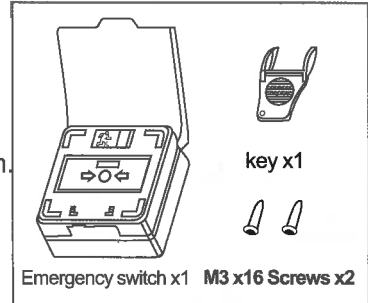
- 1.Resettable design,obvious indicators around the edges of the unit.
- 2.Press the pressing plate to enable the output function.
- 3.Pressing plate with status (green and red) shown.
- 4.Reversionary key with non-slip design.
- 5.Input power range from DC12-24V to connect with all types of fire alarm system.
- 6.Built-in buzzer status to set as silent, interval wailing or continuous wailing  
Volume is adjustable.
- 7.Easy to assemble, outer case without screws, 3 set of output points to connect other equipment, embedded or surface installations to select.

Note: only has output point function.

## ※ Specifications

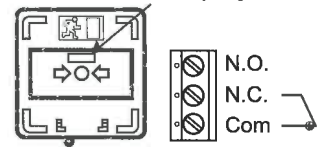
| Item              | Model | Parameters   |   | Note |
|-------------------|-------|--|---|------|
| Power supply      |       | DC 12V~DC 24V  | × | ±5 % |
| Operation current |       | DC 12V/18mA(Standby)/75mA(Operation)                                       | × | ±5 % |
|                   |       | DC 24V/11mA(Standby)/41 mA(Operation)                                      | × | ±5 % |
| Buzzer            |       | Set as silent,interval wailing or continuous wailing                       | × |      |
| Indicator         |       | Dual-colour (red and green).<br>Red indicator to set blinking , off or on. | × |      |
| Output            |       | N.O. N.C.& COM.Output (Maximum load of 125V/3A)                            |   |      |
| Weight            |       | 192g   |   |      |
| Dimensions        |       | 90mm(L)x93mm(W)x64mm(H)  |   |      |
| Material          |       | ABS,PC(transparent part)   |   |      |

## ※ Accessories



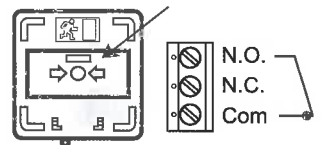
### 【Standby】

Status display:Green

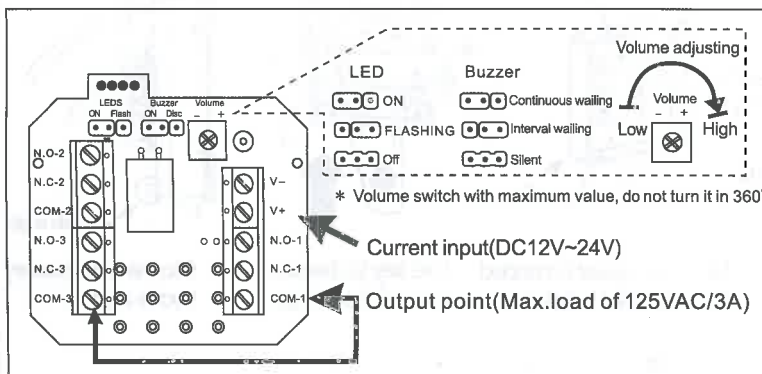


### 【Operation】

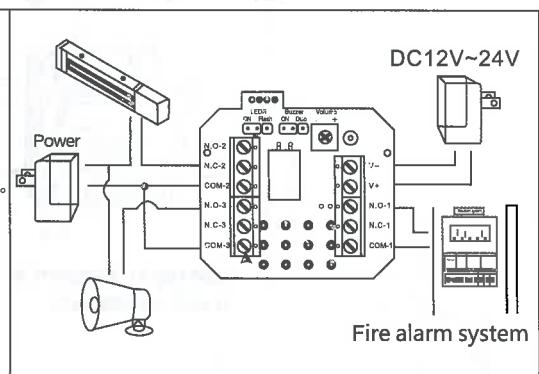
Status display:Red



## ※ Connections



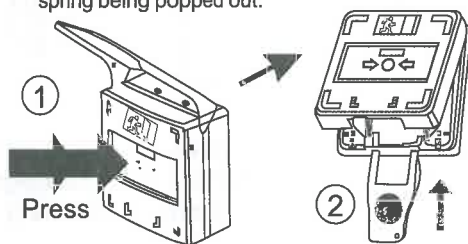
## ※ Wiring Diagram



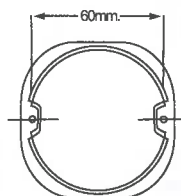
## ※ Attention before installation



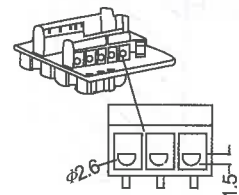
Please press the pressing plate to make sure the indicator flag turns red before opening the front and middle covers in order to prevent the spring being popped out.



▲ Fixed holes embedded box as 60mm.



▲ Restricted terminal's aperture shown below.

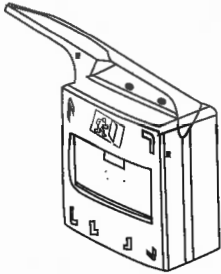


# ※ Installation

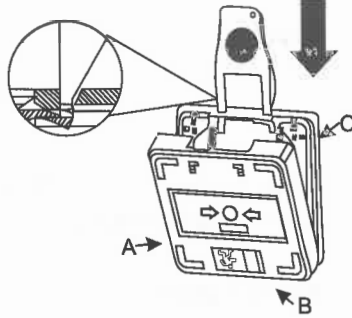
## Surface Installation

### Installation steps

Completed

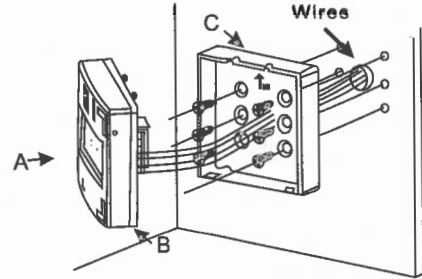


1.



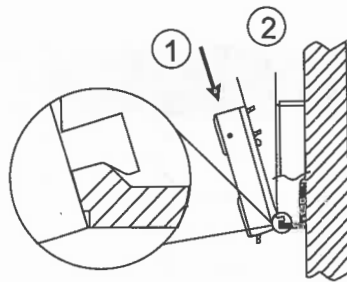
Use key to disassemble B and C fastenings.

2.



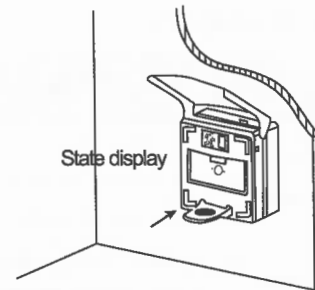
Fix bottom cover C and connect the wires

3.



Fastening the unit as the diagram shown above.

4.

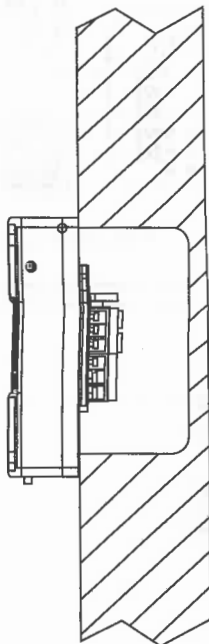


Insert the key into the key hole. Pull the key out when the flag turns green to complete the setting.

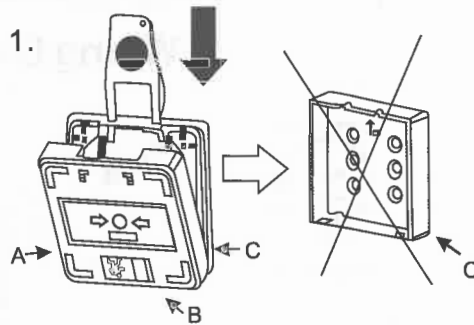
## Embedded Installation

### Installation steps

Lateral view



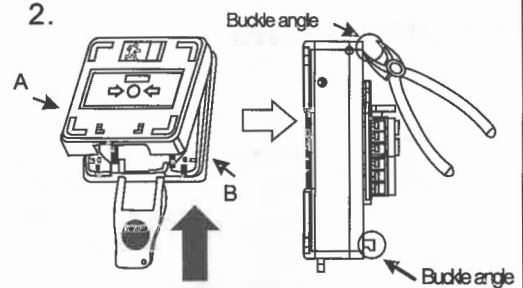
1.



Use key to disassemble B and C fastenings.

No bottom cover C needed for embedded installation.

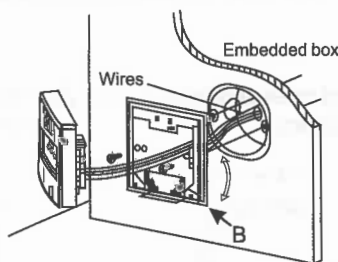
2.



Use key to disassemble A and B fastenings.

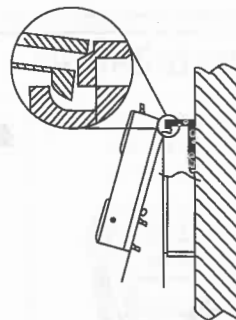
Clip the unnecessary buckle angles.

3.



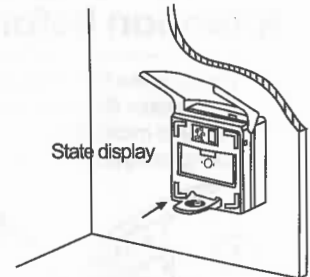
Fix middle cover B and connect the wires.

4.



Fastening the unit as the diagram shown above.

5.



Insert the key into the key hole. Pull the key out when the flag turns green to complete the setting.