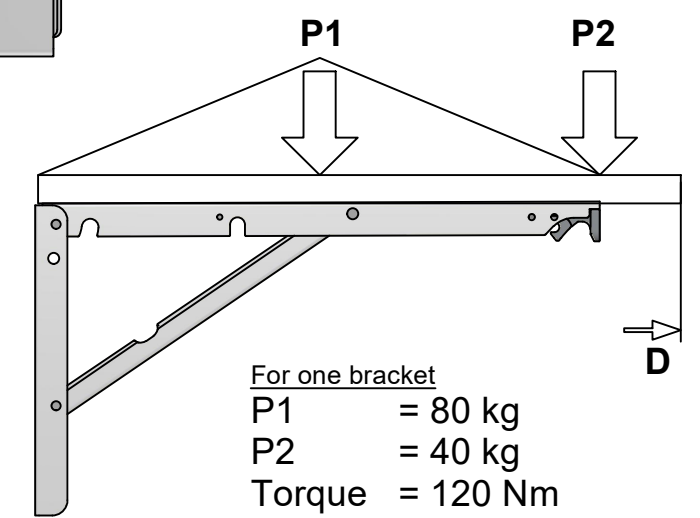
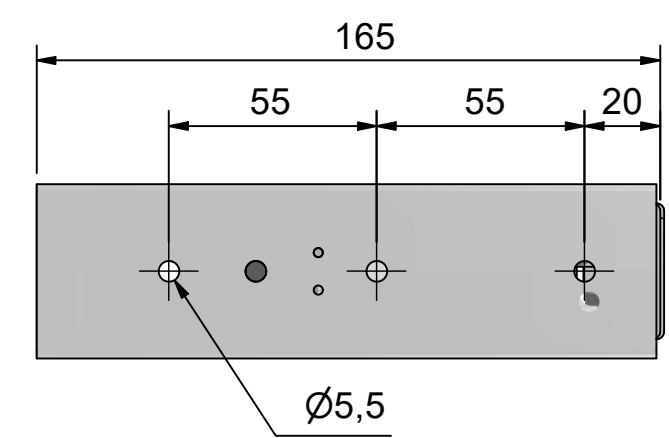
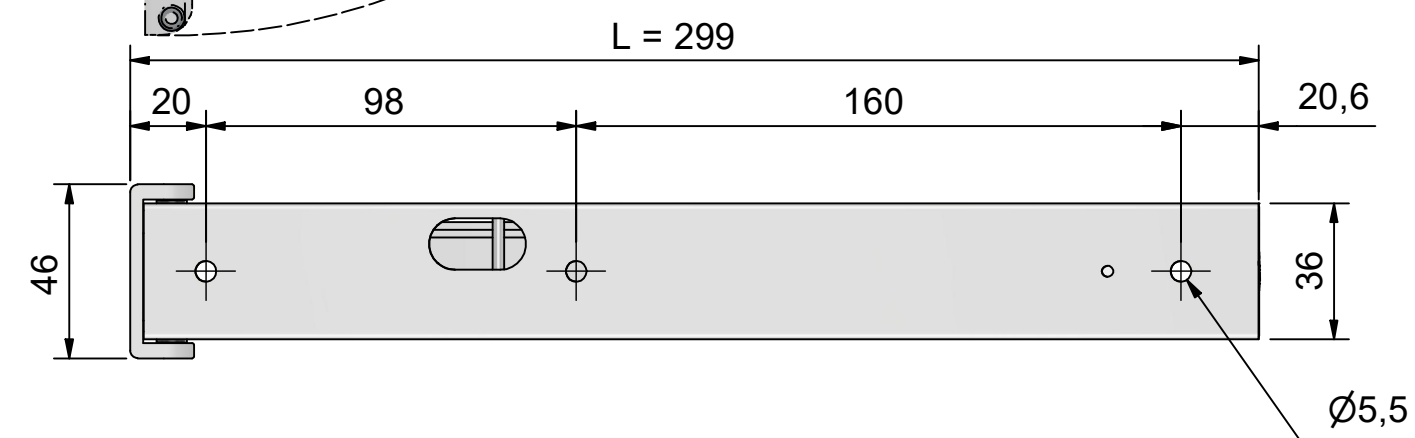
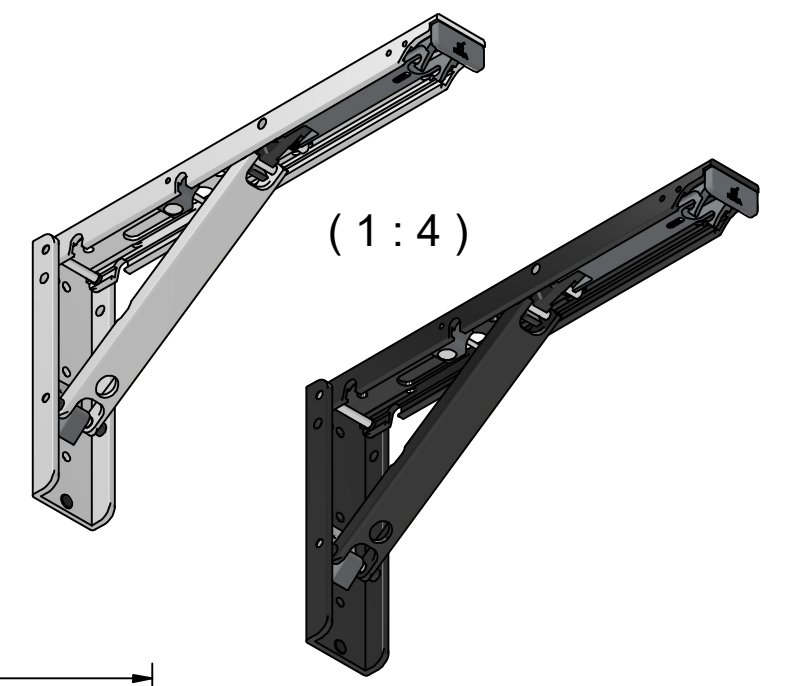
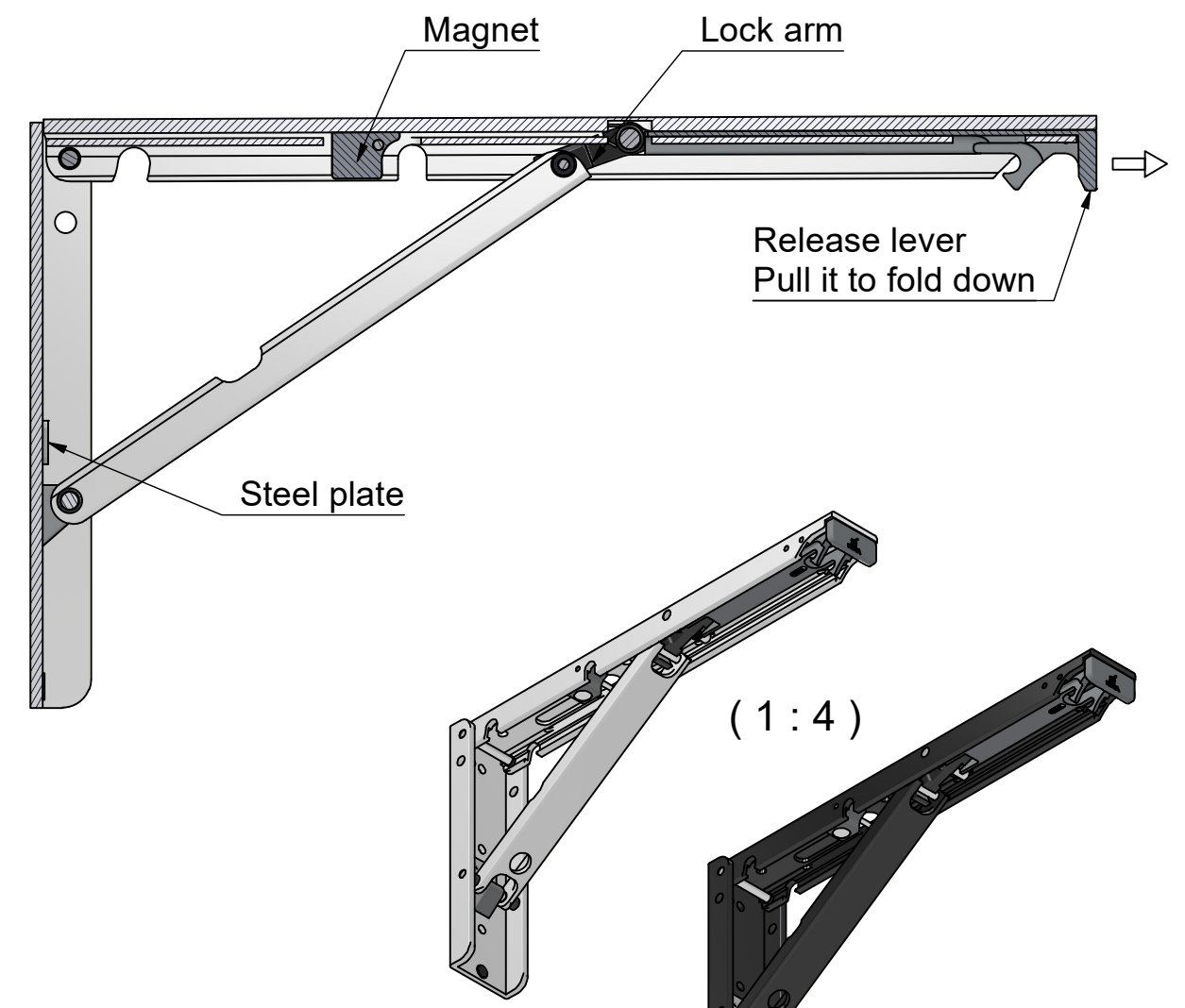


For easier mounting (to reach the screws for wall and table).  
 - Fold the bracket to down position.  
 - Pull the release lever and start to move it to upper position, then the link arm will be released.  
 - Fold the table/shelf and push so the link arm will click into place.  
 When folded down, the magnet will hold the table in closed position.



For one bracket  
 P1 = 80 kg  
 P2 = 40 kg  
 Torque = 120 Nm

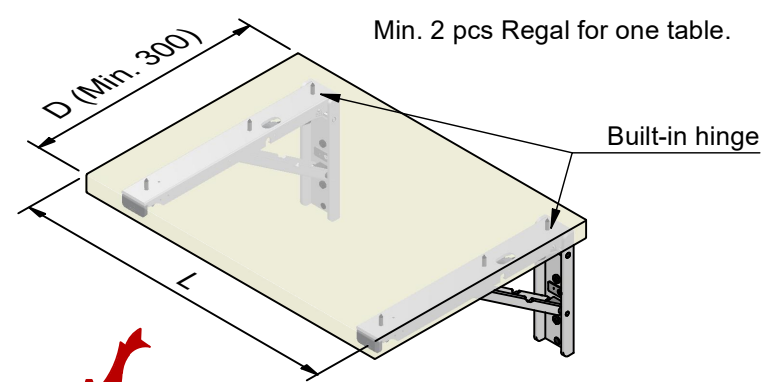


Table				
Item no.	Size	L	Color	Soft
910130	L	299	Natural	No
910131	L	299	Black	No

Aluminum / Anodized	Date
Description	V1 231026/LW
<b>REGAL L</b>	Item no.
	<b>910130-0131</b>