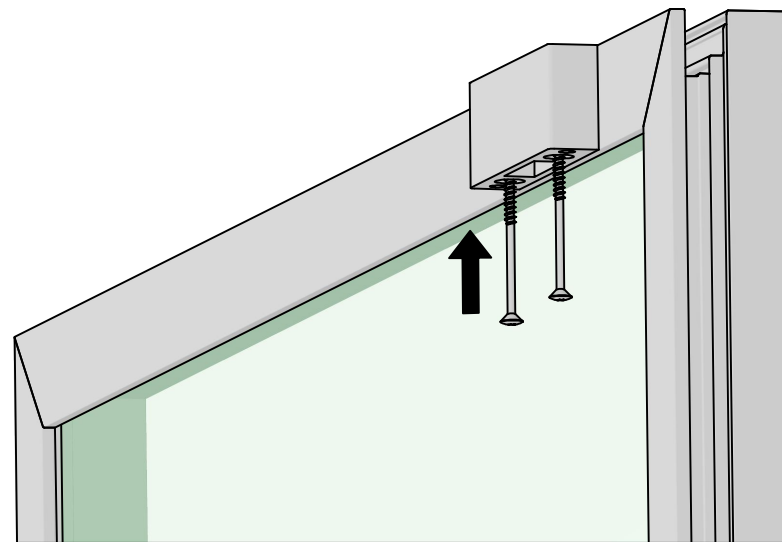
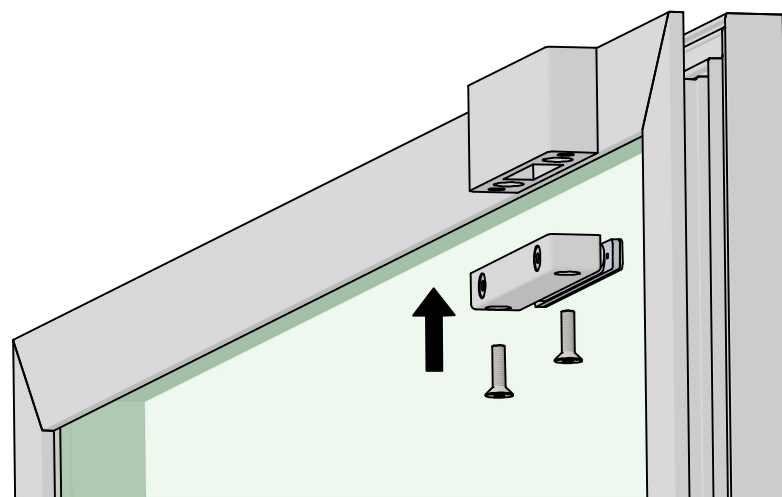


1. Attach Edge adapter with screws to ceiling.

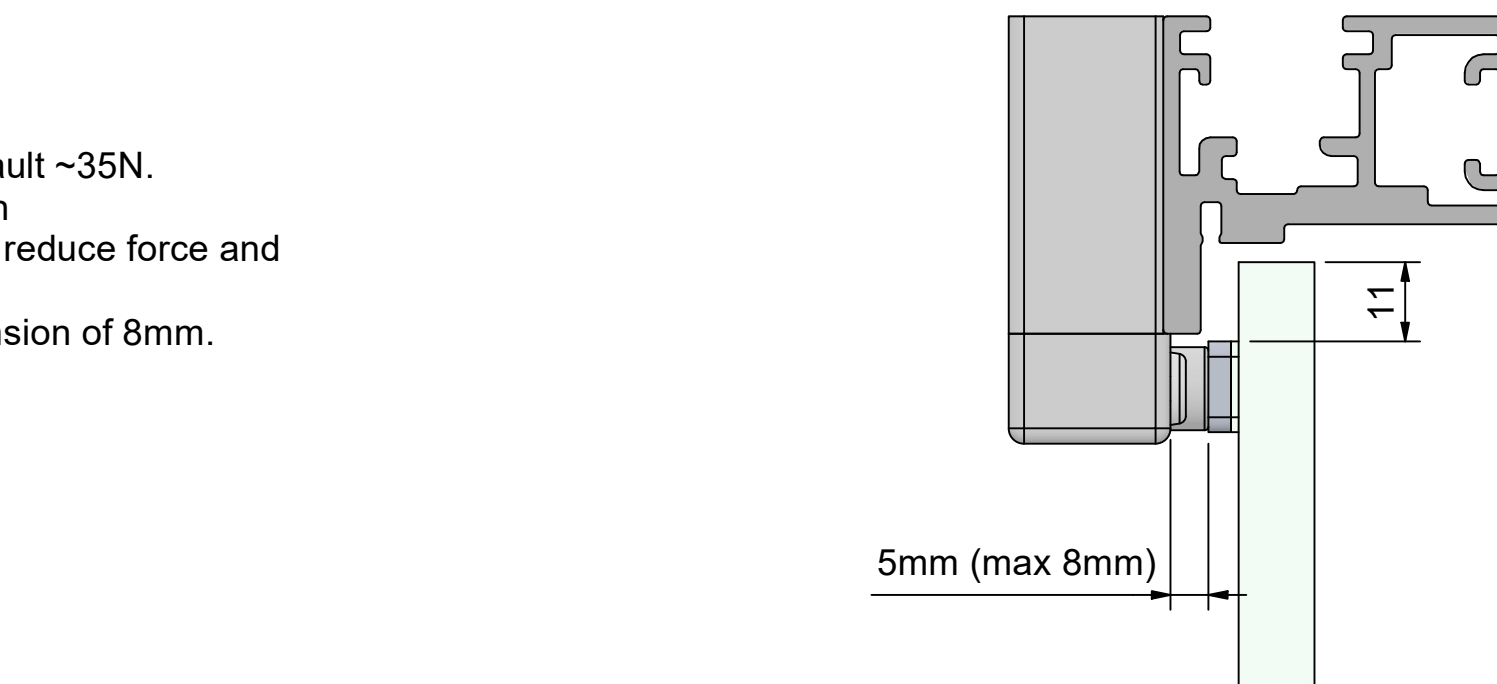


2. Attach RG-595 magnet to Edge adapter.

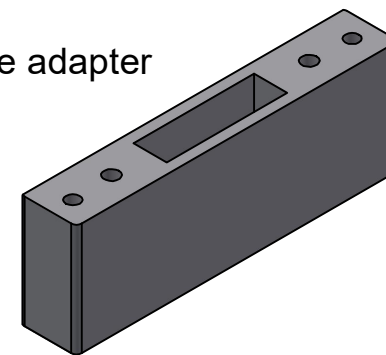


3. Attach magnet plate to glass door, in line with magnet, min.11mm from the glass edge.

Important! follow tape instruction: application UHB from Sikab, the glass must be absolutely clean and tape has to rest before any force is applied.

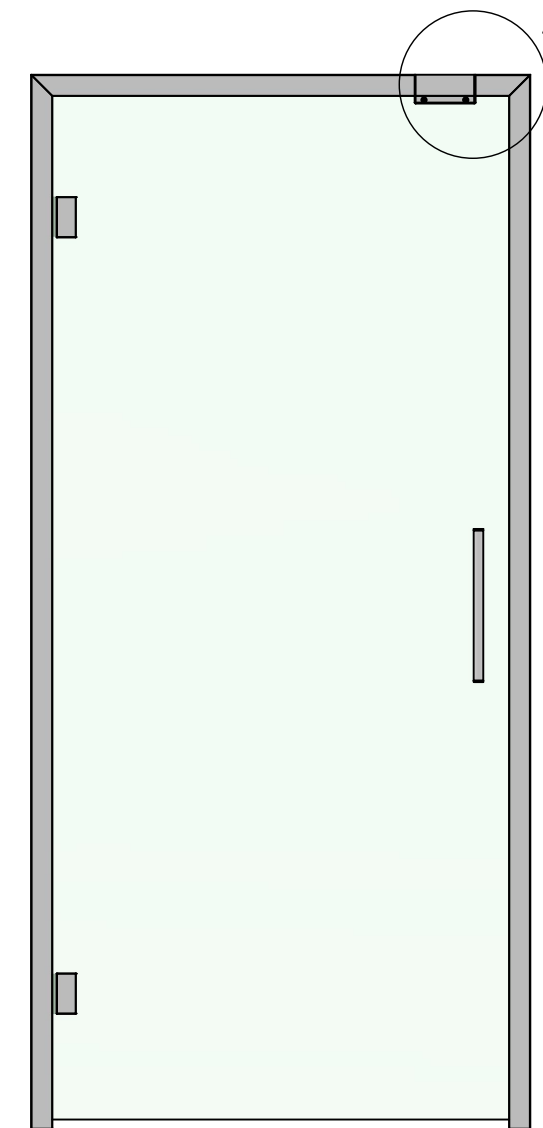
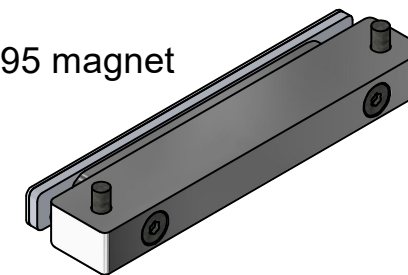


Edge adapter



+

RG-595 magnet



The magnetic holding force is by default ~35N.
To change magnetic force adjust both screws equally; tighten the screws to reduce force and unscrew to increase.
Note: do not exceed maximum dimension of 8mm.

