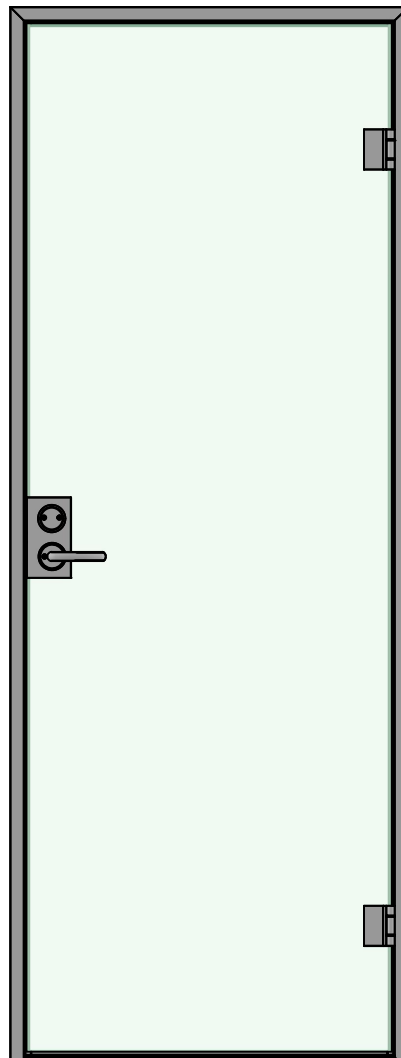
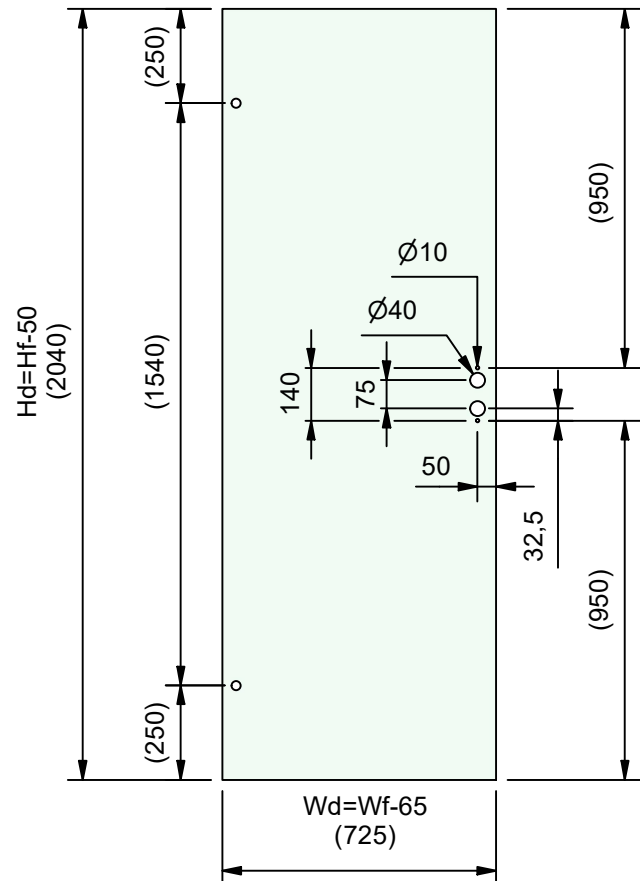
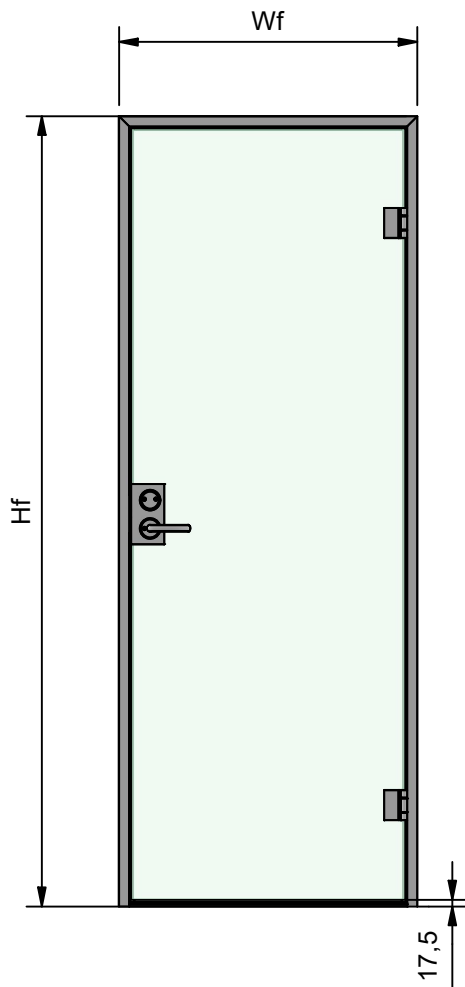




## Decibel Edge door Installation manual

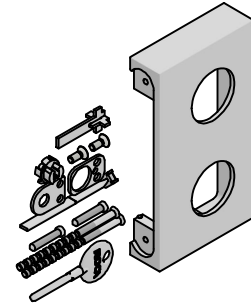
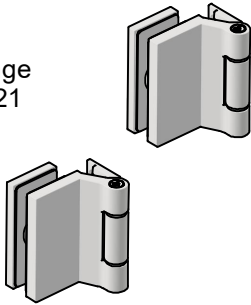




Hd = Height of door  
 Hf = Height of frame  
 Wd = Width of door  
 Wf = Width of frame

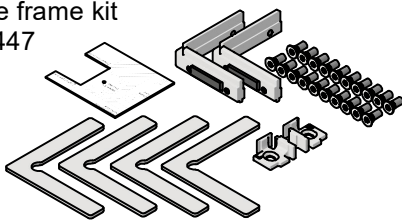
Glass door measures  
 Measurements inside  
 parenthesis =  
 standard door 8x21

Edge hinge  
865420/21

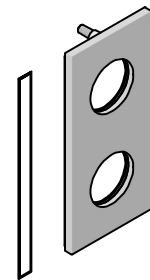


Edge lock fitting  
865424/25

Edge frame kit  
865447

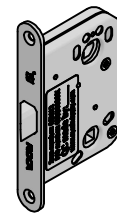
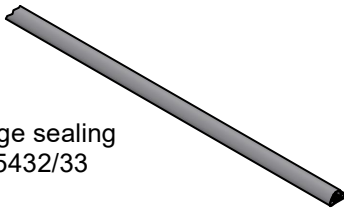


Edge door frame  
865401-12



Edge lock cover  
865428/29

Edge sealing  
865432/33

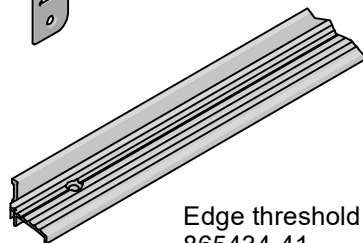
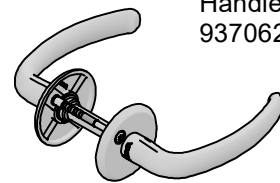


Lock case Easy  
862112

Strike plate RG-448  
860860



Handle LH-6400/30  
937062/63



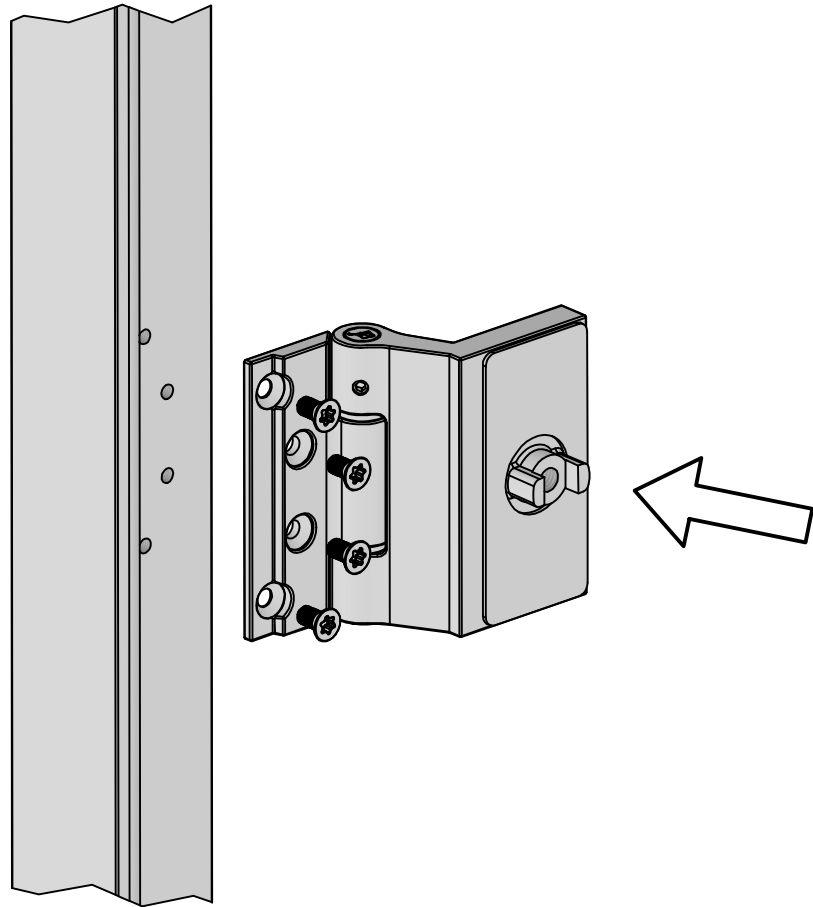
Edge threshold  
865434-41



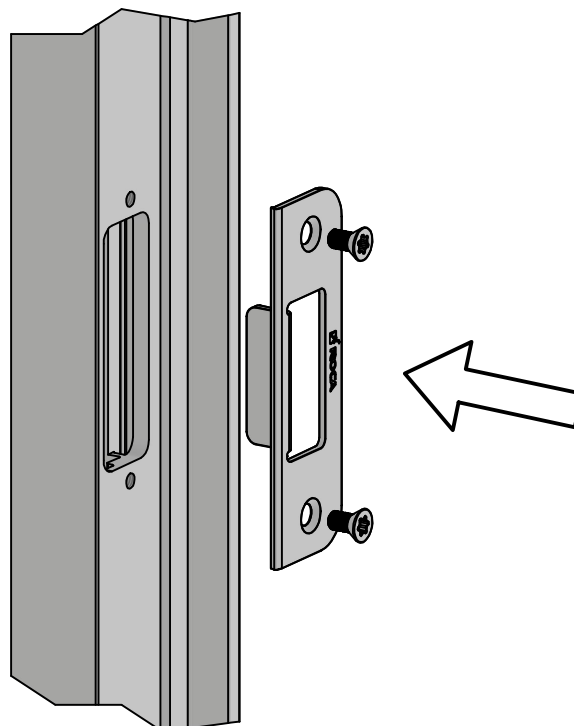
Blind rosette 4265  
939263/65

Attach the hinge with  
M5 screws (4pcs)

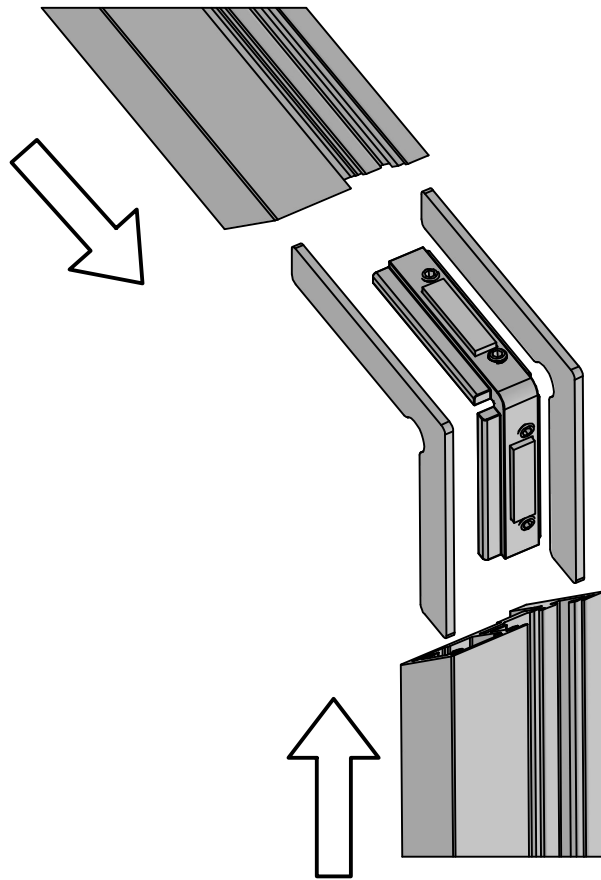
**max 6Nm**



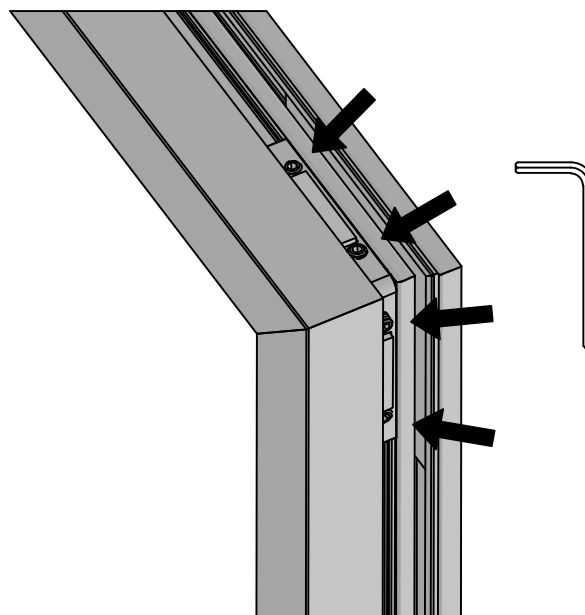
Attach the strike plate  
with M5 screws (2pcs)



Slide the brackets into the frame slots and connect the frame.

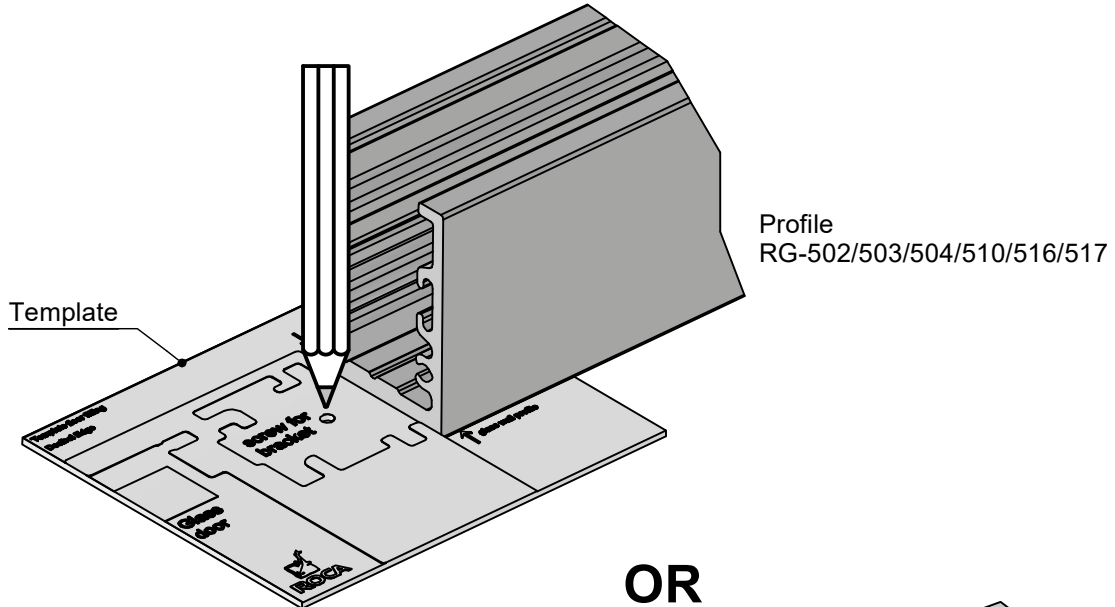
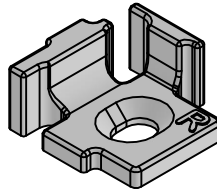


Tighten the set screws.

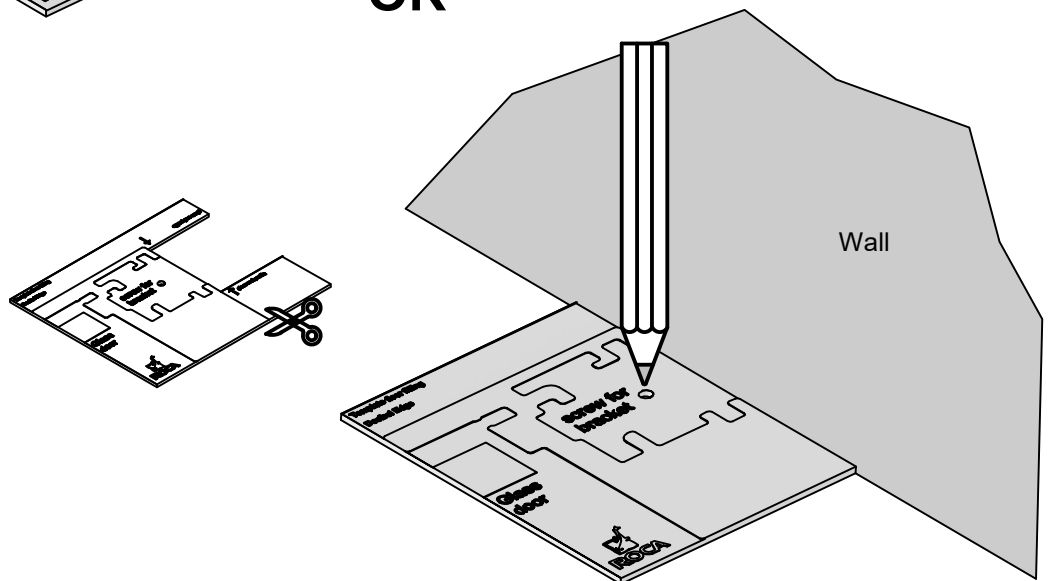


Mounting the floor brackets:

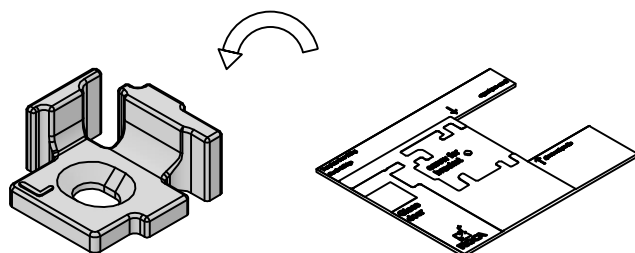
Place the template next to the side profile or wall, mark a hole for the floor bracket R.



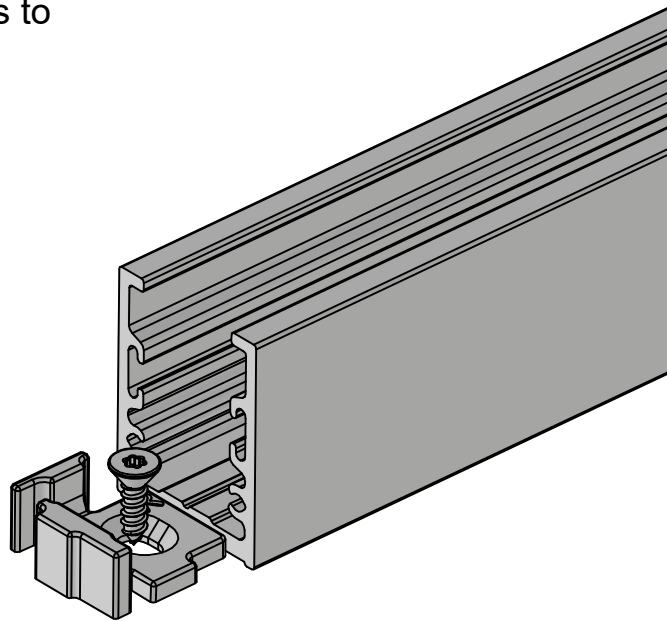
OR



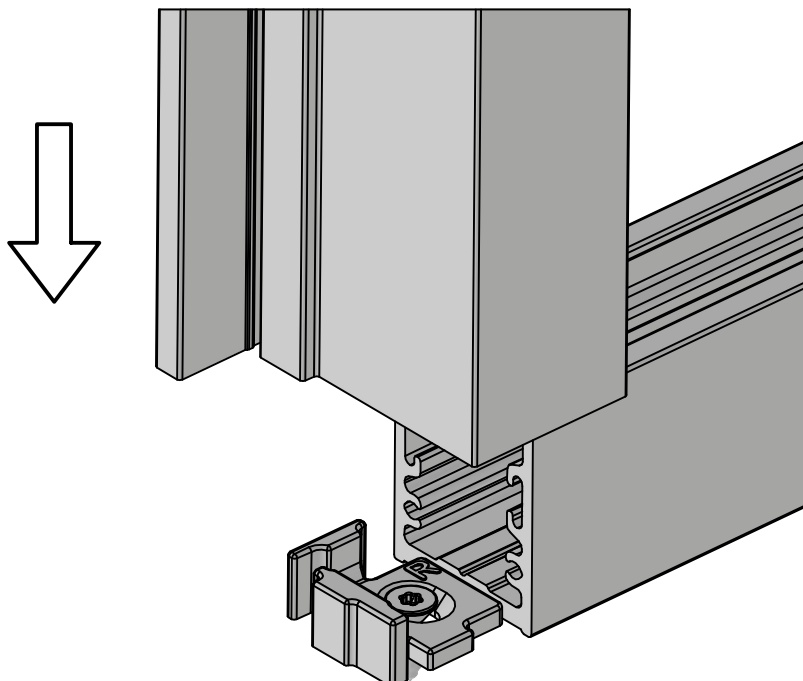
For bracket L - flip the template to the unprinted side. Place the template next to the opposite profile/wall and mark a hole.



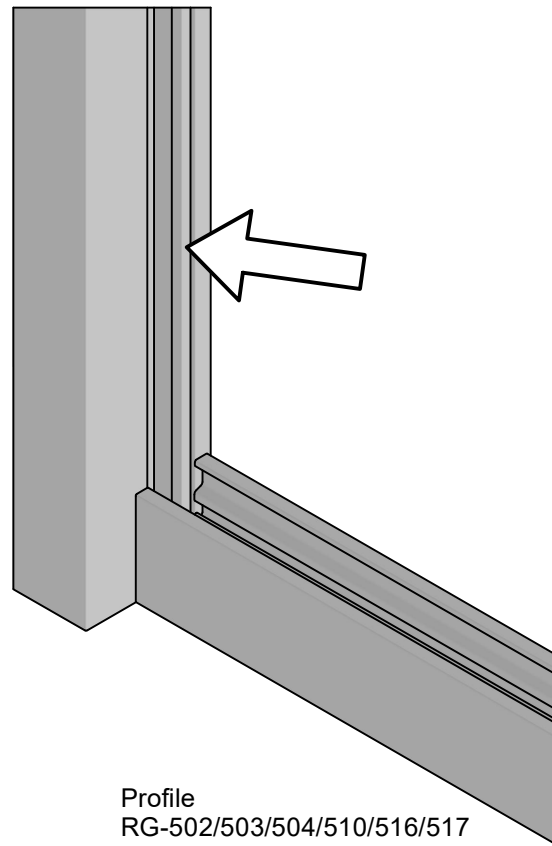
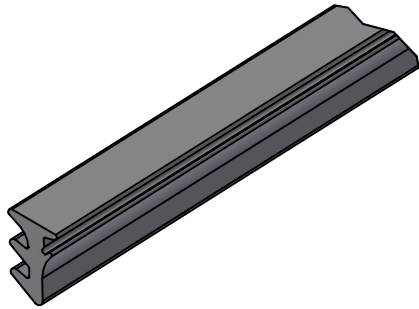
Attach the brackets to the floor.



Fit the frame onto the brackets.



For mounting glass panes use wedge gaskets according to the list.

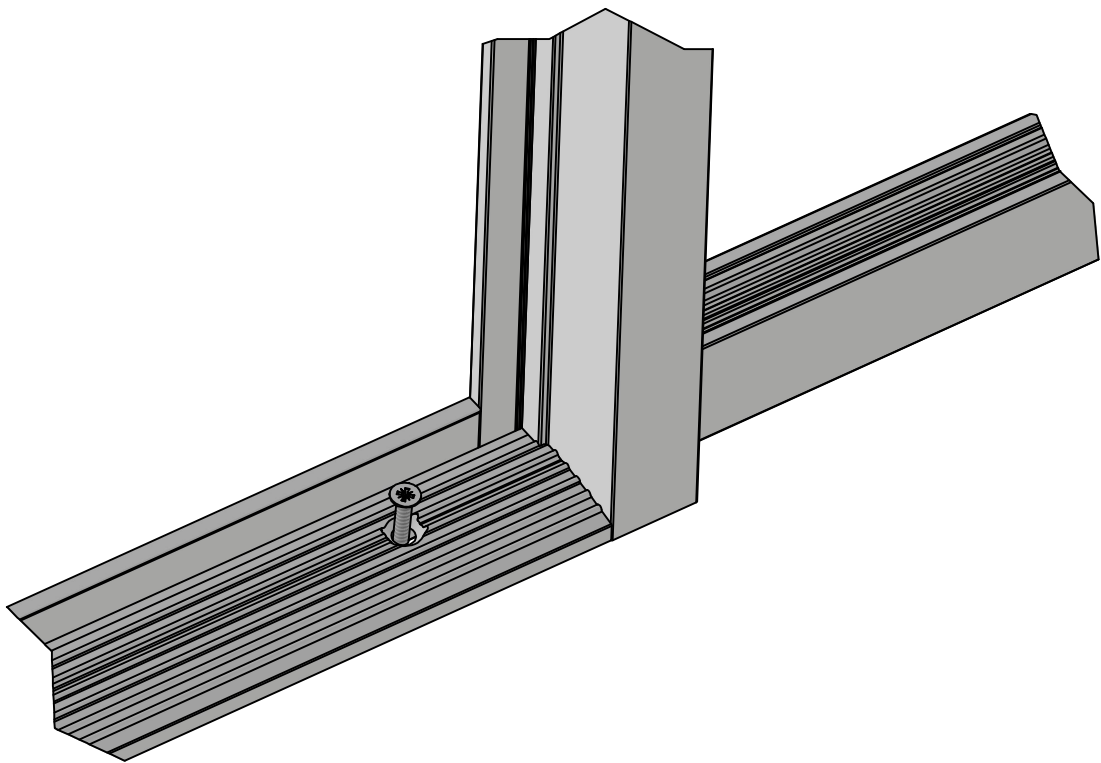
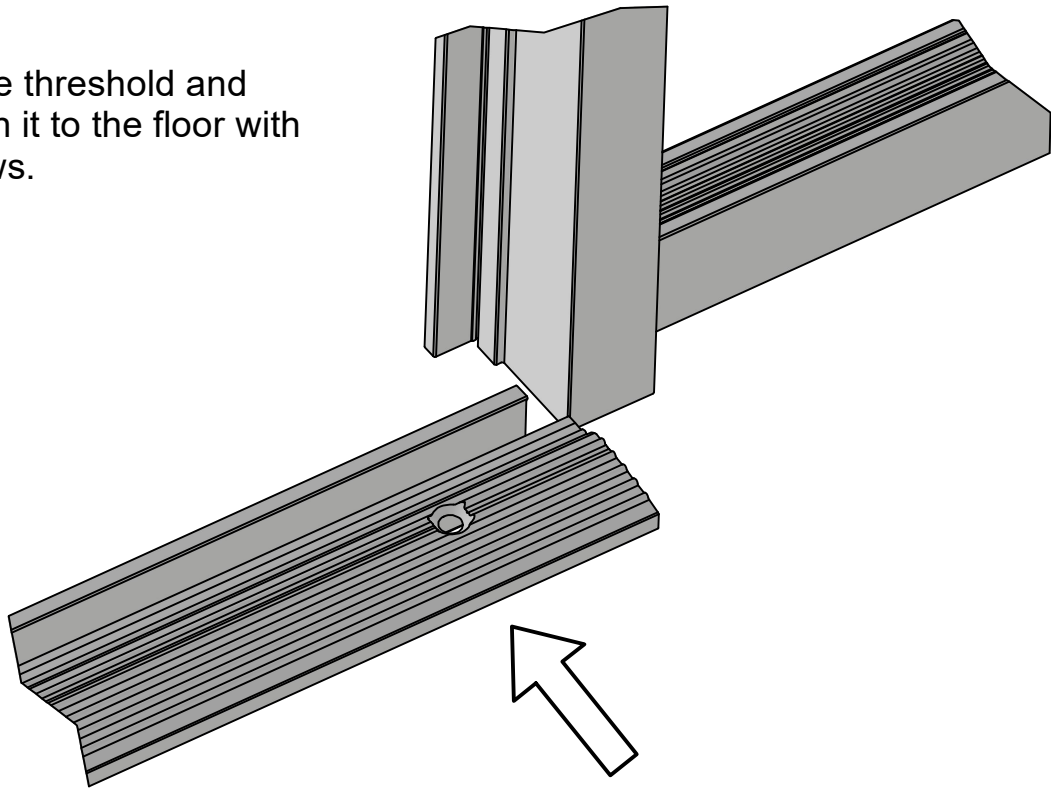


Profile  
RG-502/503/504/510/516/517

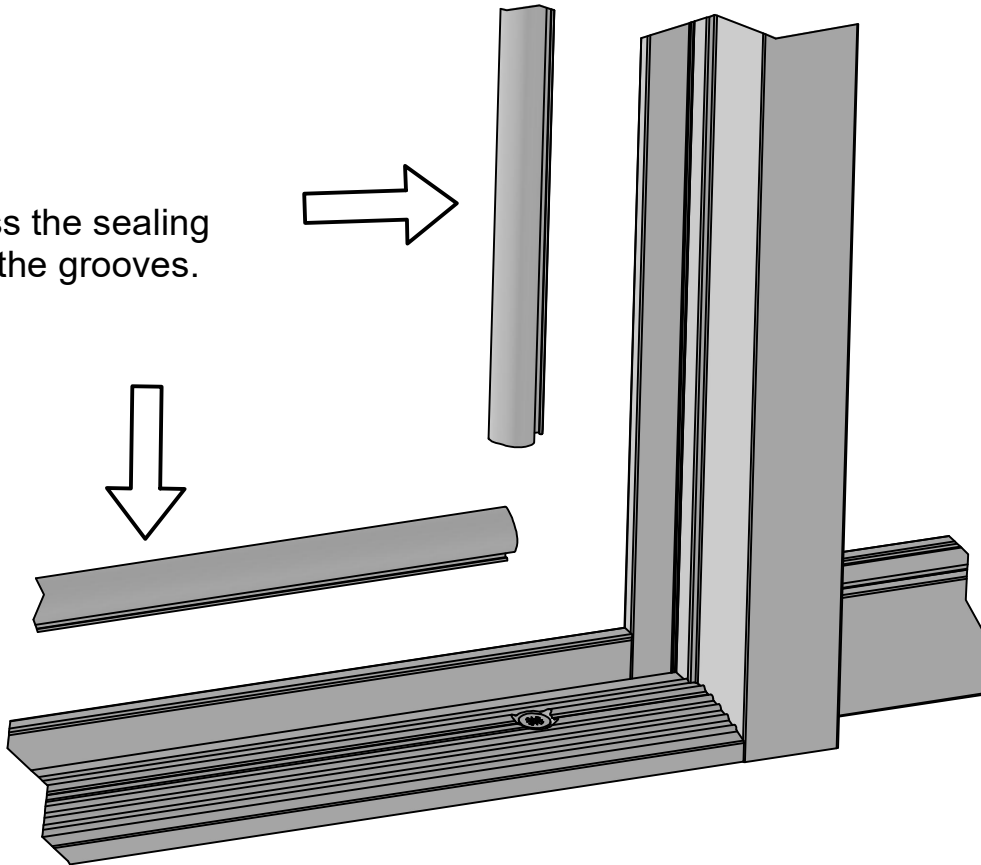
Profile	Glass thickness	RG-521 Wedge sealing				RG-520
		860398 862507	860395 862505	860397	860399 862509	Base sealing
RG-502	8 - 8,76			1		1
	10 - 10,76		1			1
	12 - 12,76	1 + 1				
RG-503/580	8 - 8,76			1		1
	10 - 10,76		1			1
	12 - 12,76	1				1
RG-504	8 - 8,76			1		1
	10 - 10,76		1			1
	12 - 12,76	1				1
RG-502/503/504/516/517/580/Edge	8 - 8,76		1 + 1			
	10 - 10,76				1 + 1	
	12 - 12,76	1 + 1				



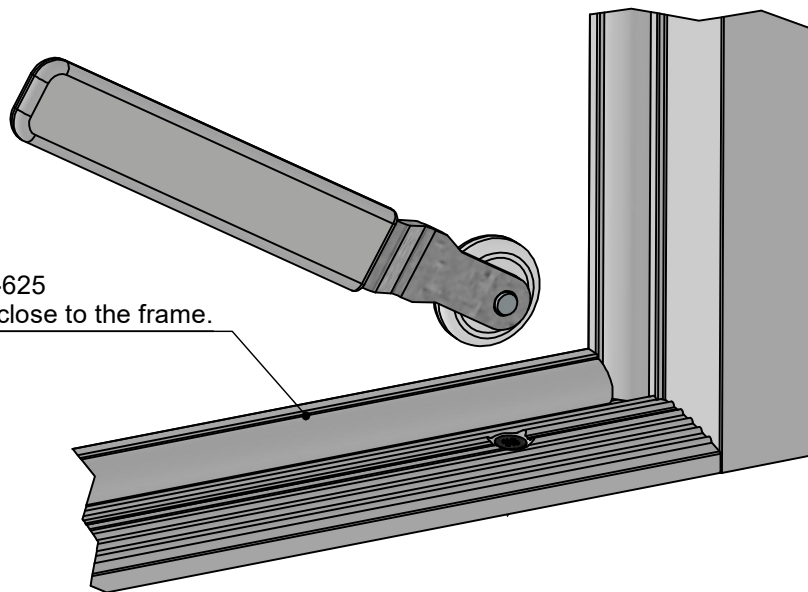
Fit the threshold and attach it to the floor with screws.



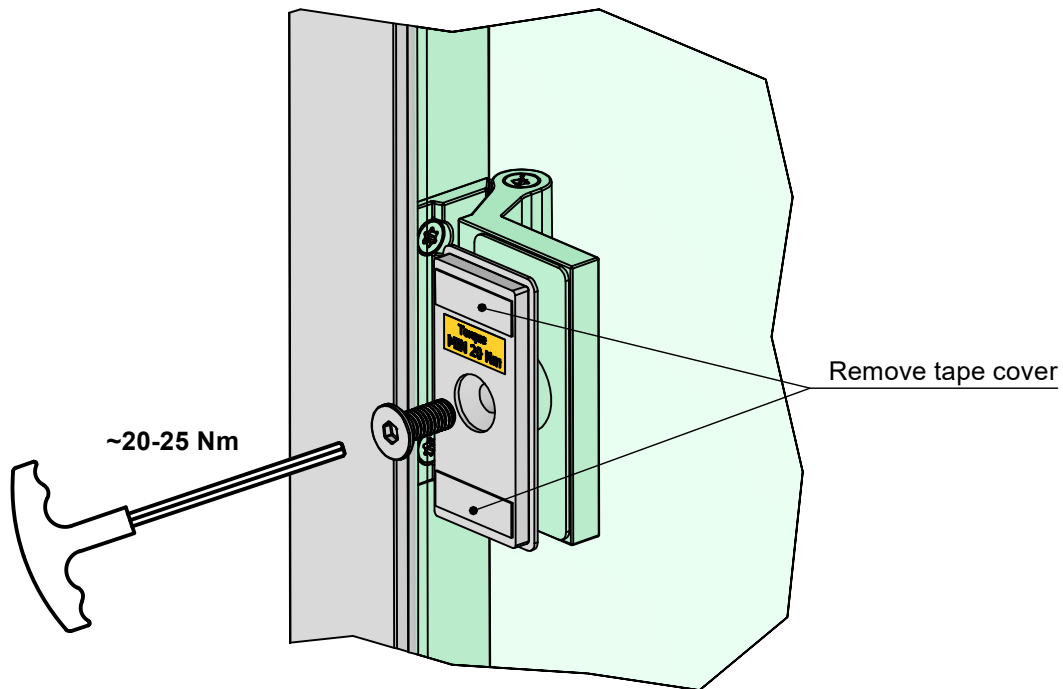
Press the sealing  
into the grooves.



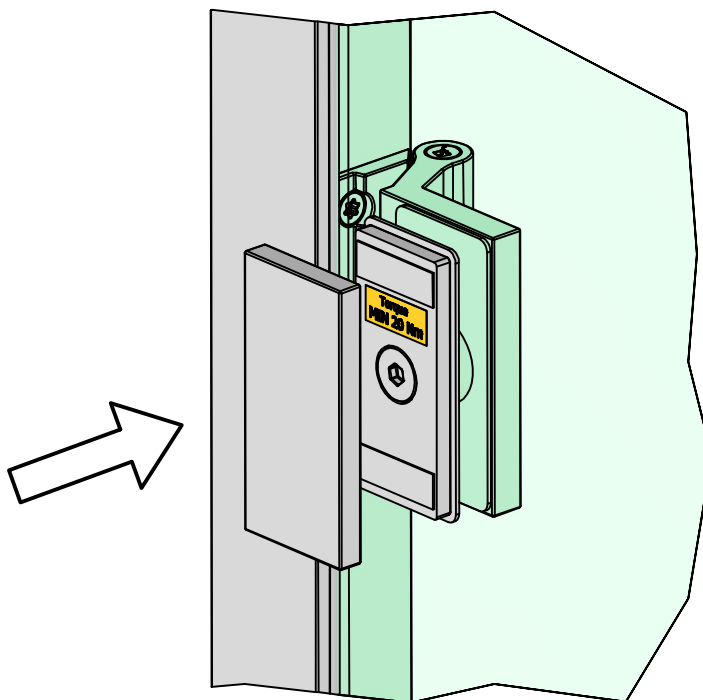
If using mounting tool RG-625  
press behind the sealing, close to the frame.



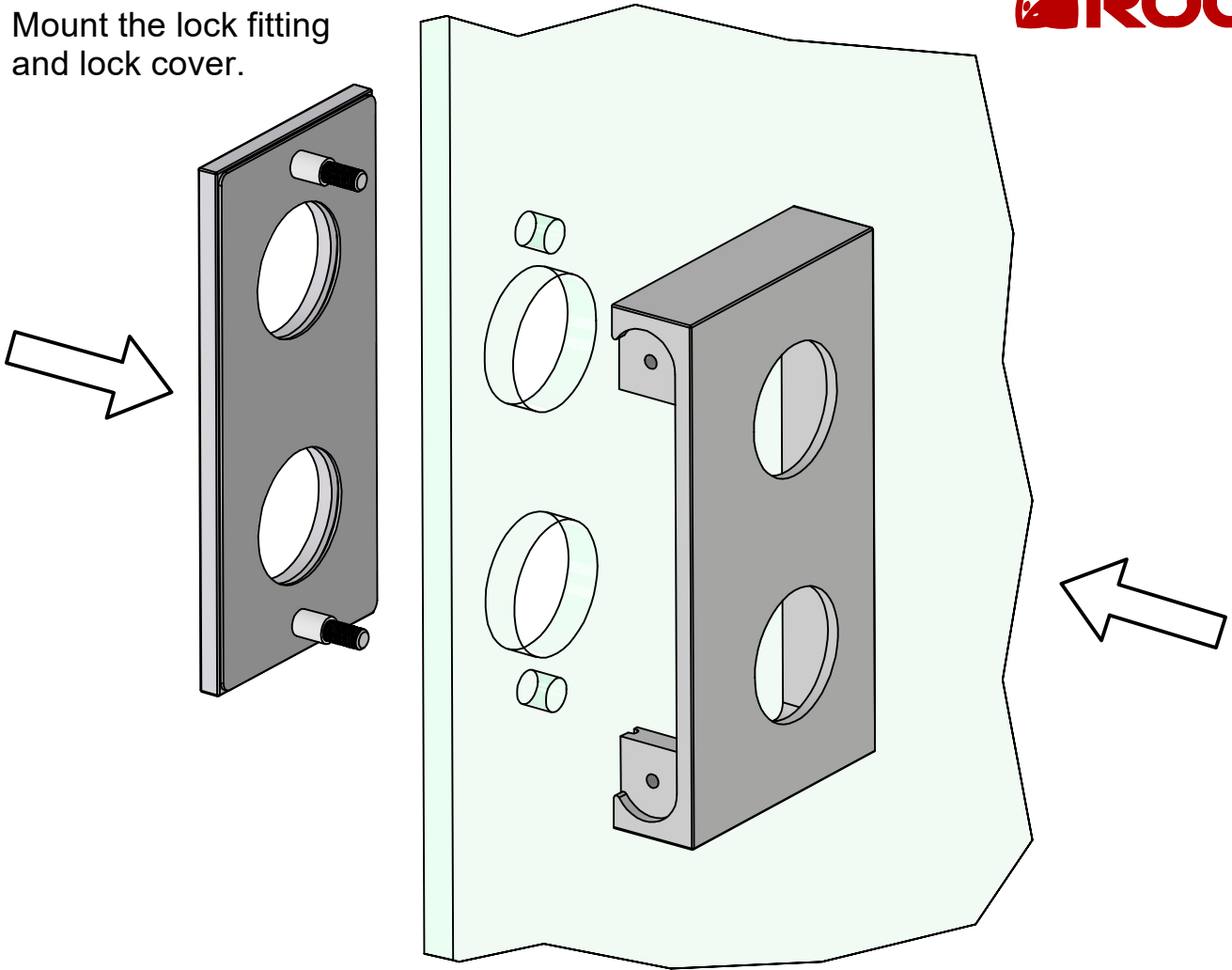
Fit the glass door onto the hinges and use M8 screws to tighten the parts.



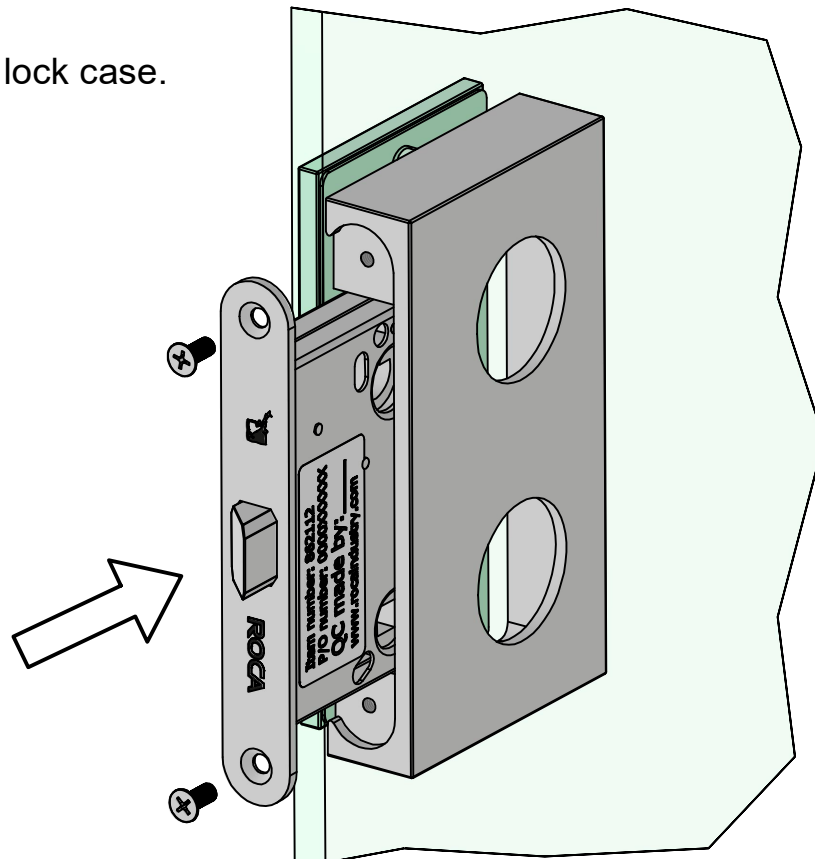
Remove the protecting film from the tape and attach the hinge lock to the hinge plate.



Mount the lock fitting and lock cover.



Mount the lock case.



Attach the handle and rosette.

