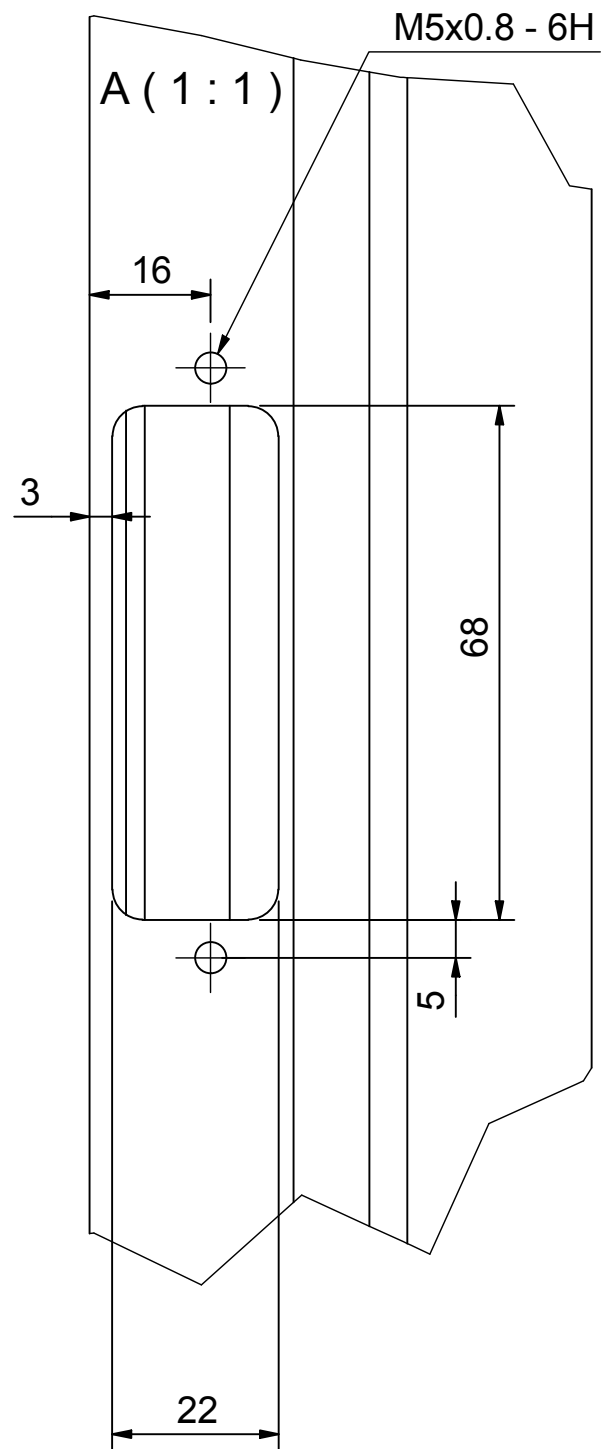
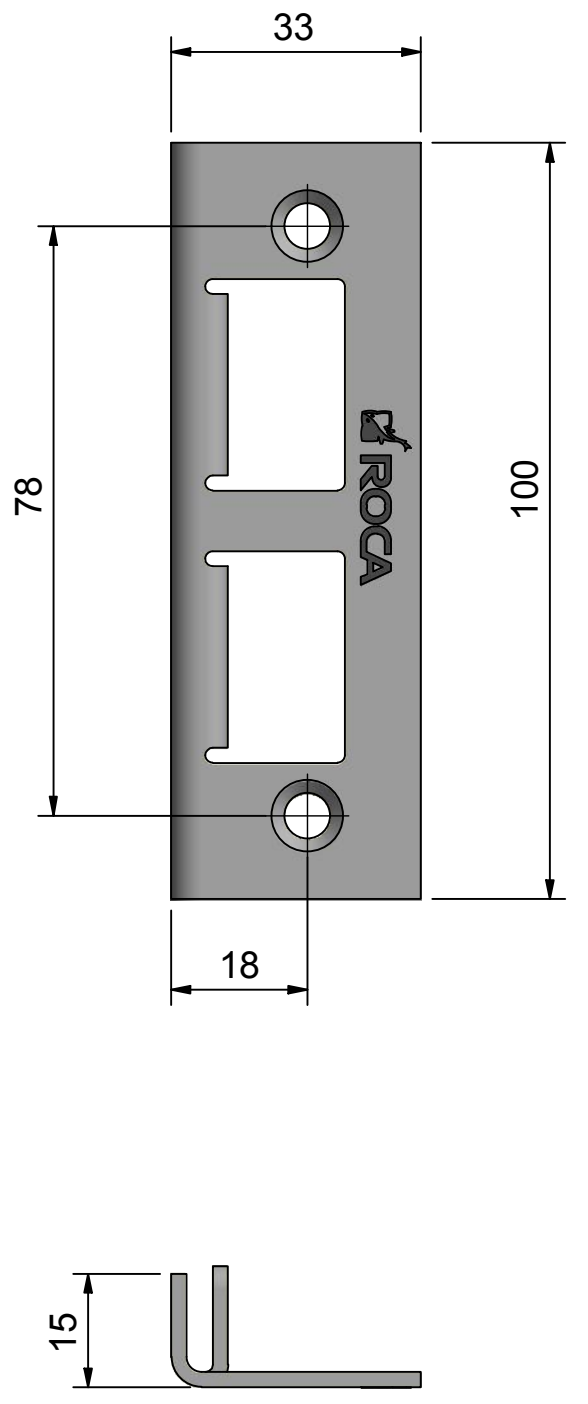
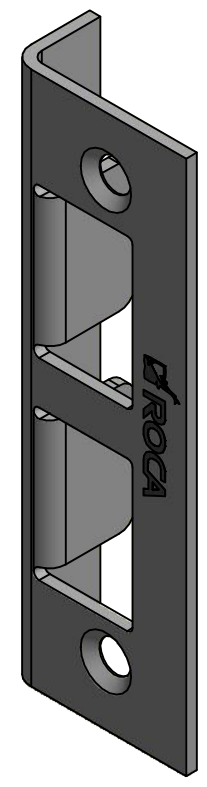
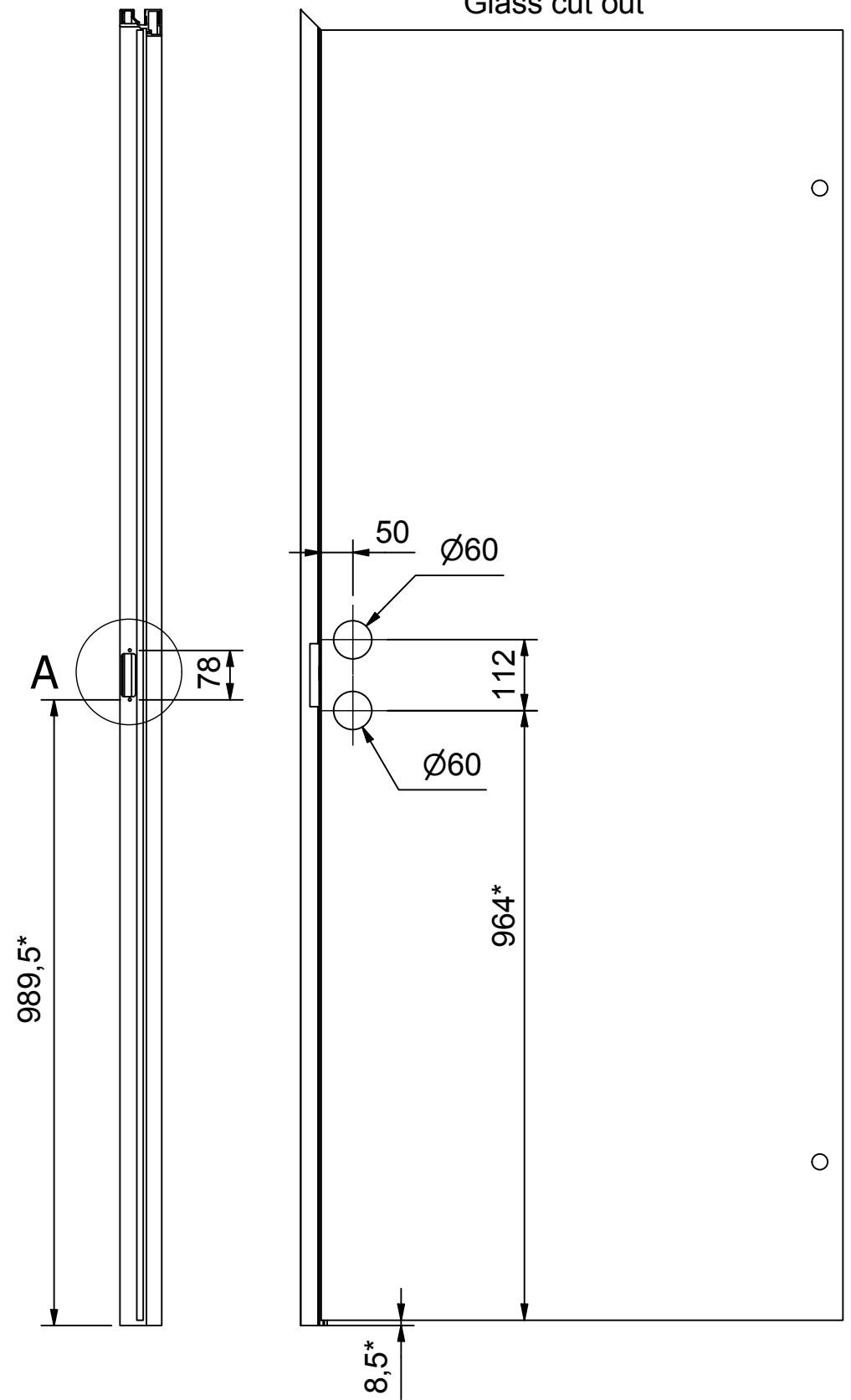


Cut out in frame



Drawing shows right-hung door. Left is mirror turned. Strike RG-472 can be used for both left and right-hung door. Strike RG-472 is used together with lock case holder RG-470 and ASSA type 565 module lock case.

Glass cut out



*Dimensions suitable for standard height of lock case position and 10mm gap under door (8,5mm + fittings RG-582 1,5mm)