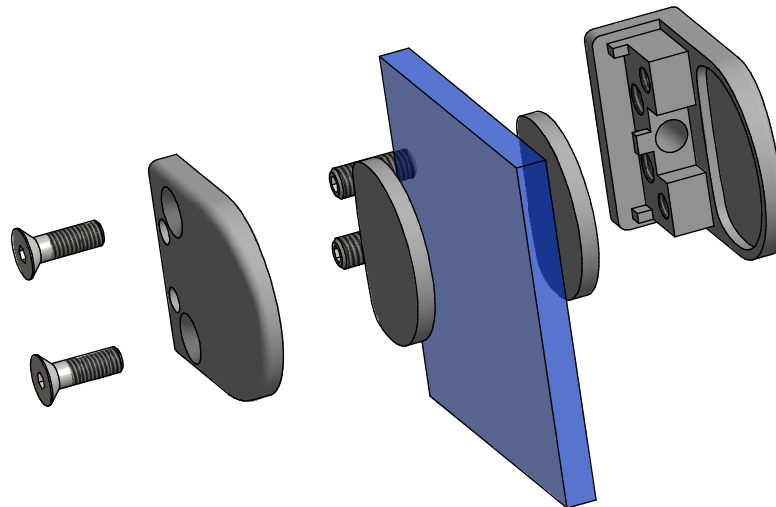
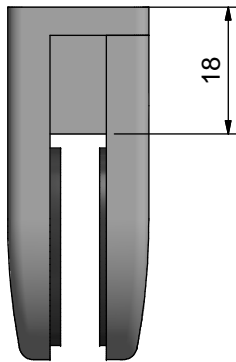
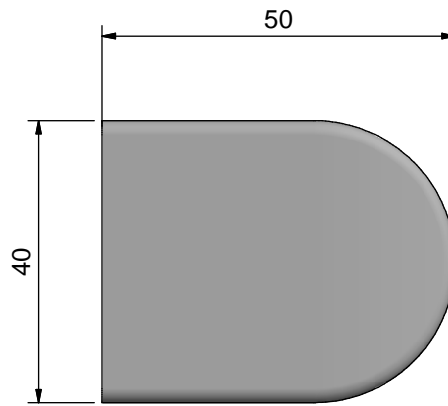
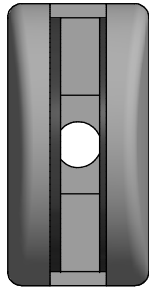


Accepted glass thickness 6-8



Surface treatment	Item No.
Untreated	860100
Painted White (RAL 9010)	860101
Painted Grey (RAL 9006)	860102
Chrome Plated	860103
Satin Nickel Plated	860104

Glass Clamp 40x50	V1 121009/EM
RG-840	