

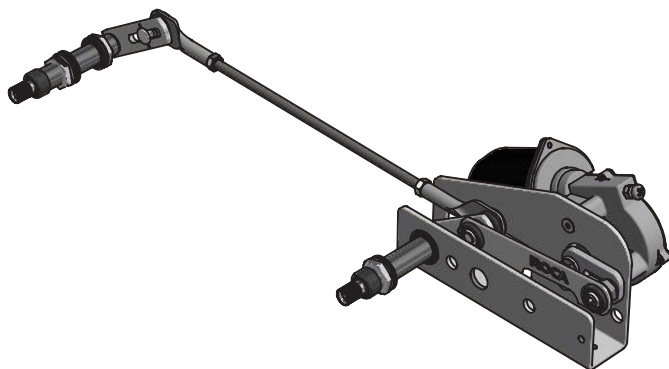


ROCA

WIPER MOTOR | W38L

Installation Instructions

Before installation please read these instructions.



For overlap sweeps



- 2 Speed, self-parking
- Heavy Duty motor, 38Nm
- Wipershaft in stainless steel
- Various sweep angle: 45 - 110°
- Dynamic park circuit
- Internal thermoswitch
- Insulated ground
- EMC protected
- Powers up to 610mm / 560mm
Arm / blade combinations

Warning: Keep battery main switch turned off during any operation on the wiper motor.

Installation of the system.

Make sure the wiper system is mounted aligned to the center line.
 Max angular difference for drive shafts is $\pm 5^\circ$.
 Cut the M8 threaded shaft to desired length L4.
 If L4 is longer than 450mm, use accessory tube 532975 to achieve correct measure.
 After mounting try to adjust the A3 angle to same as for motor.

Changing the parking position.

Before the parking position is changed, the wiper motor should be in parked position (Default is set to left).

- Loosen the nut (1).
- Remove the bracket (2) and rotate it 180°.
- Assemble the bracket and tighten the nut firmly.

Change of wiped angle A1.

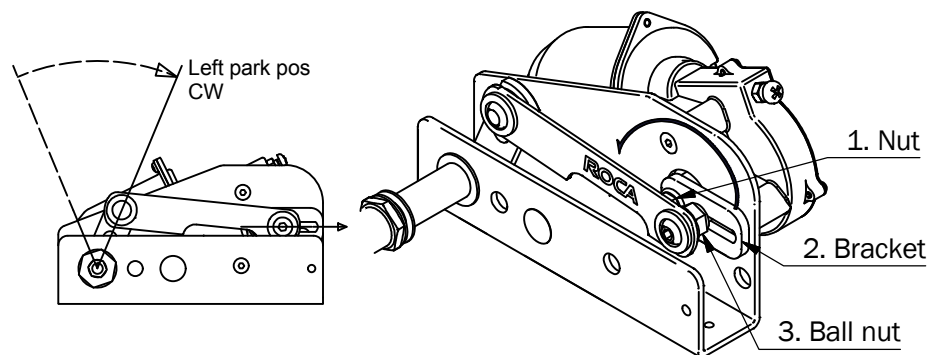
The wiped angle can be set at any point between 45° and 110°.
 (Default is set to 45°).

- Loosen the ball/nut (3).
- (Note: the ball/nut is left threaded to prevent it from coming loose when running).
- Move the ball/nut to desired angle position and tighten it firmly.

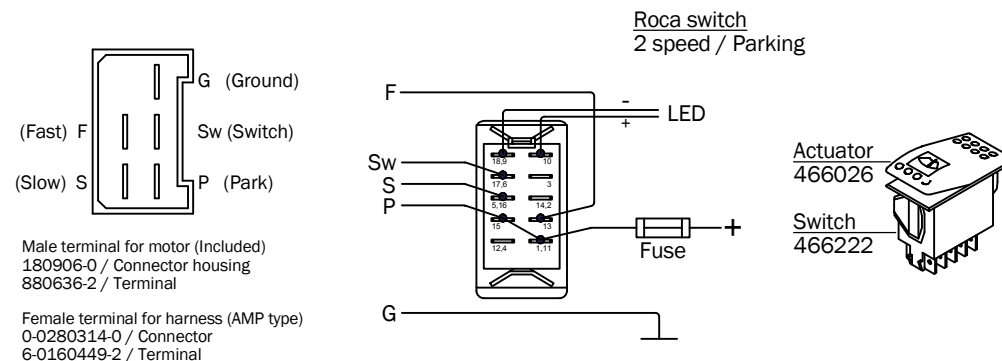
Changed of wiped angle A2

The wiped angle will follow A1 but can be adjusted $\pm 35^\circ$.
 Consider that the sweep angle shouldn't exceed 110° and A3 not below 30°.

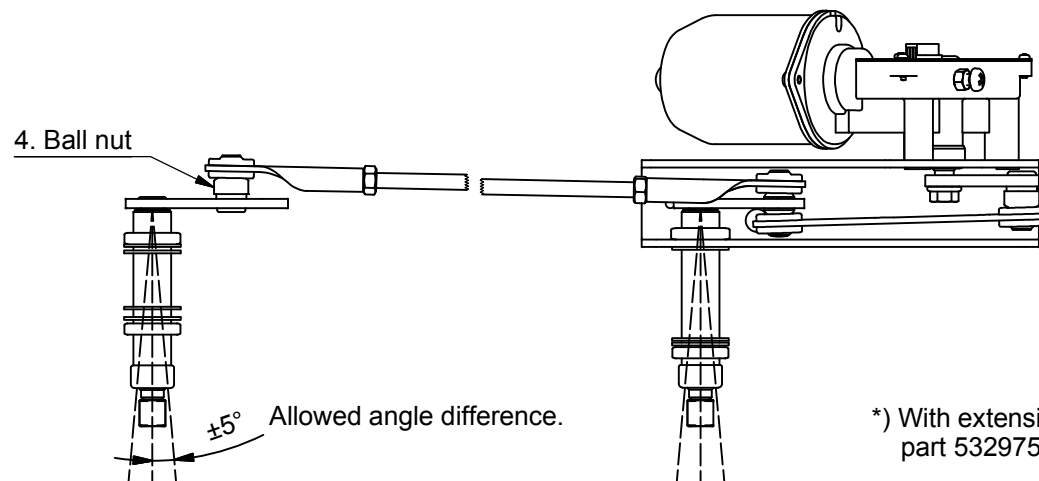
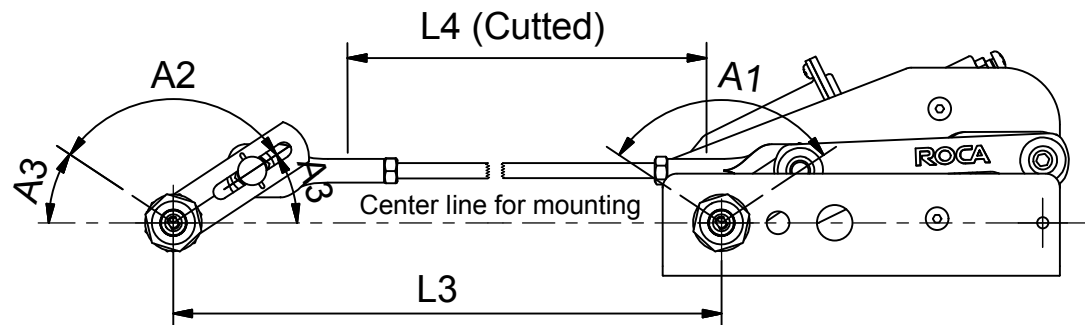
- Loosen the ball/nut (4).
- (Note: the ball/nut is left threaded to prevent it from coming loose when running).
- Move the ball/nut to desired angle position and tighten it firmly.



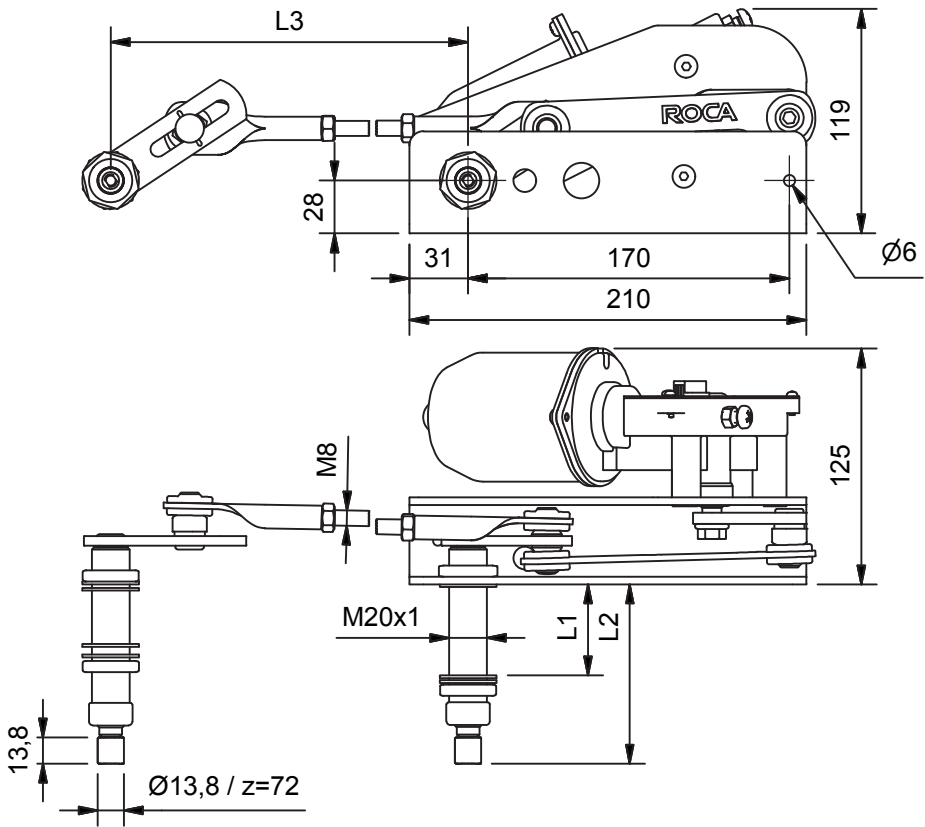
Wiring diagram / For other alternatives, see W38 manual



L3	L4	A1	A2	A3
160 - 450 (750)*	L3 - 100	45 - 110°	10 - 110°	>30°



*) With extension part 532975



Accessories

-  Extension tube 532975
-  Wiper arm - Std (W12)
-  Wiper arm - Adjustable tip (W12)
-  Wiper arm - Pantograph (W12)
-  Wiper blade (W12)
-  Wiper control (W38)
-  Switch (W38)

Variations:

Max length:		Voltage input:	
L1	L2	12 V	24 V
28	70	532911	532912
53	95	532921	532922

Current diagram:

	12 V	24 V
No load	< 3 A	< 2 A
Normal running	< 7 A	< 4 A
Stall	< 36 A	< 18 A
Fuse	35 A	20 A

Limited warranty

- Roca warrants the wiper motors to be free from defective material and workmanship for a period of 3 years from the date of purchase.
- This warranty does not apply to failure or damage caused by improper installation, misuse, lightning strike or damage from a power surge.
- If failure occurs during this period, return it to your dealer for repair or replacement.