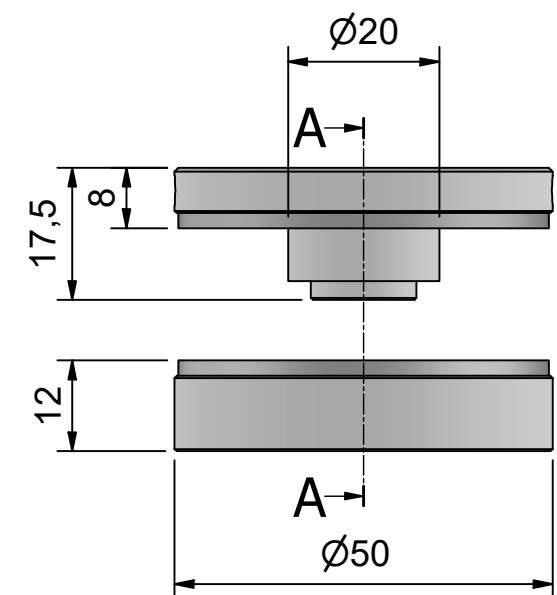
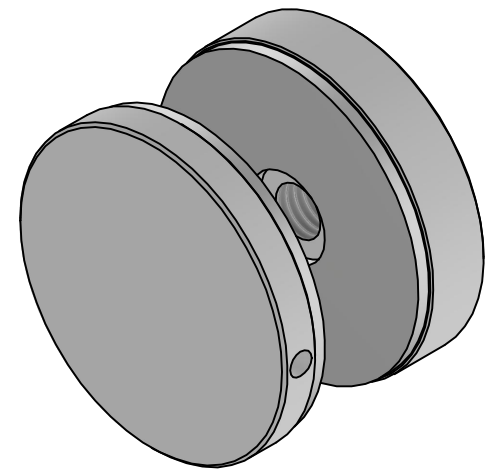
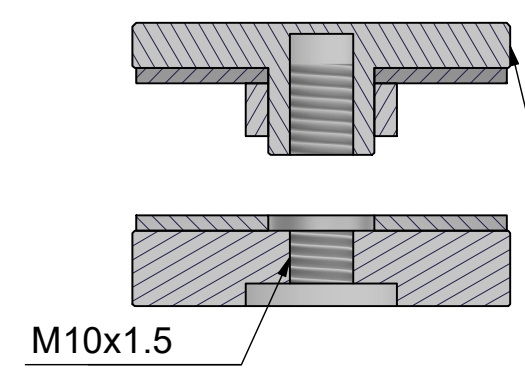


861545 / 861565



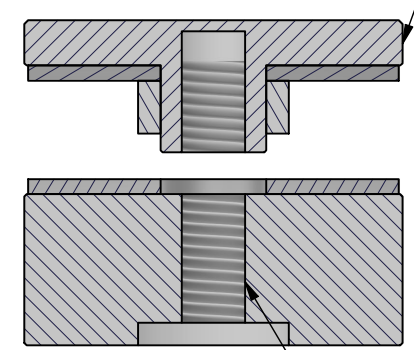
A-A (1:1)



M10x1.5

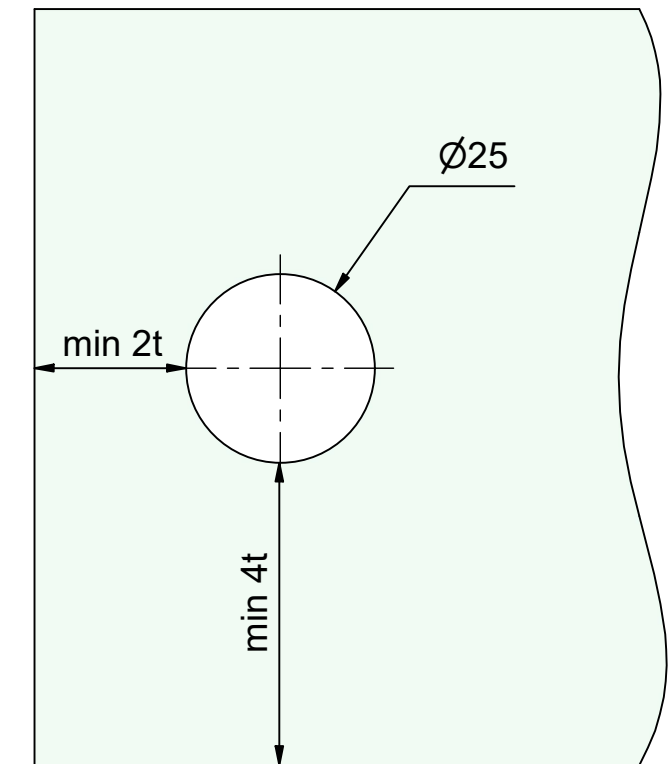
Attach cover with MIN 4 total turns to RG-193 or 194

B-B (1:1)



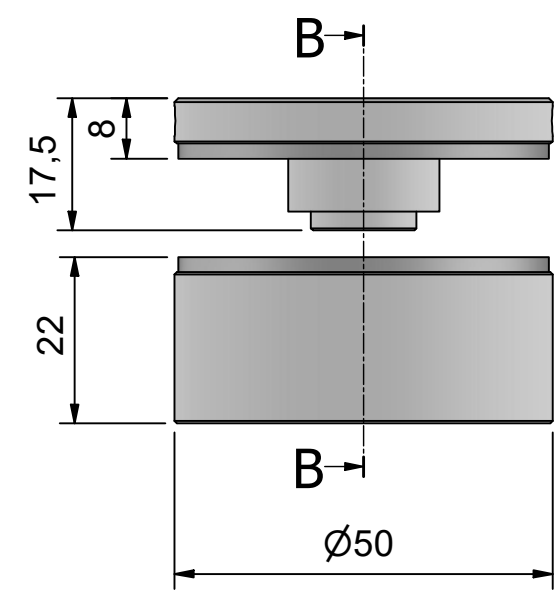
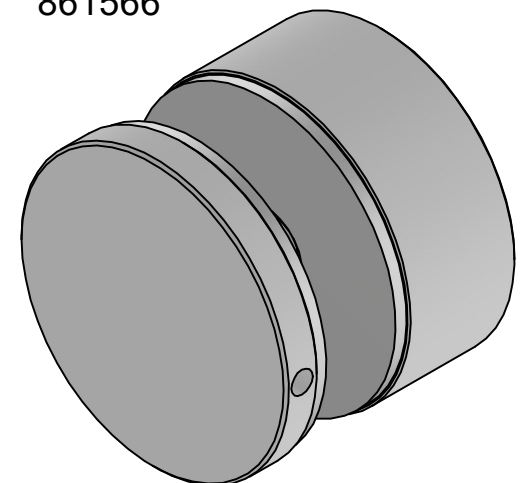
M10x1.5

Recommended glass thickness 8-16mm

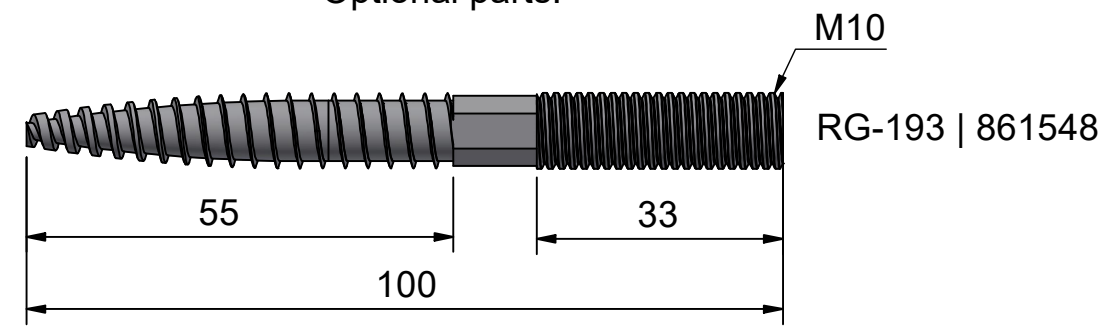


t=glass thickness

861566

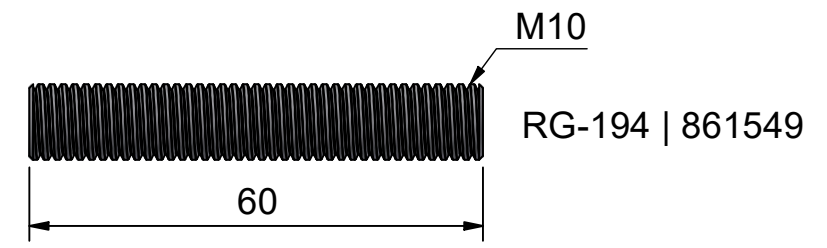


Optional parts:



M10

RG-193 | 861548



M10

RG-194 | 861549

