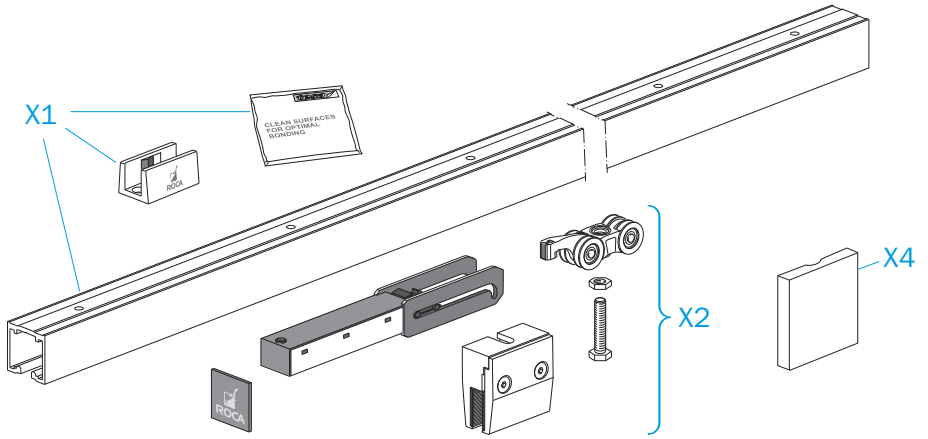


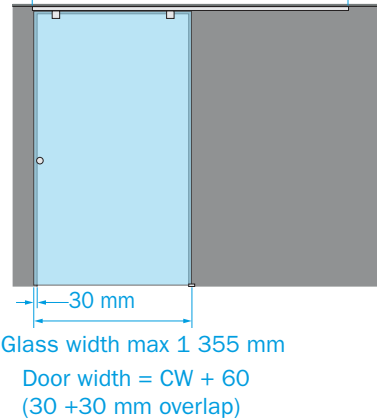
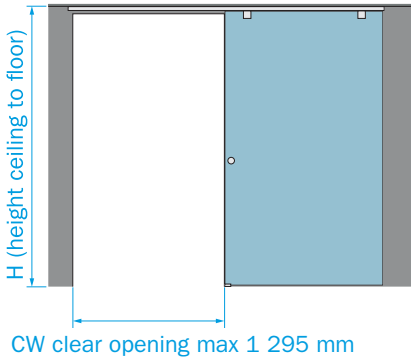
# ROCA Soft Compact RG-320

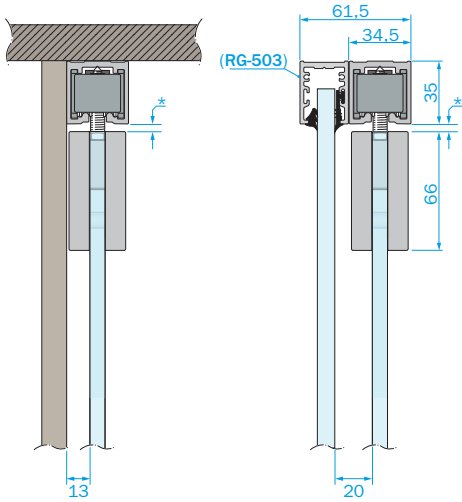


MAX Height-Width  
 Ratio of the door is 2,5:1  
 MAX door weight = 35 - 65 kg  
 Fits glass thickness 8 - 10 mm

MIN Glass width= 750 mm  
 MAX Glass width= 1 355 mm

Profile standard length = 2 700 mm  
 Length of profile =  $(2 \times CW) + 110$





\* Distance profile to glass.

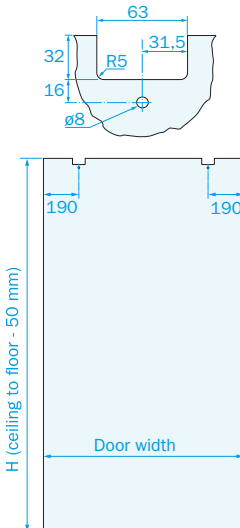
**Alt.1** Def. 2 mm (max 8 mm)

**Alt.2** Def. 34 mm (max 40 mm)

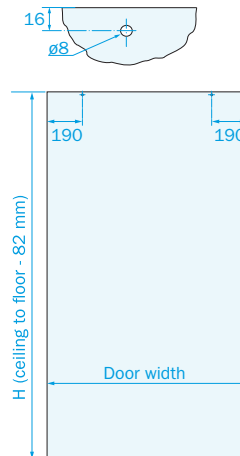
*The default dimensions 2 mm and 34 mm give a distance to floor of 13 mm.*

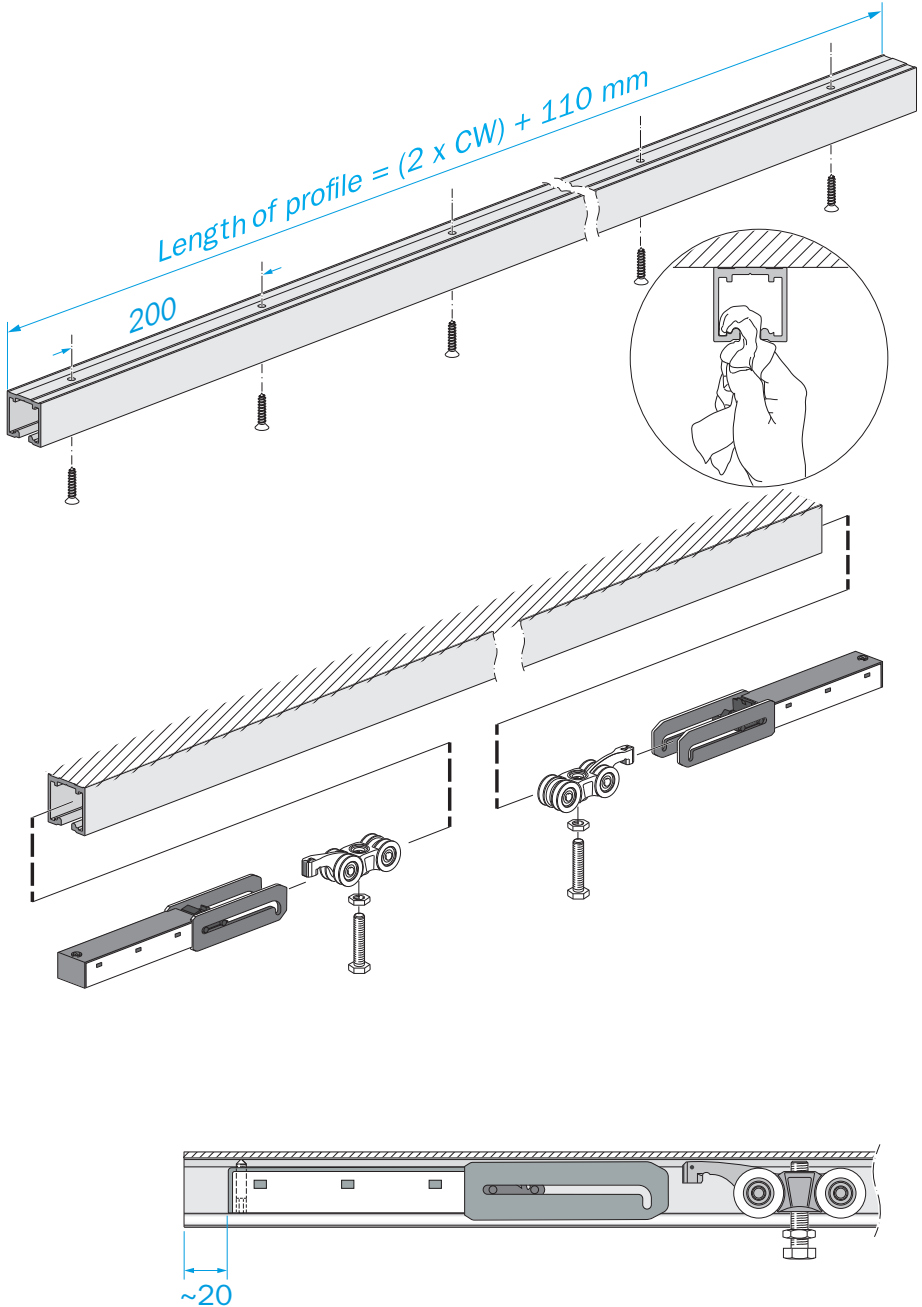
Glass cut out.

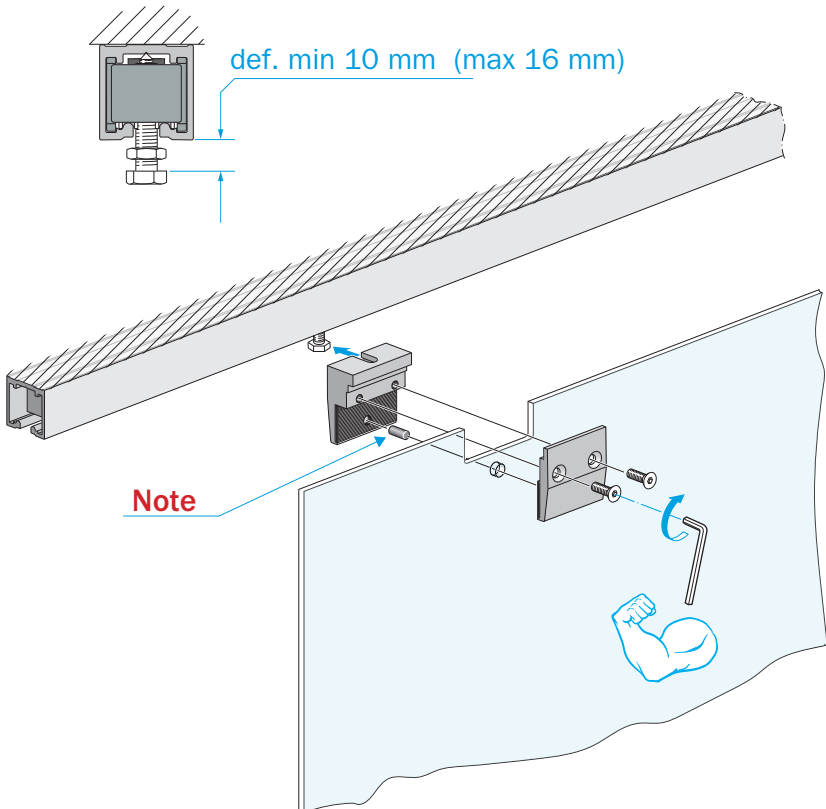
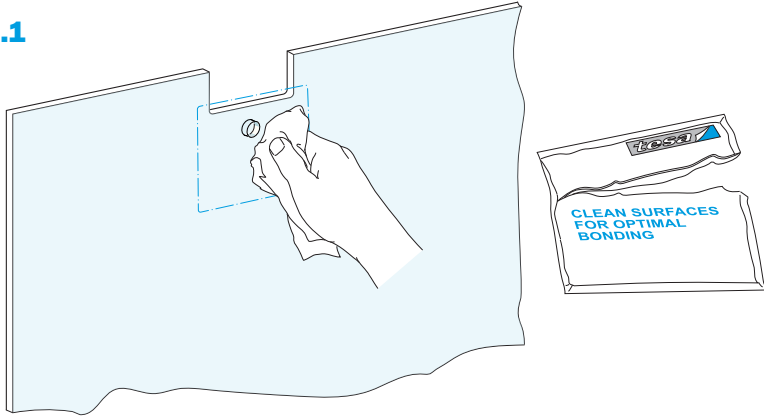
**Alt.1**



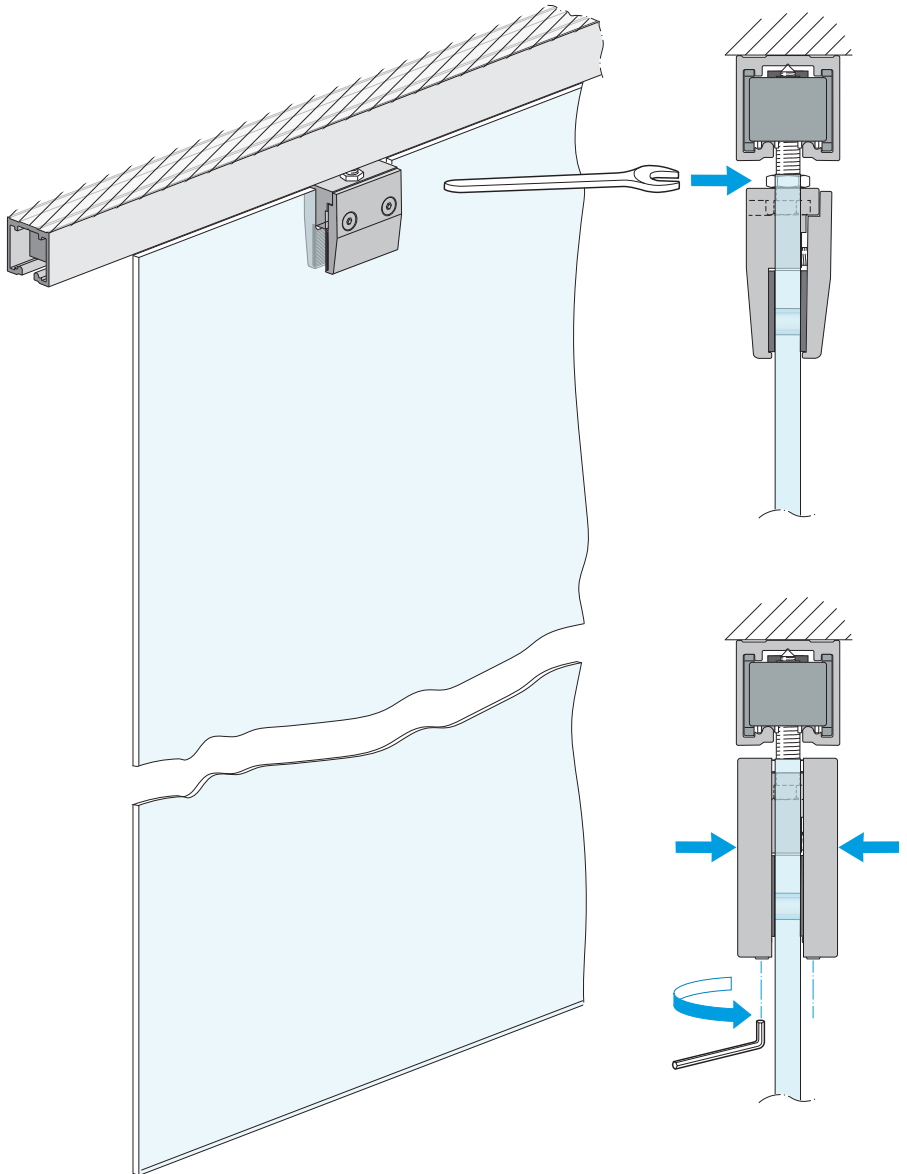
**Alt.2**



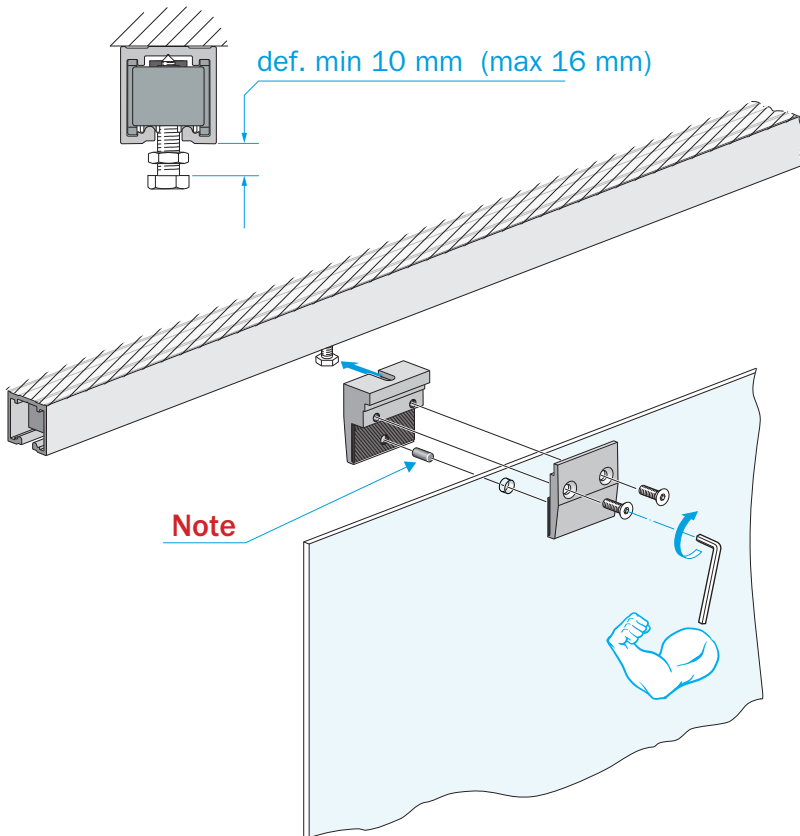
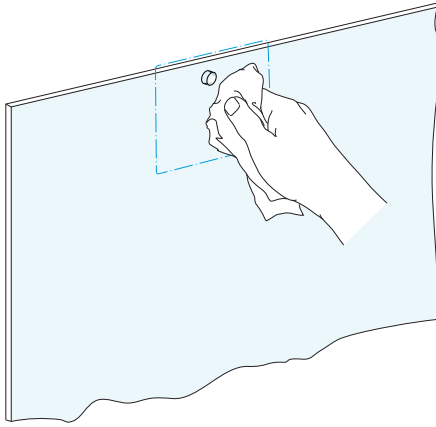


**Alt.1**

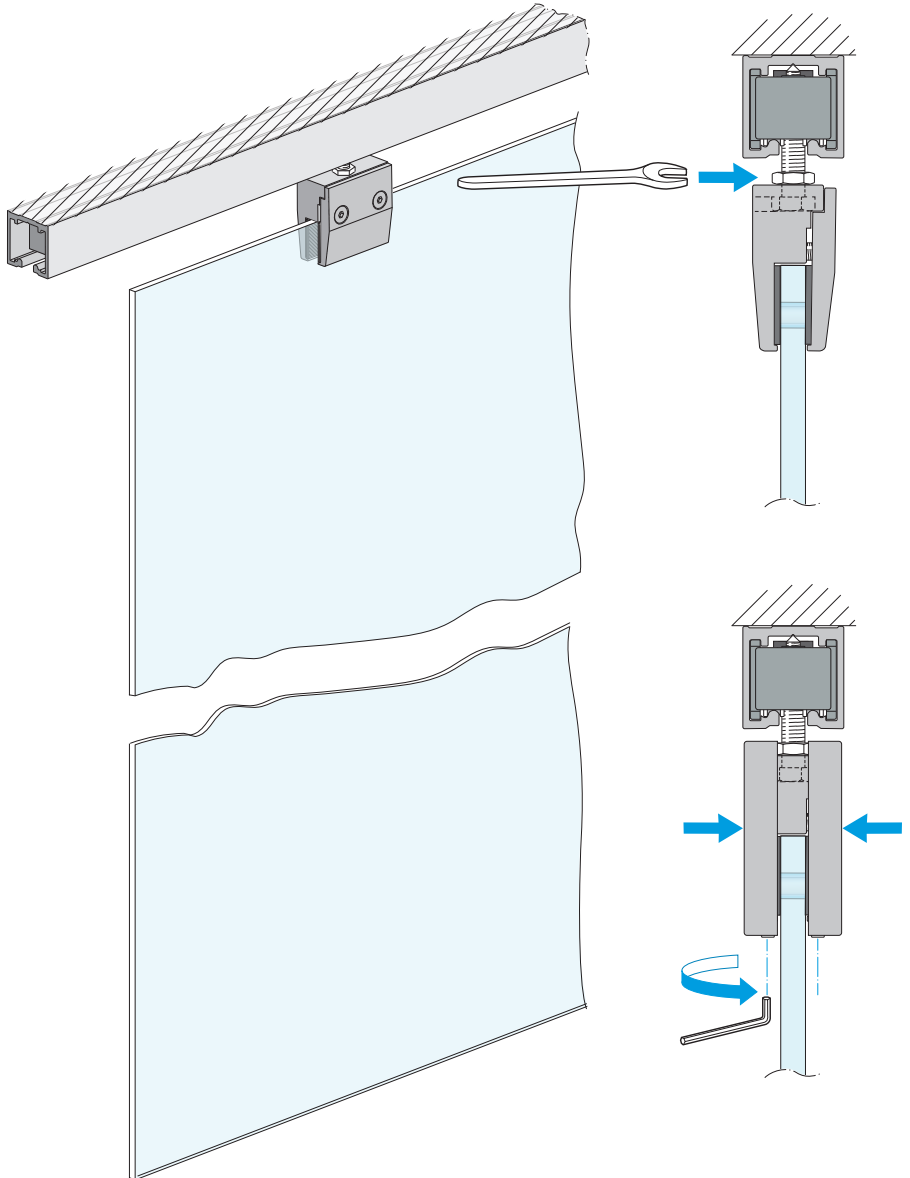
Alt.1

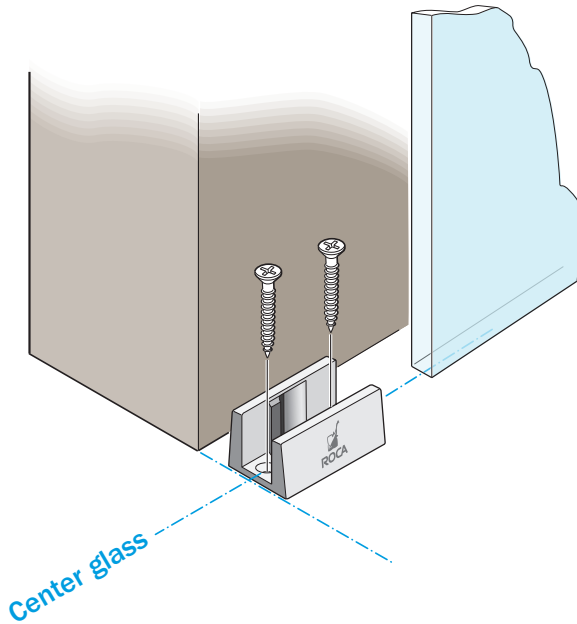
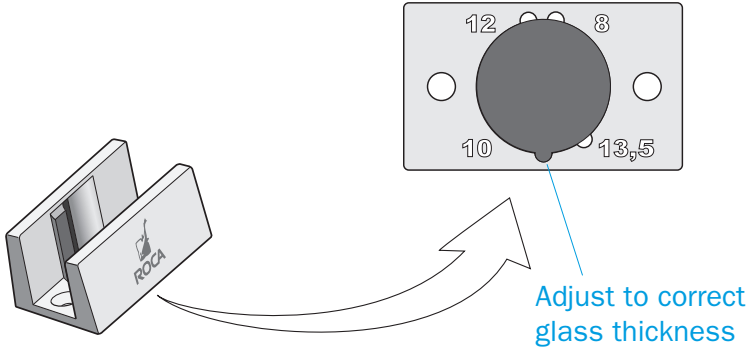


Alt.2

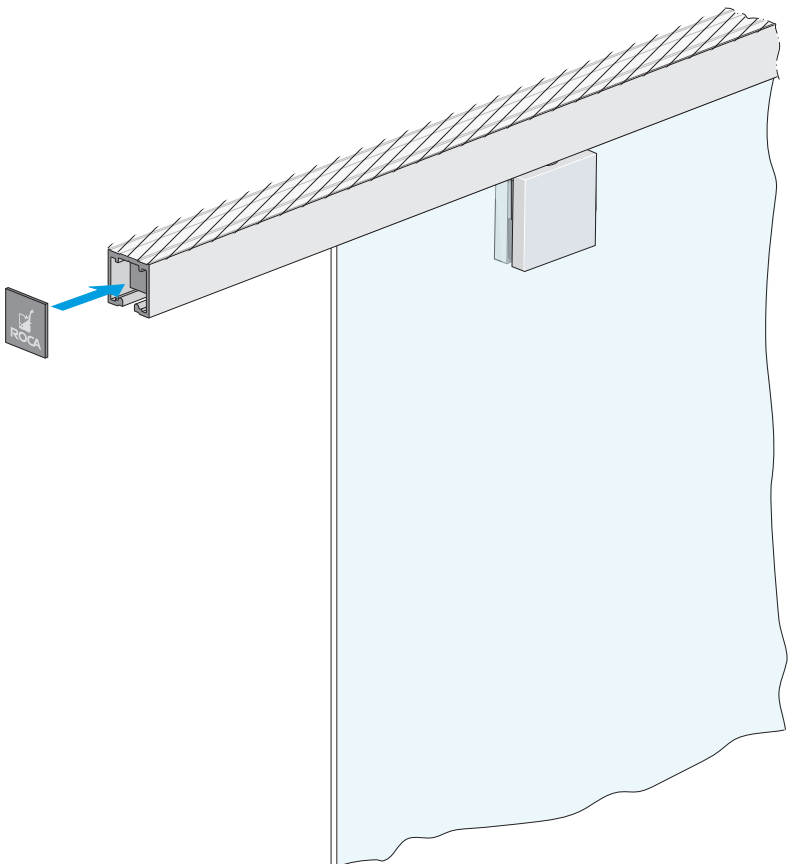
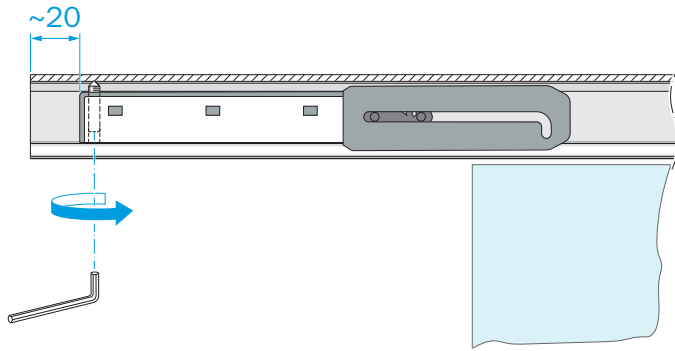


Alt.2











[rocaindustry.com](http://rocaindustry.com)