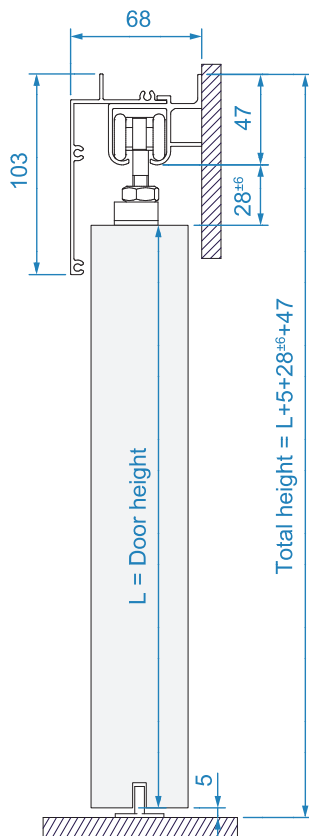
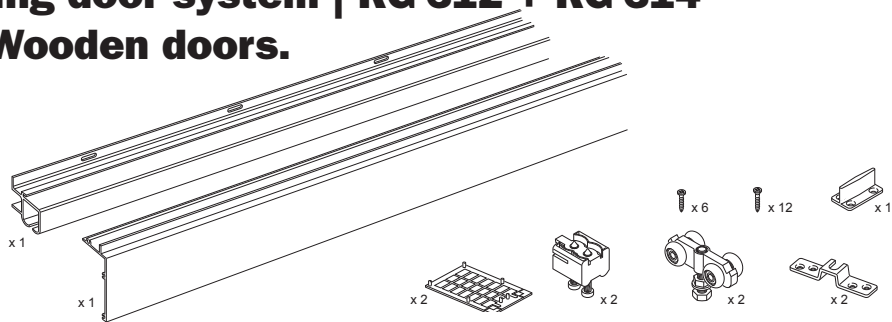


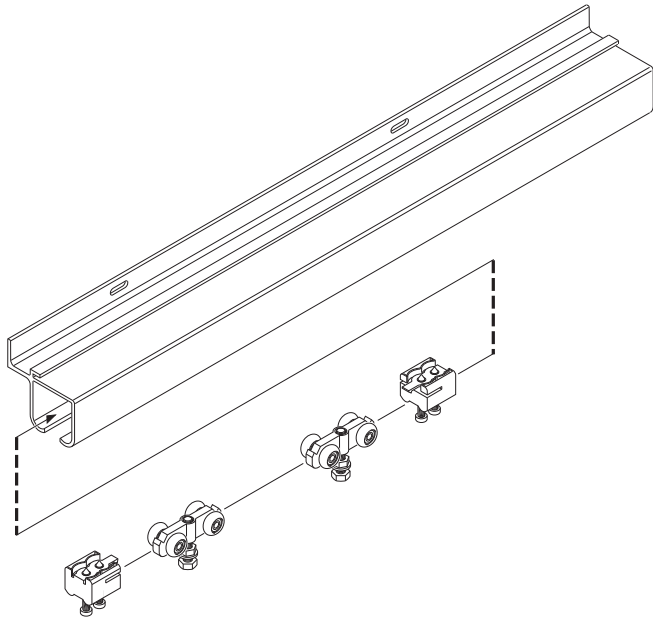
Sliding door system | RG-312 + RG-314 for Wooden doors.



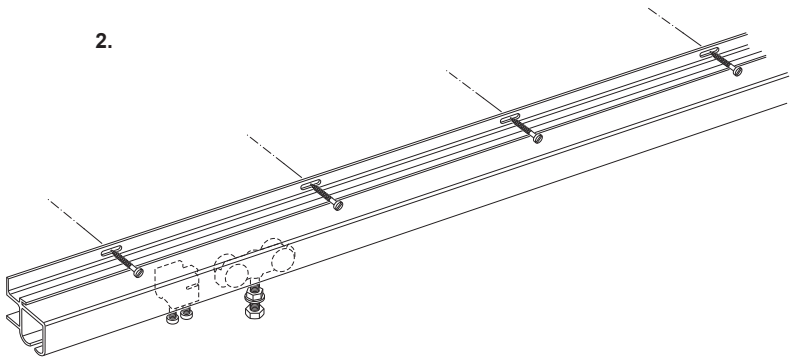
935001:
Max door weight 80kg

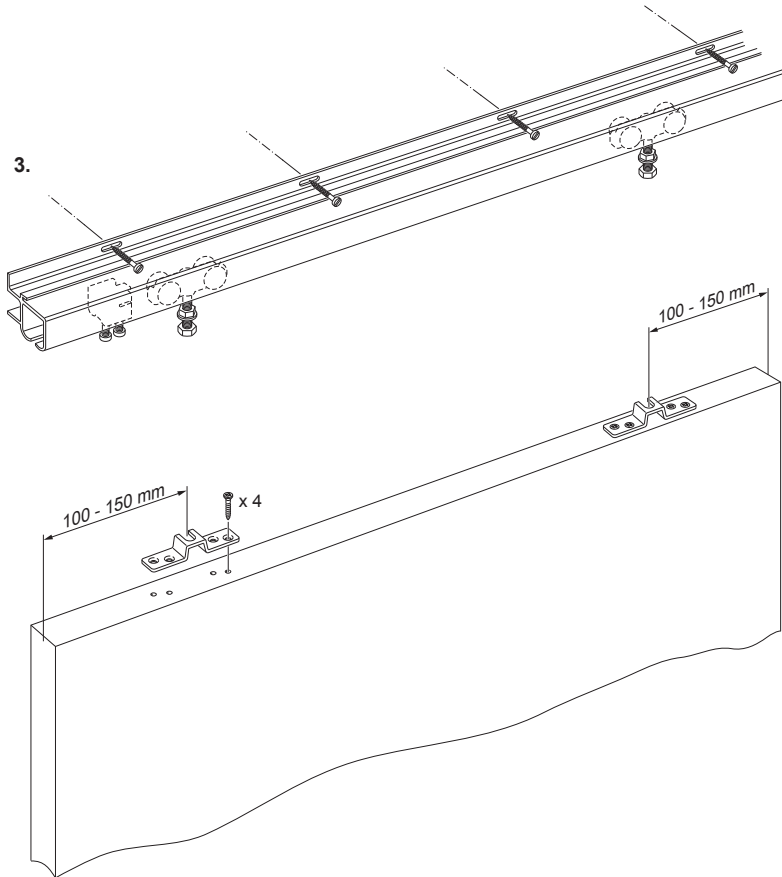


1.

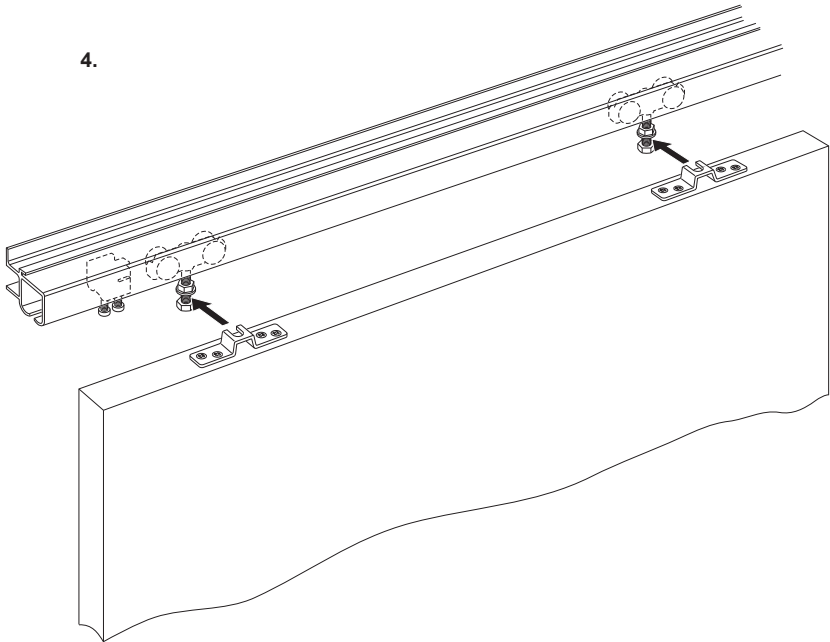


2.

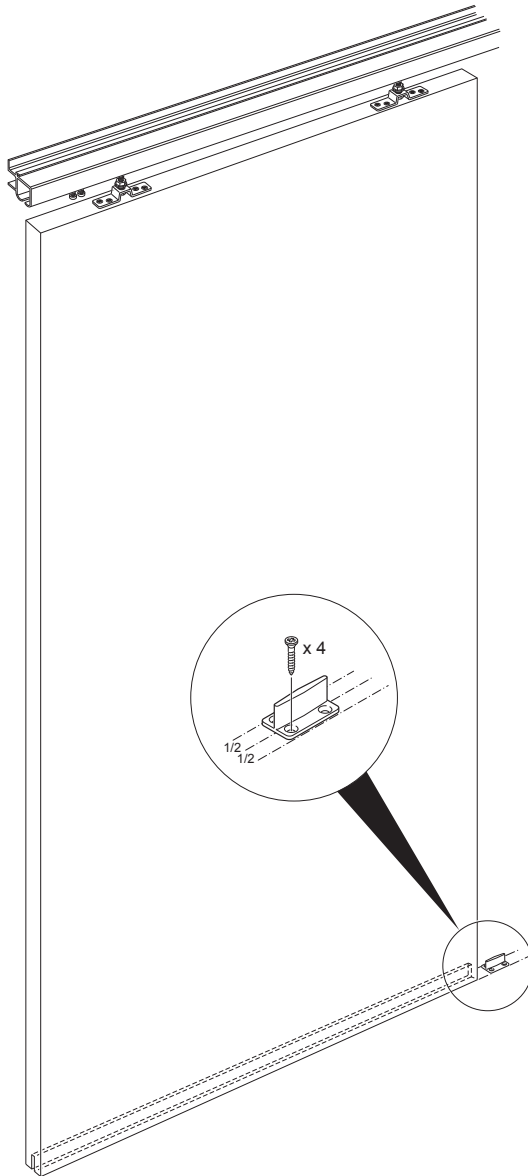




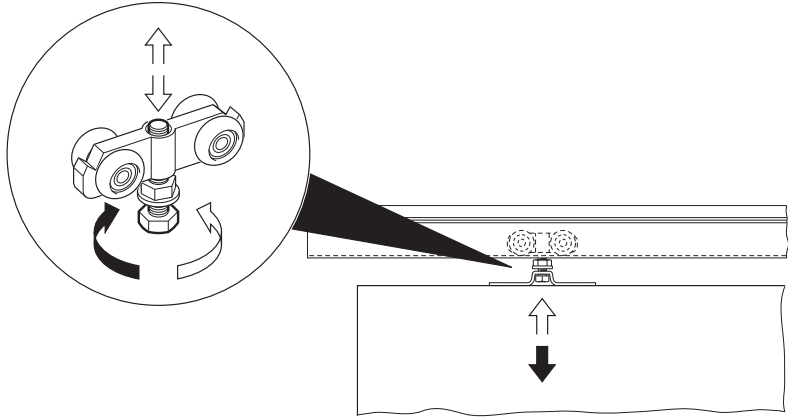
4.



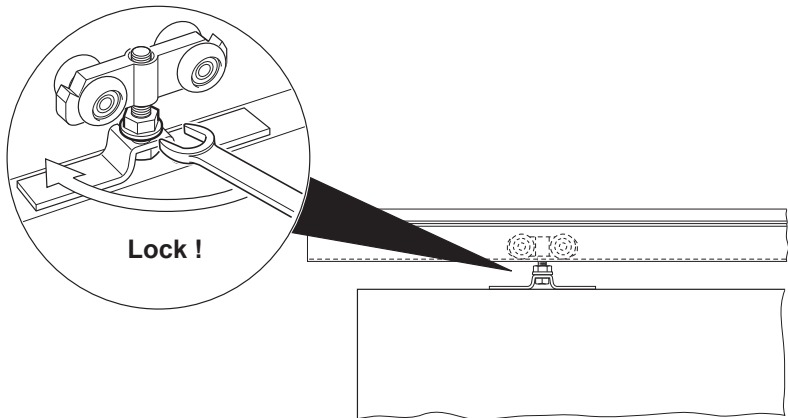
5.



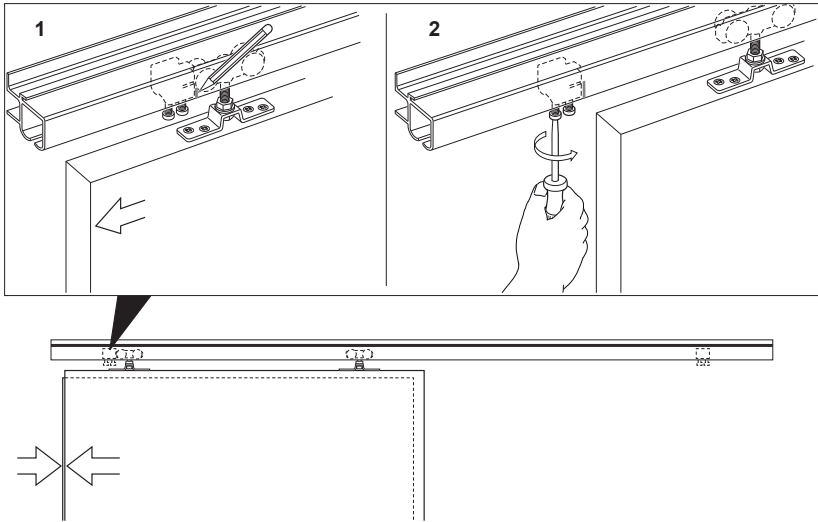
6a.



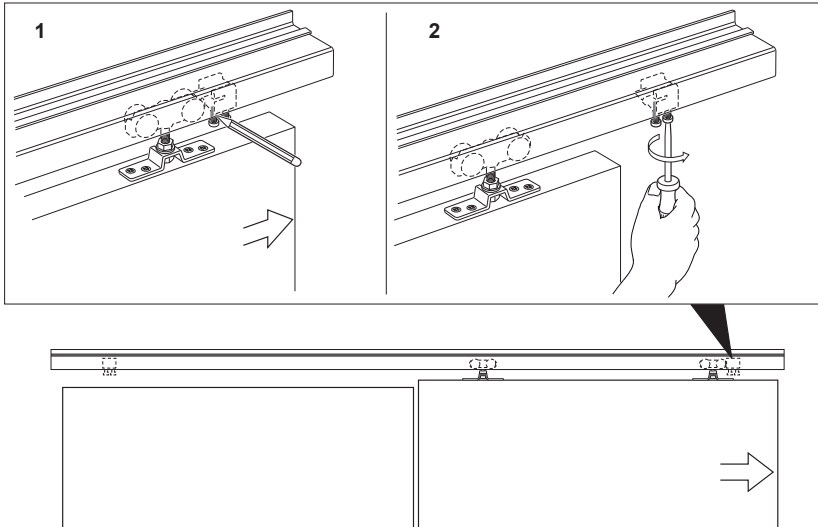
6b.



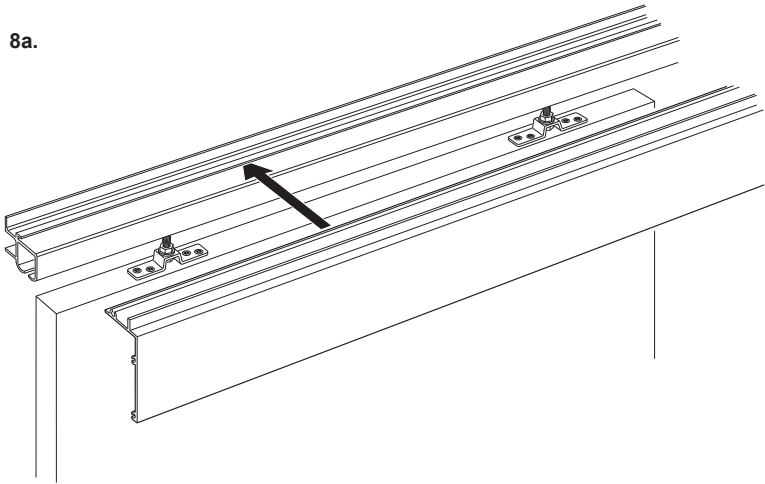
7a.



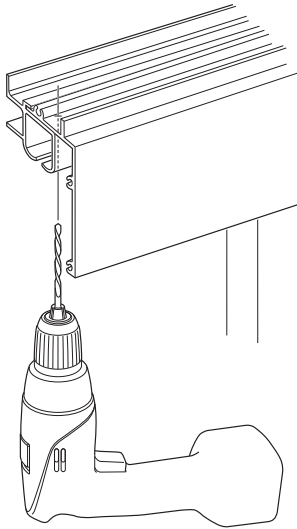
7b.



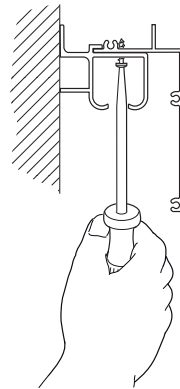
8a.



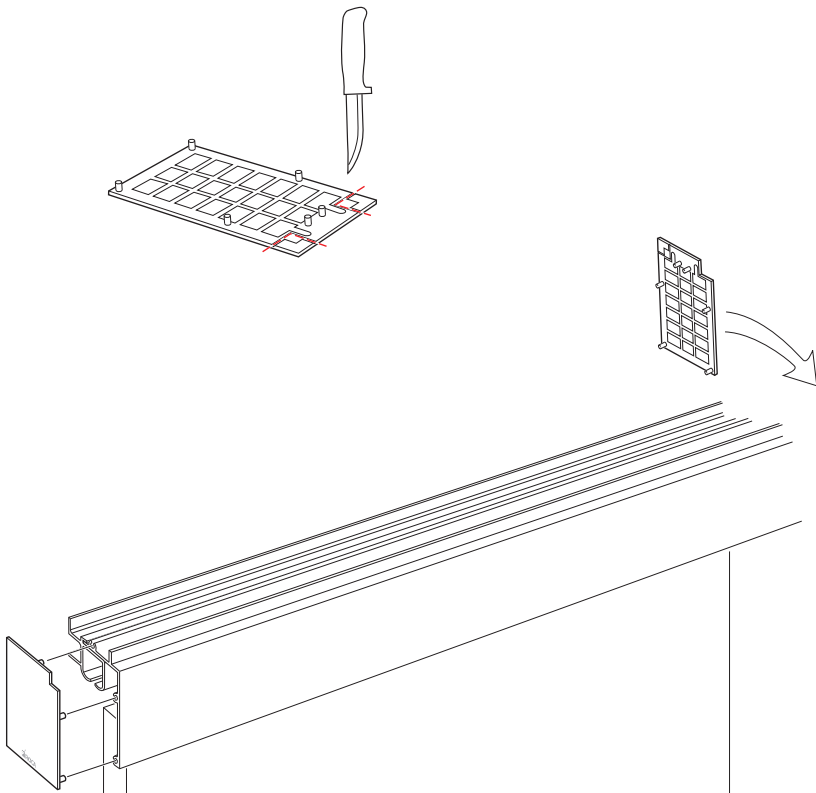
8b.



8c.



9.





rocaindustry.com | info@rocaindustry.com