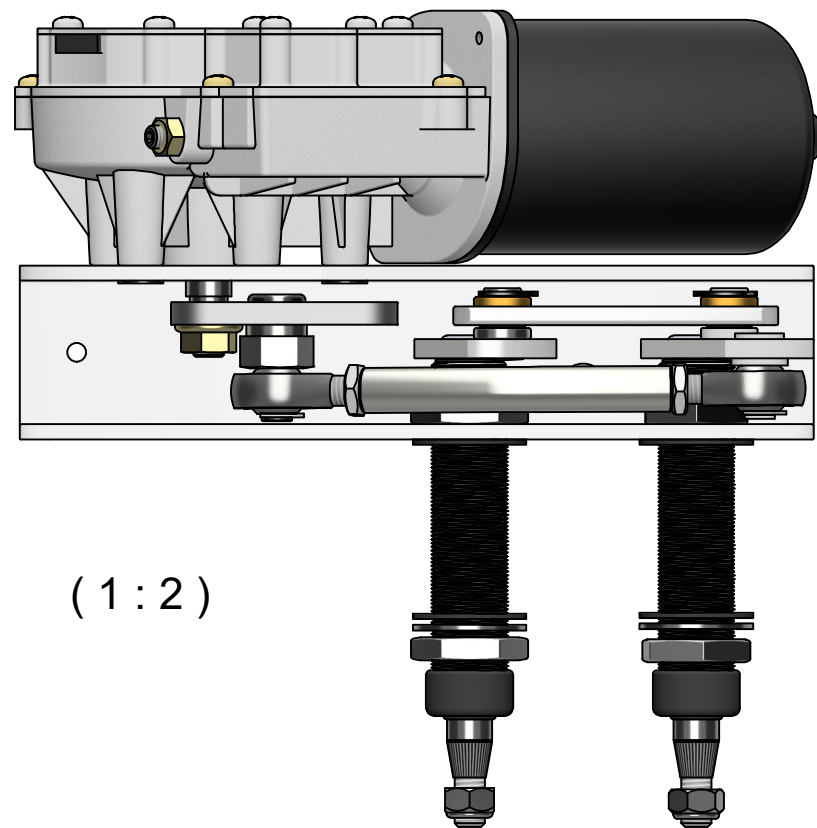


**AMP Terminal**  
 180906-0 / Connector housing  
 880636-2 / Terminal

Specification		
	12V	24V
Speed no load - Slow/Fast	30 / 47 RPM	30 / 47 RPM
Current no load	< 6 A	< 3 A
Speed Rated Characteristics - Slow/Fast	28 / 43 RPM	28 / 43 RPM
Current Rated Characteristics - Slow/Fast	< 7 / < 10 A	< 3,5 / < 5 A
Stall Characteristics - Slow	50 Nm / < 40 A	50 Nm / < 20 A
Sweep angle	45° - 110°	45° - 110°
Dynamic park circuit	Yes	Yes
Insulated ground	Yes	Yes
CISPR 25 class 1 - EMC	Yes	Yes
EN 50121-3-2 - EMC	No	Yes
EN 61373 - Shock & Vibration	Yes	Yes



Item no.	L1	Volt
531013	28	12
531014	28	24
531023	53	12
531024	53	24
531033	78	12
531034	78	24

