

(4 : 1)

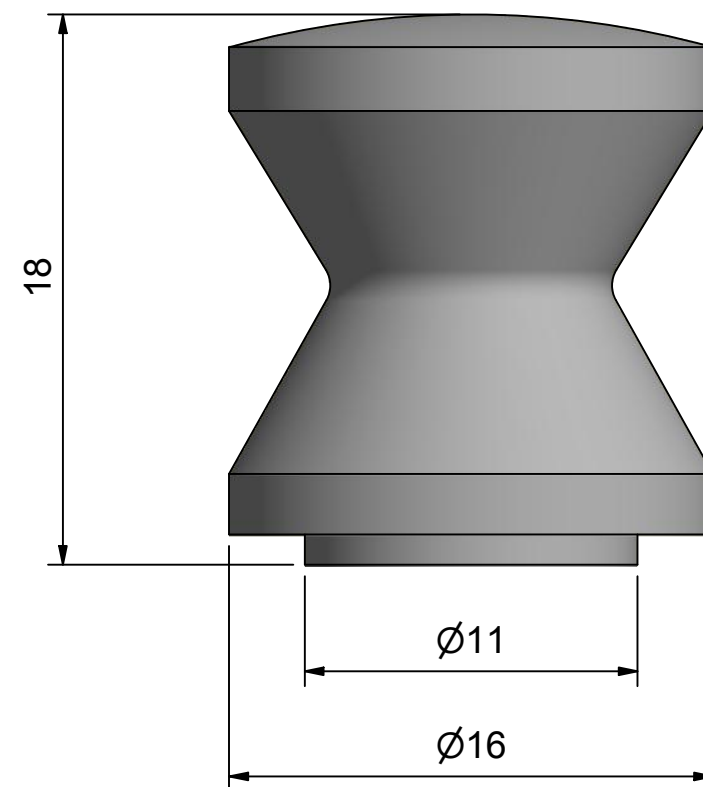


Table		
Item no.	Material	Treatment
421600	Brass	Chrome plated
421601	Brass	Polished


ROCA®