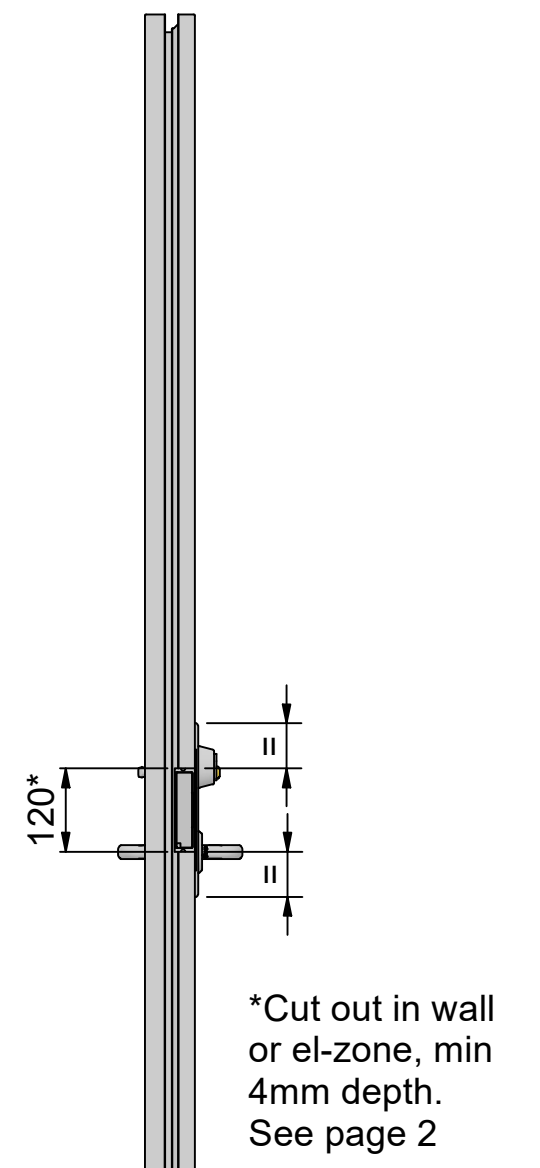
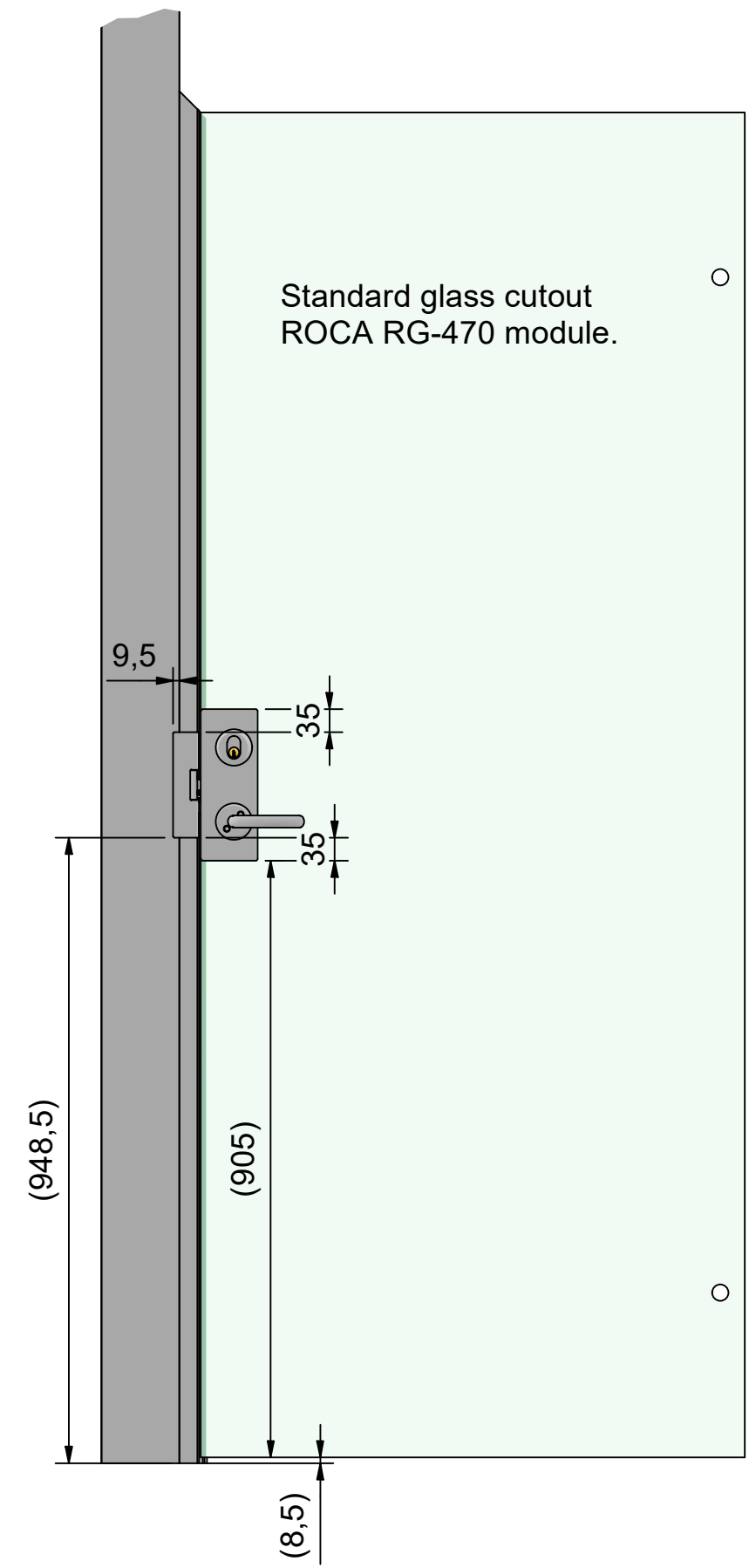
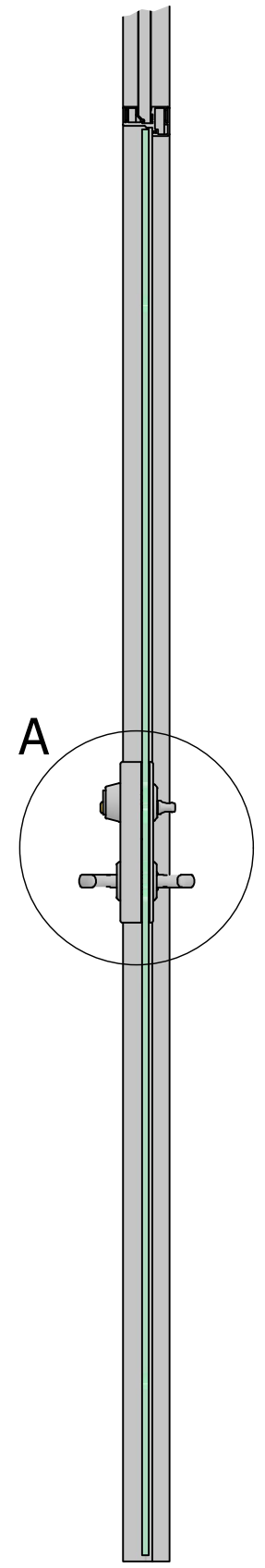
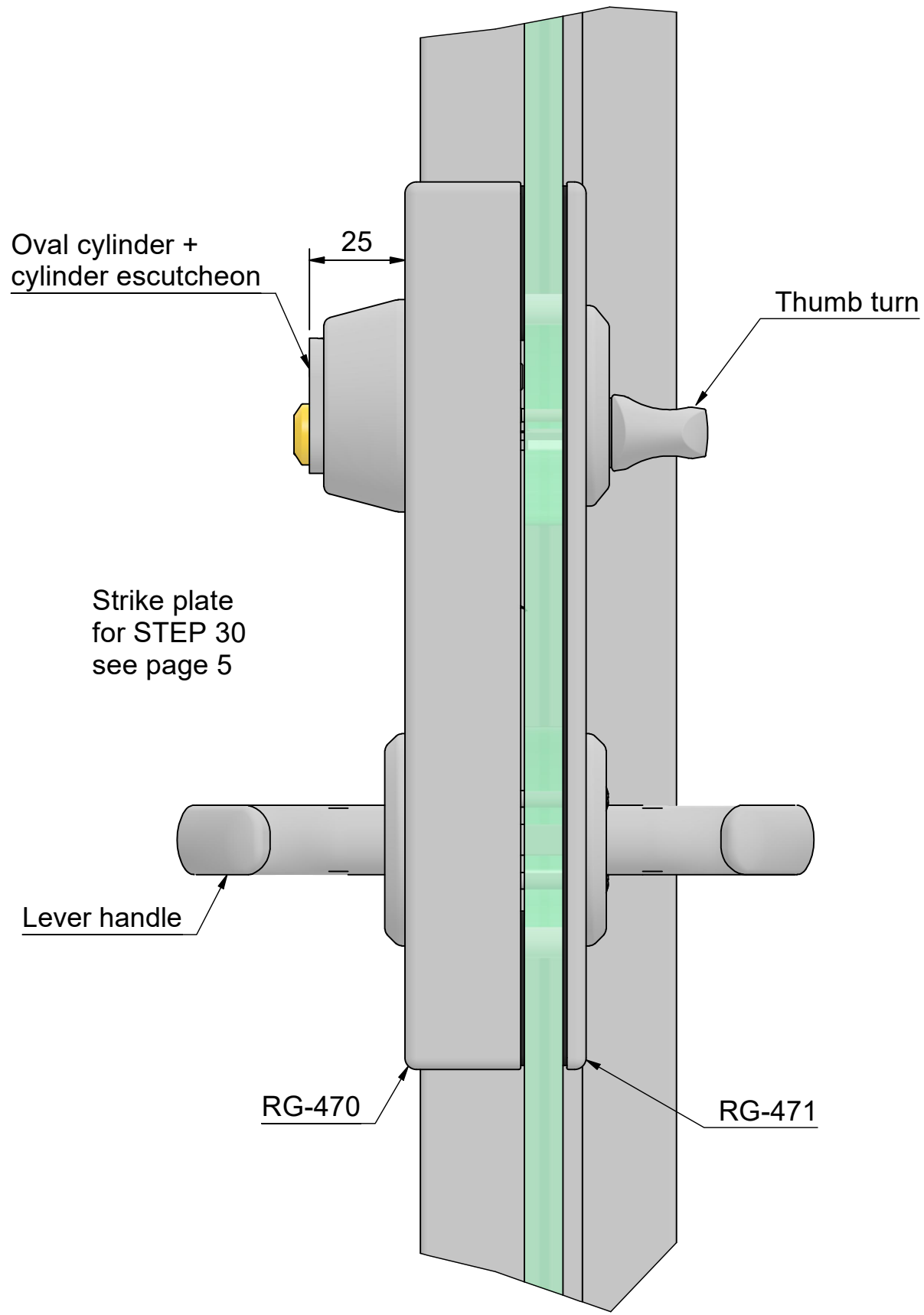


Right hung door

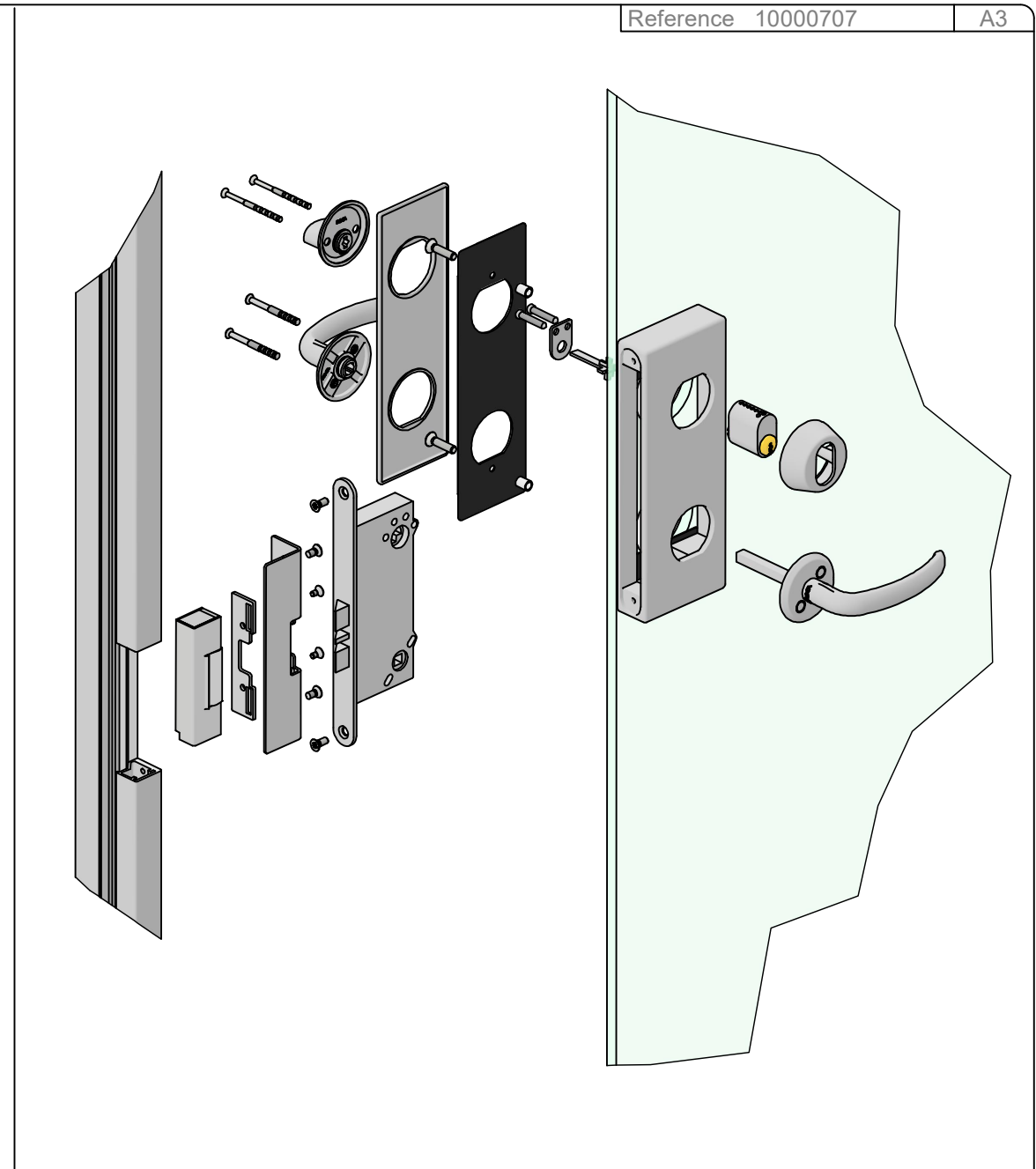
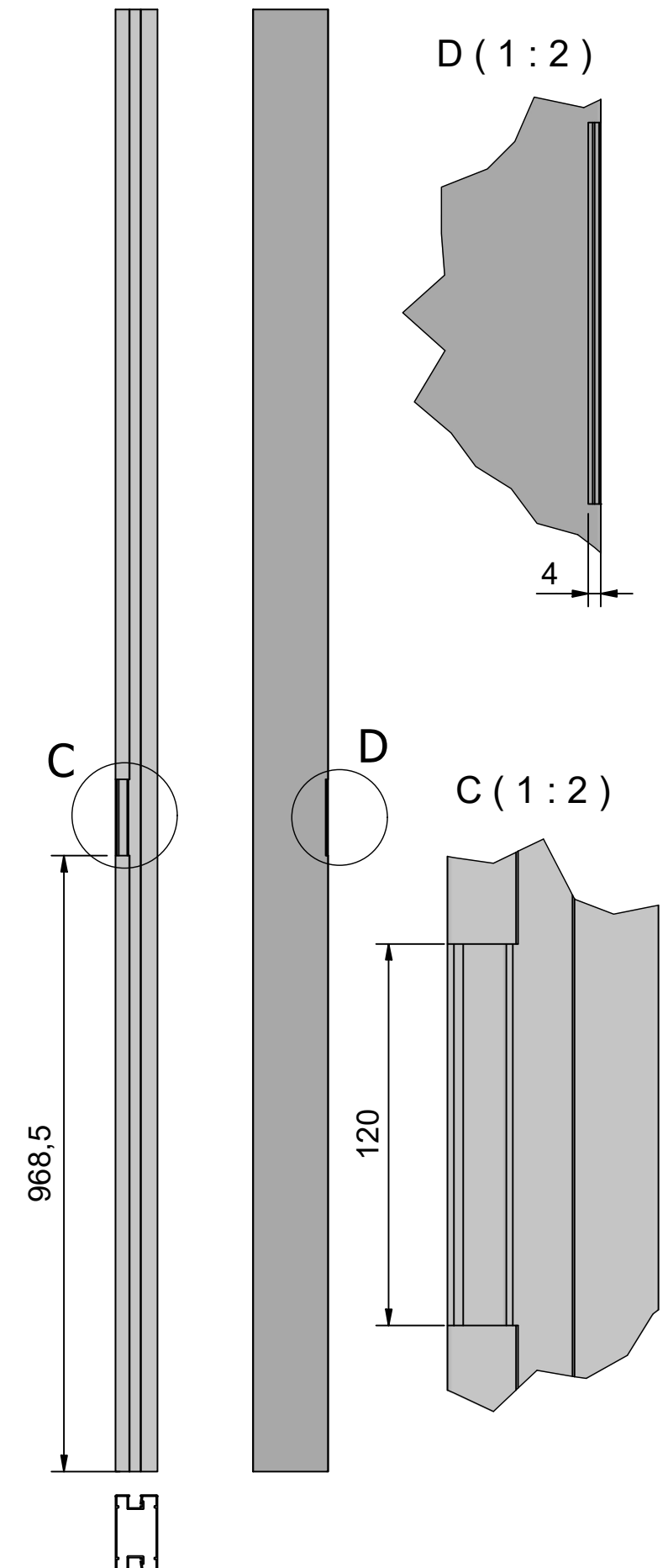
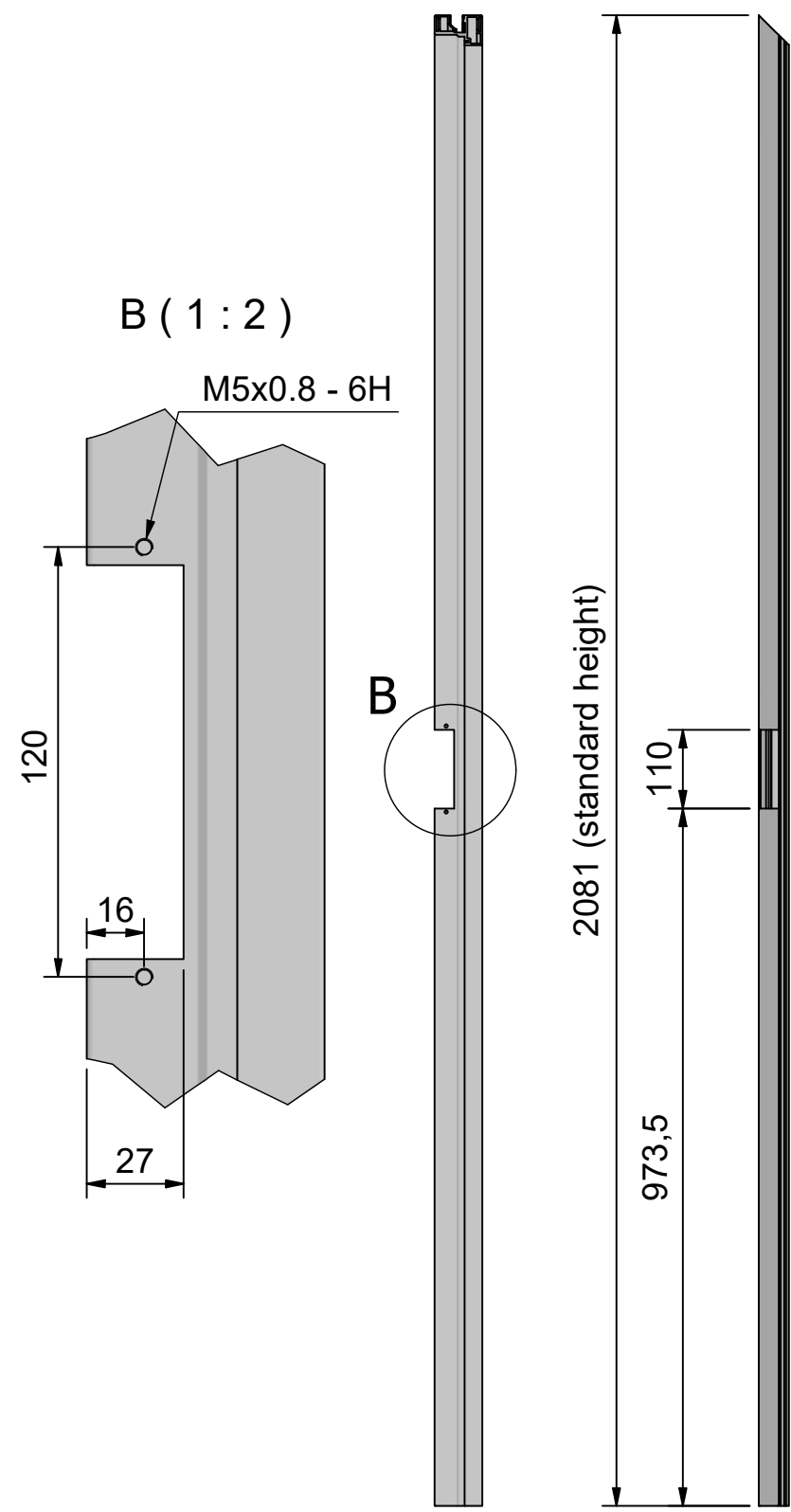
A (1 : 1,5)



Right hung door

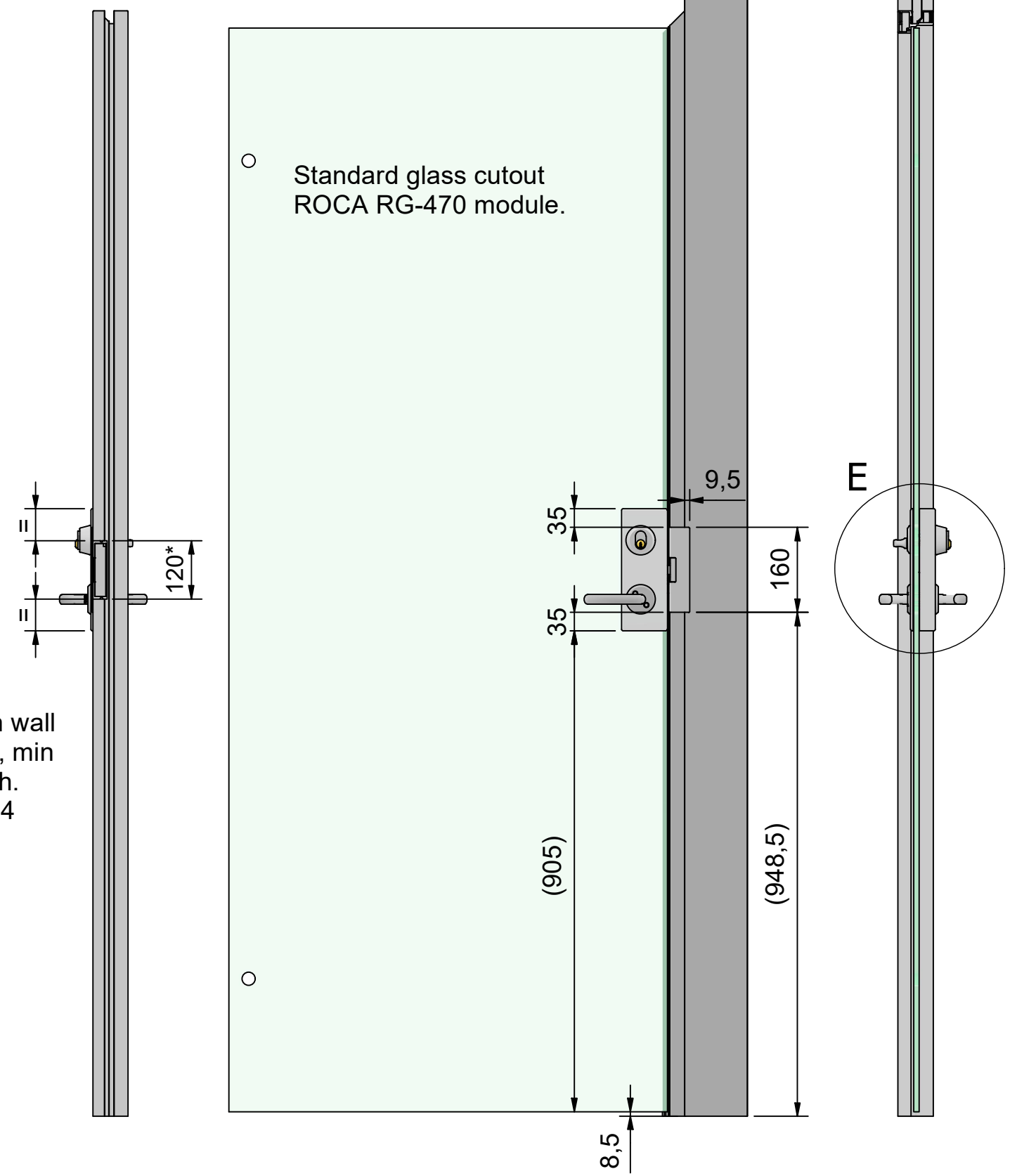
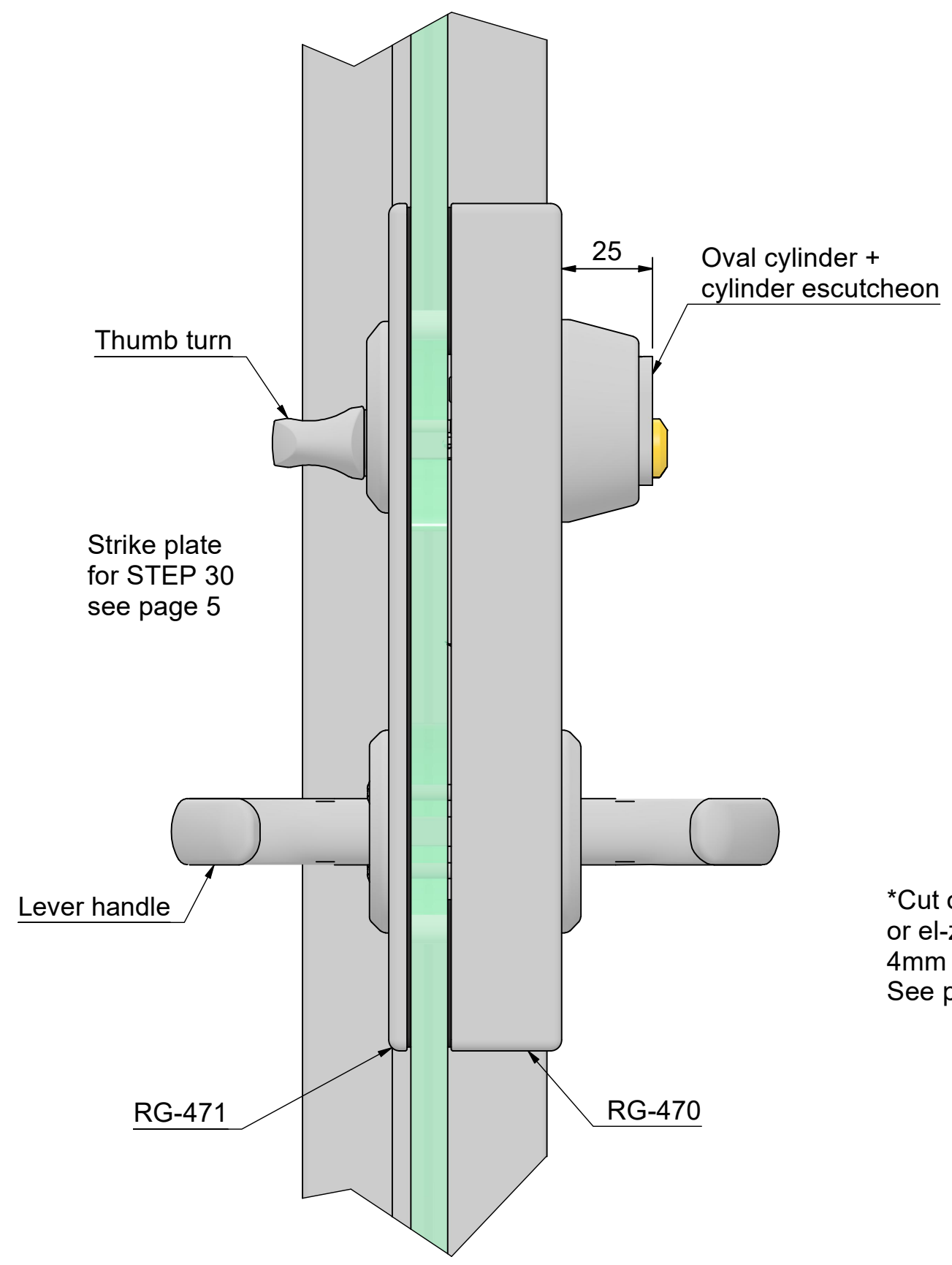
Frame cut out

El-zone cut out

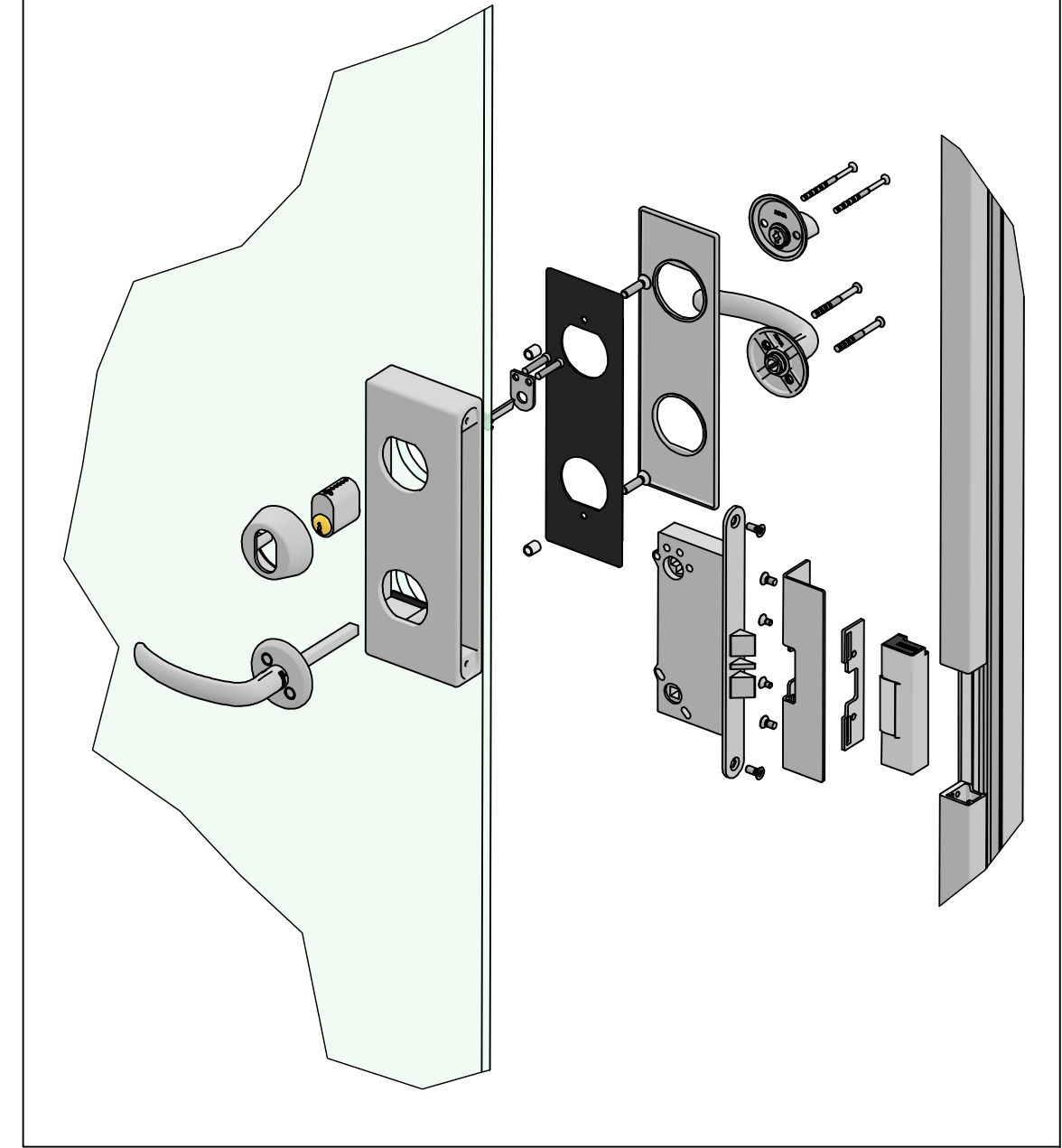
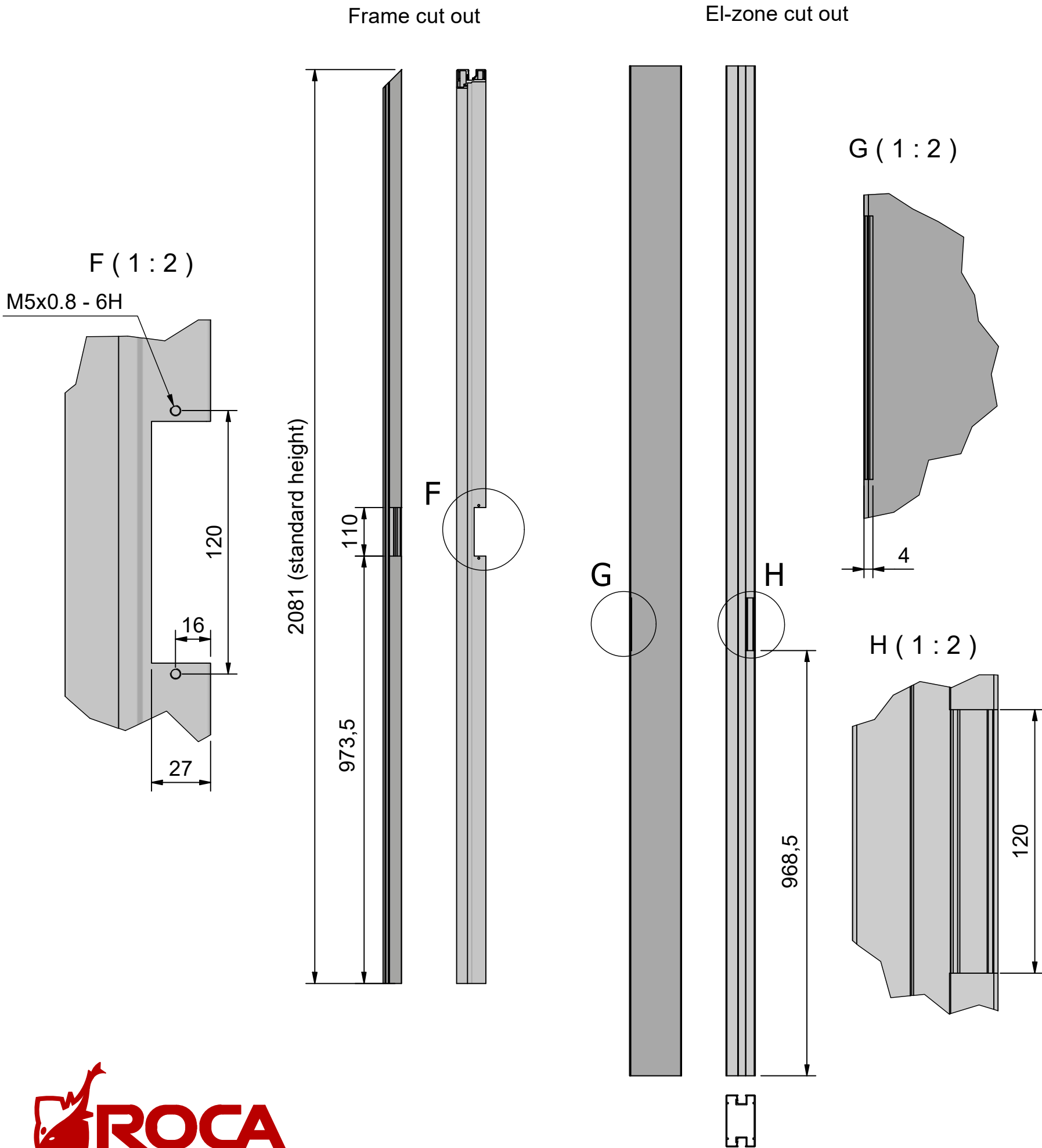


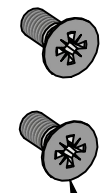
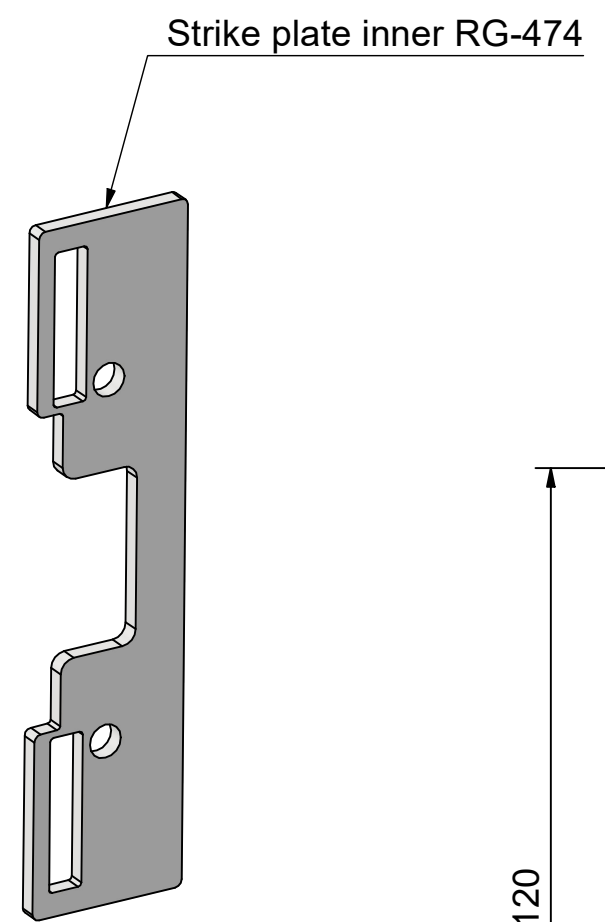
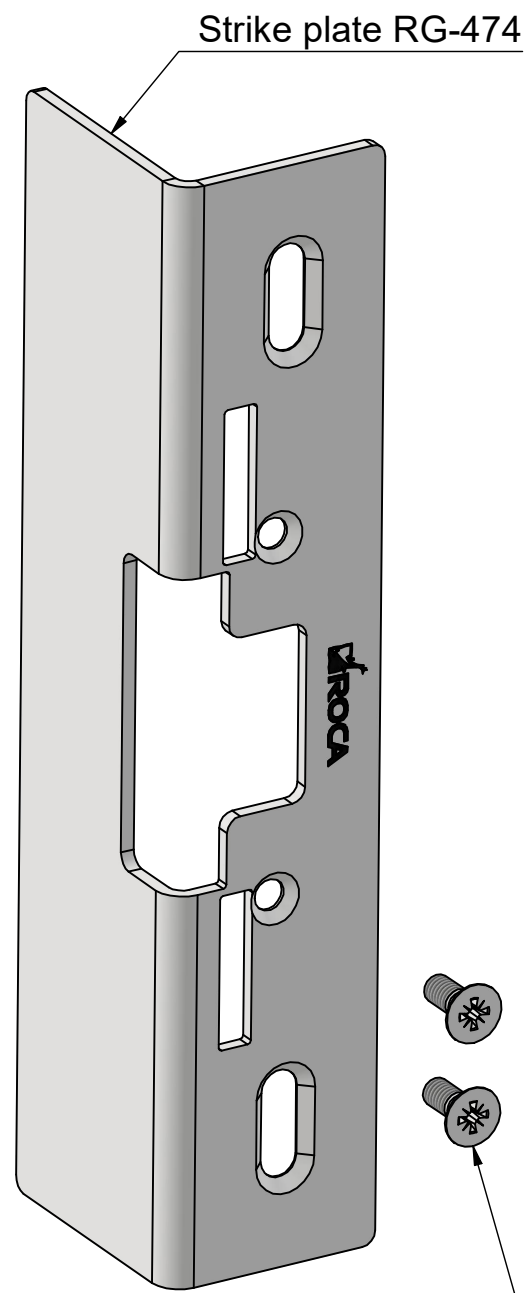
Left hung door

E (1 : 1,5)

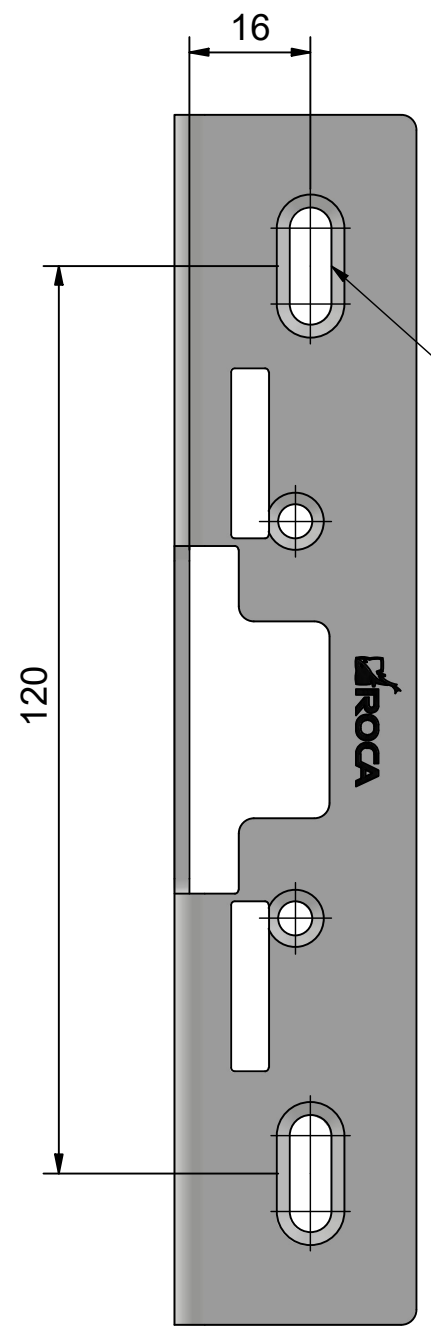


Left hung door

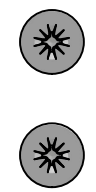




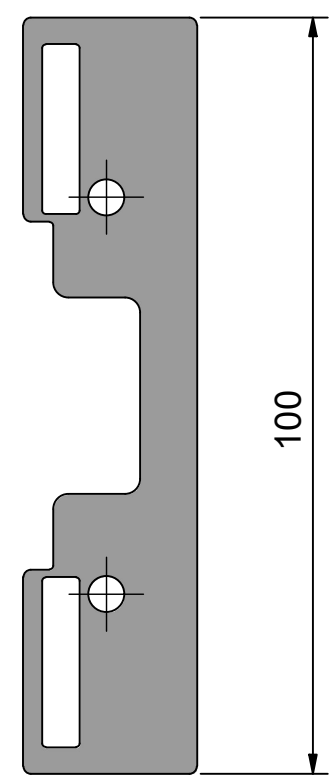
Screw M4x8 (2pcs)



Oval holes make it possible to adjust strike plate's vertical position in door frame.



Screw M5x10



Screw M4x8

