

Kit

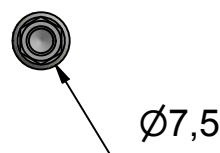
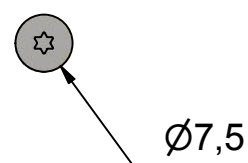
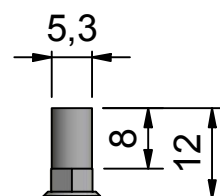
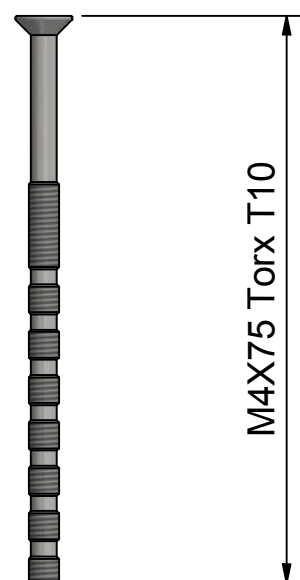
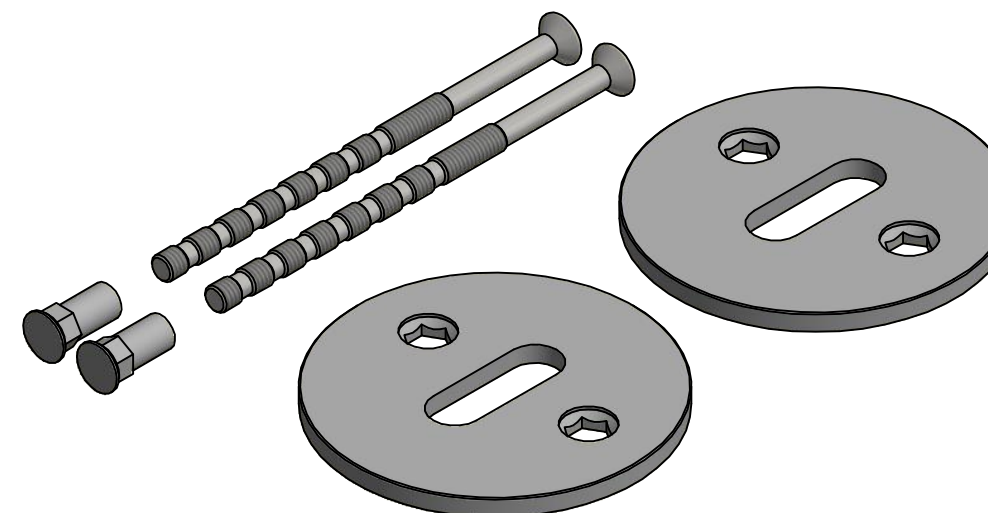


Table		
Item no.	Material	Treatment
931390	AISI304	Satin polished
931391	AISI304	Polished

See table
Description
Key rosette KRF-3

Date
191118/HH
Item no.