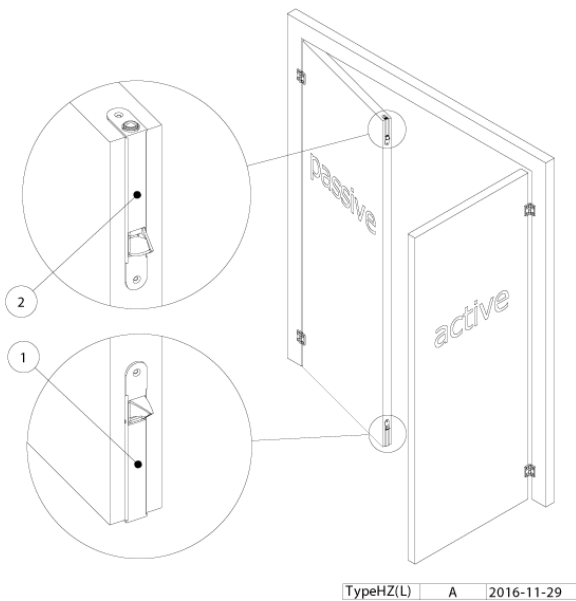


## How to choose the right type of flush bolt?

**OLDA** automatic and semi-automatic flush bolts are ordered and fitted according to the following:

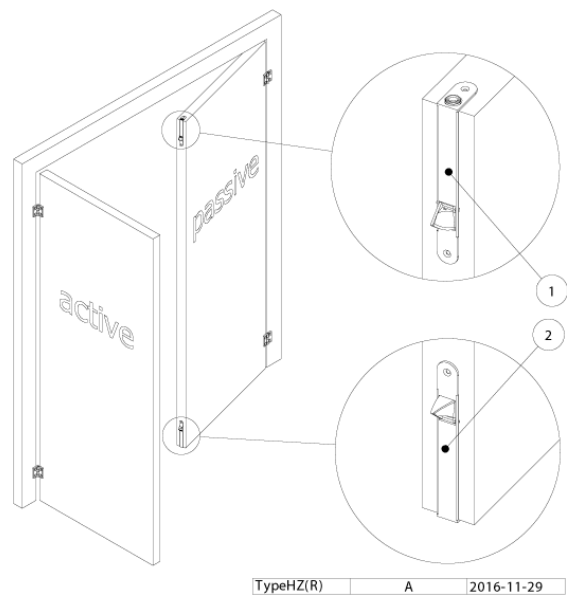
*The “passive” door-leaf is the one normally not used for passage.*

If left door-leaf is passive:



Choose flush bolt **type2** for top fit  
and **type1** for bottom fit.

If right door-leaf is passive:



Choose flush bolt **type1** for top fit  
and **type2** for bottom fit.