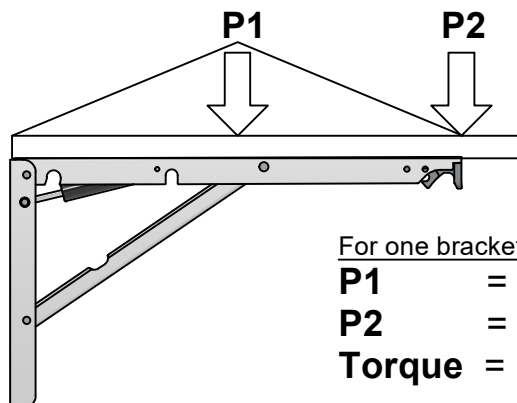
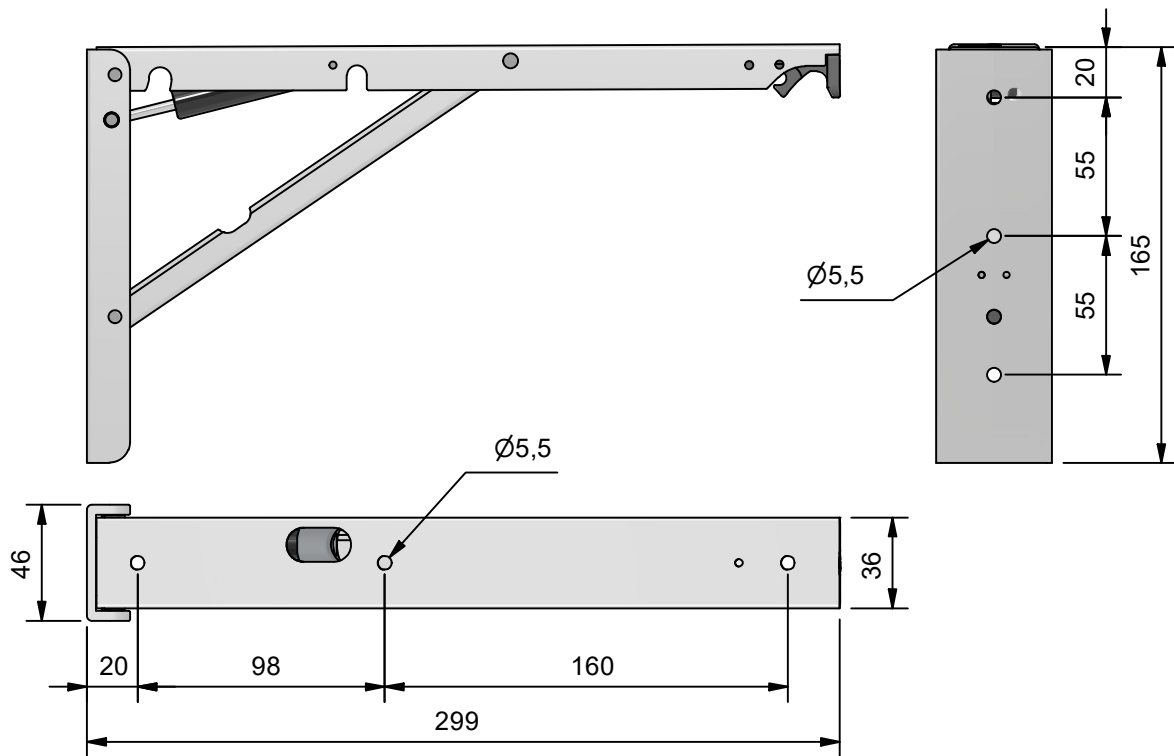




REGAL L

Installation Manual

Item no.	Description	Colour	Soft
910130	Regal L	Natural	NA
910131	Regal L	Black	NA
910135	Regal L	Natural	Yes
910136	Regal L	Black	Yes



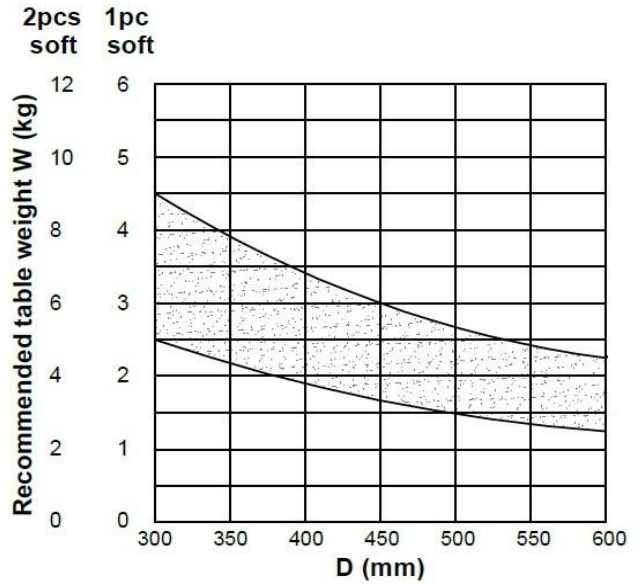
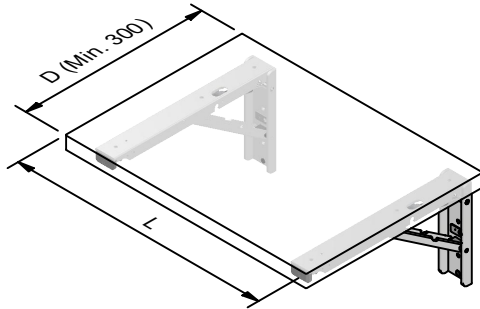
For one bracket

P1 = 80 kg

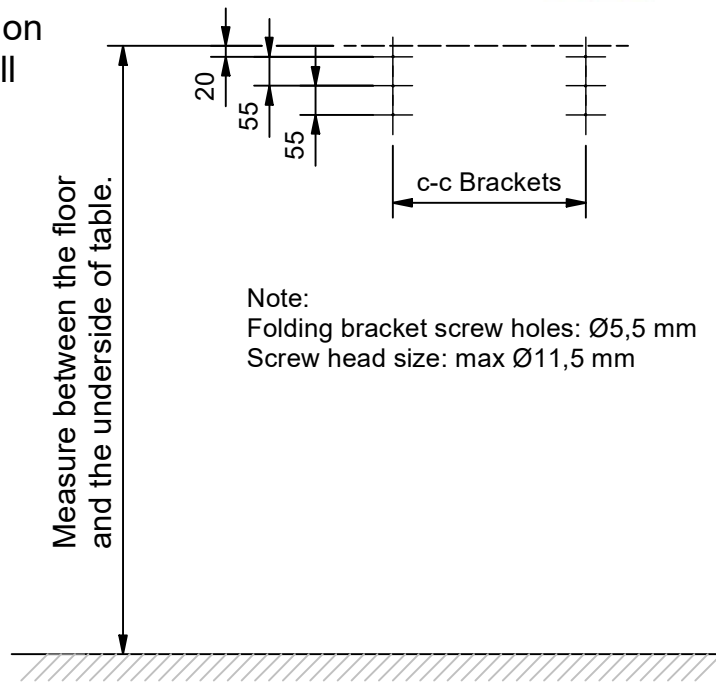
P2 = 40 kg

Torque = 120 Nm

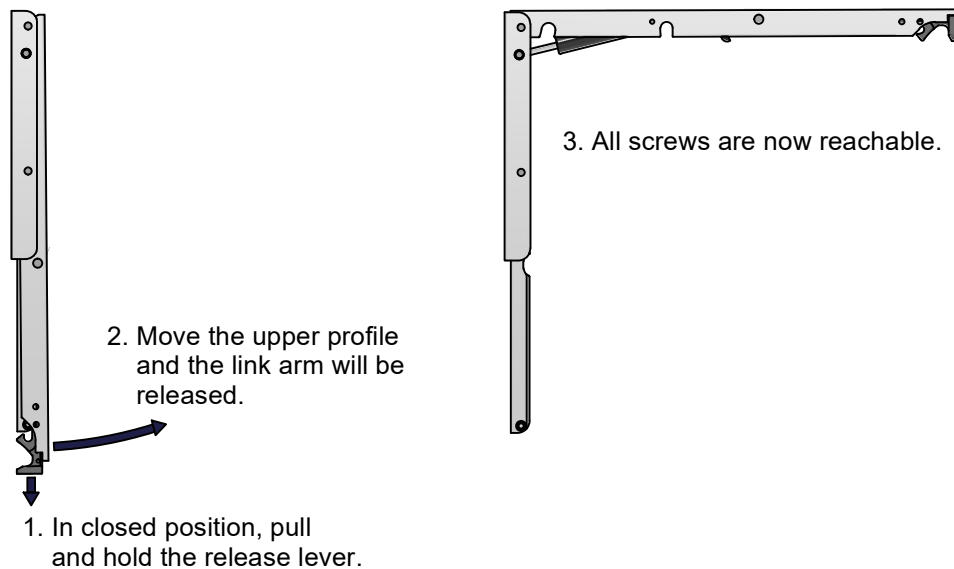
1. Decide how many "Regal soft" needed, depending on the weight of the tabletop.



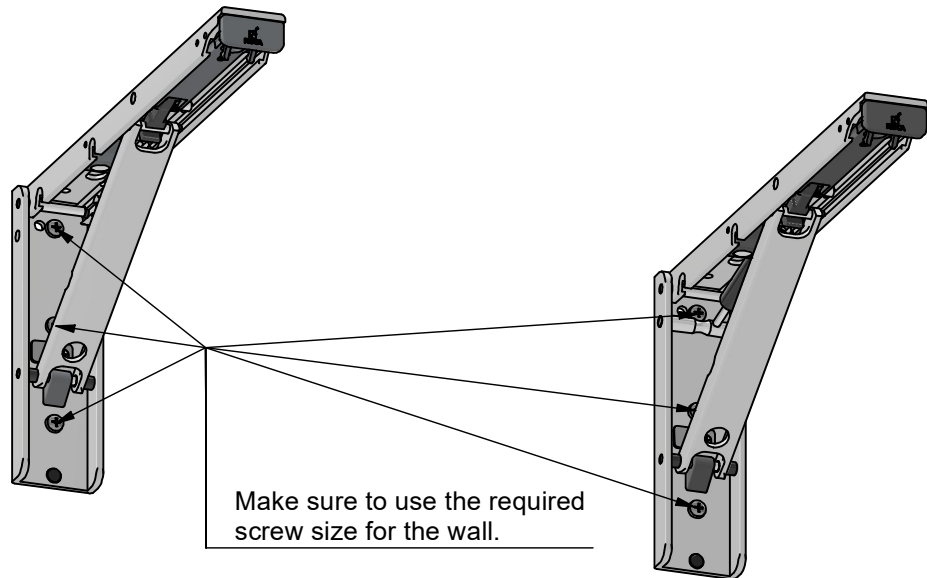
2. Measure the position on the wall and drill the holes.



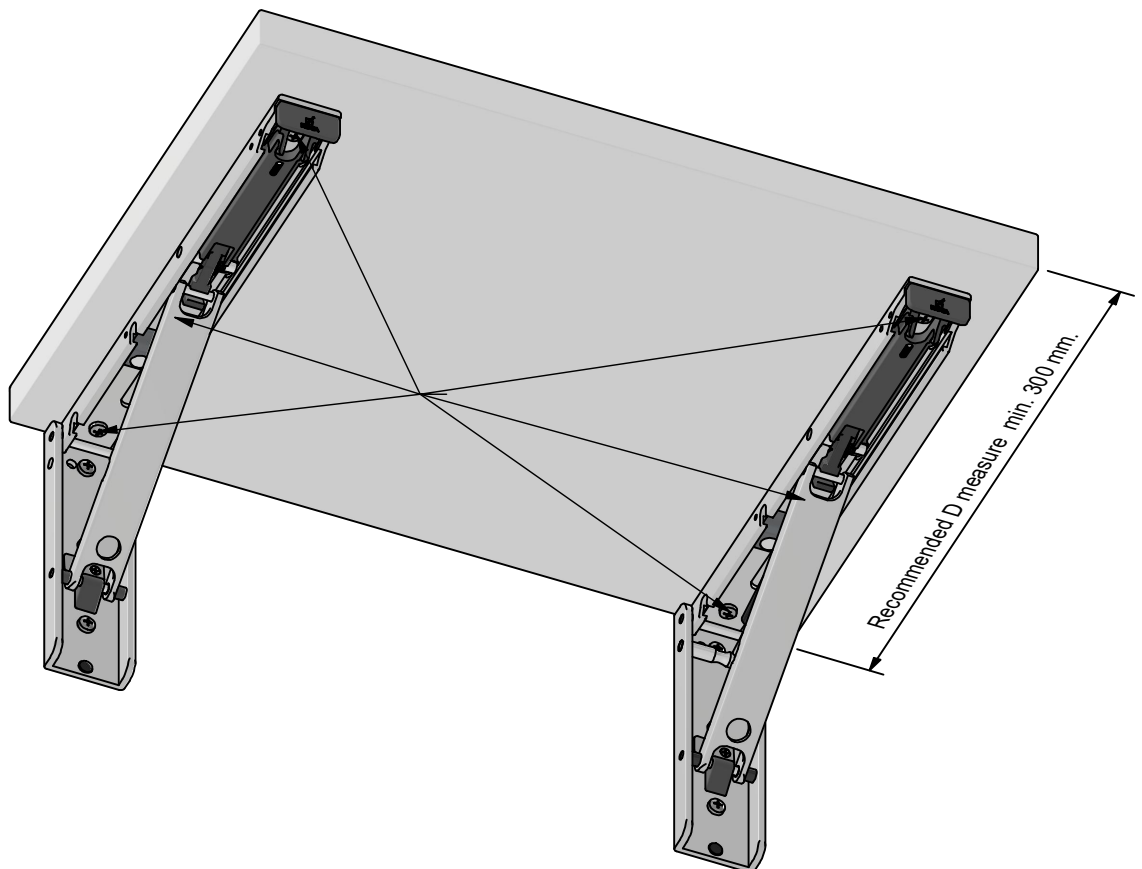
3. Prepare the brackets by releasing the link arms.



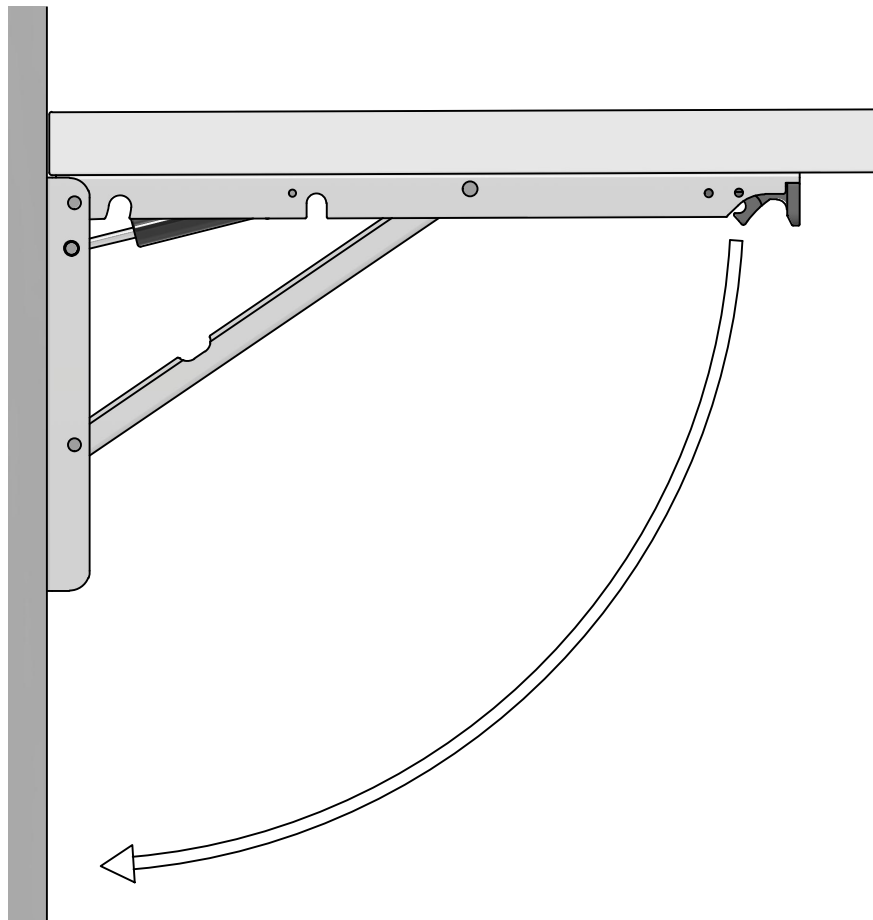
4. Attach the bracket to the wall with the appropriate screws.



5. Place the table top/shelf and mount the screws.



6. Fold the table top/shelf and push so the link arms clicks into place.



7. Lift the table top/shelf and test the function by pulling the release levers. If you use a Regal soft, make sure the table top/shelf folds slowly.

