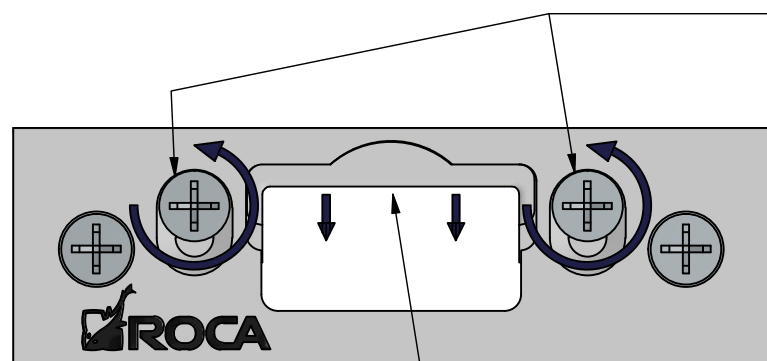
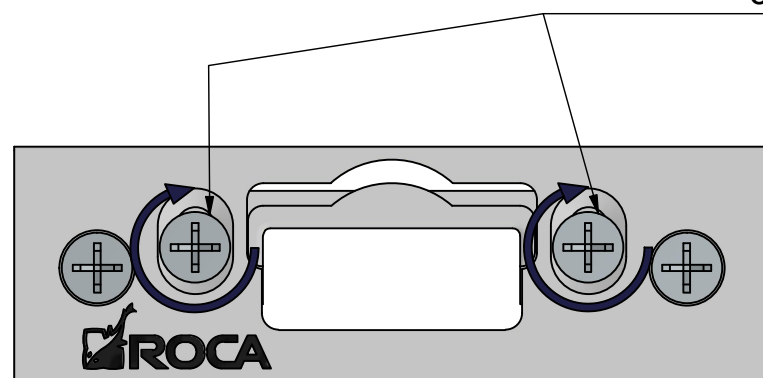


How to adjust

1. Release



2. Move inner part



3. Tight firmly

Basic measurements

