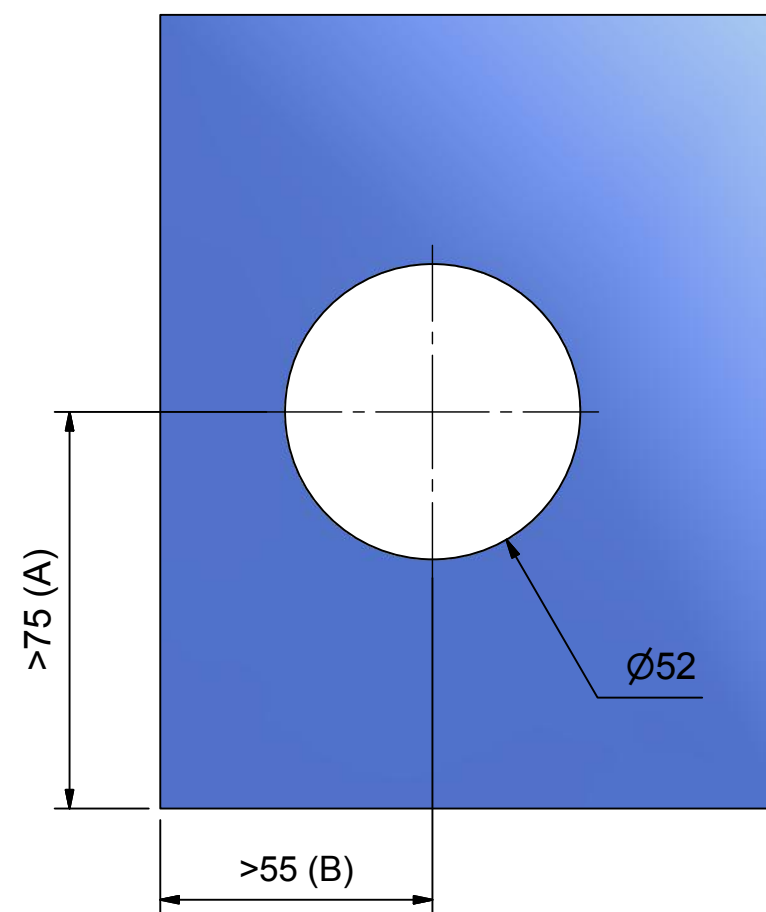
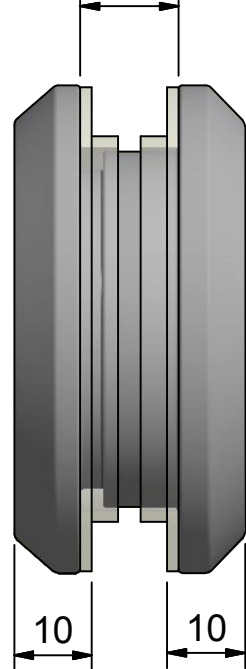


Accepted glass thickness 8-13



The measurement A and B may never be the same

