

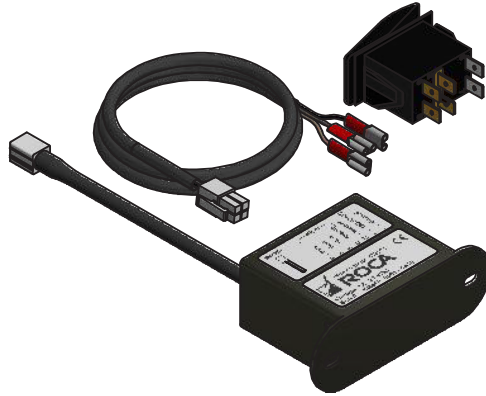


ROCA[®]

WIPER CONTROL | W10, 12, 25, 38 & 50

Installation Instructions

Before installation please read these instructions.

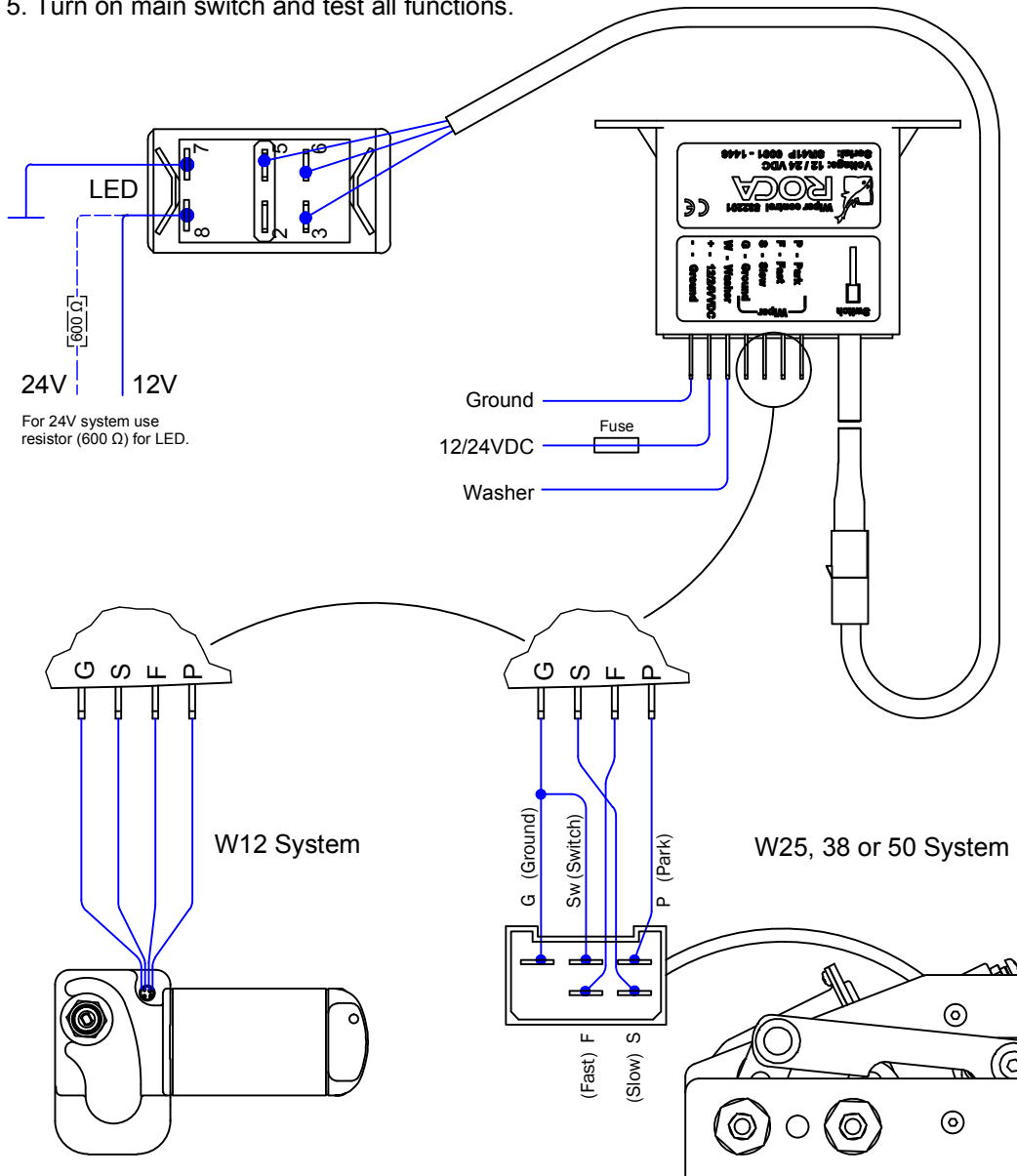


- 1 motor
- Interval
- Slow speed
- Fast speed
- Washer output

Installation

(Keep the battery main switch off during installation).

1. Place the control unit to desired position.
2. Insert the screws into holes and tighten.
3. Connect the cable from switch.
4. Connect the remaining cables according to diagram.
5. Turn on main switch and test all functions.



Function for switch

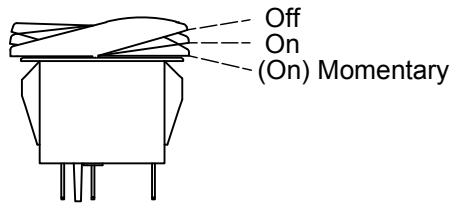
- One push to the on position will start the motor in interval.
- One more push to momentary will run the motor in slow speed.
- One more push will run the motor in fast speed.
- One more push starts from interval and so on.

Washer:

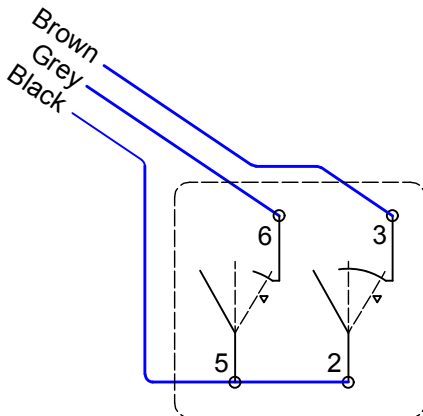
When running, push switch to momentary more than one second and washer will start.

Motor protection:

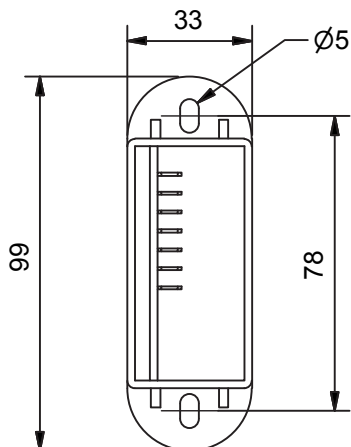
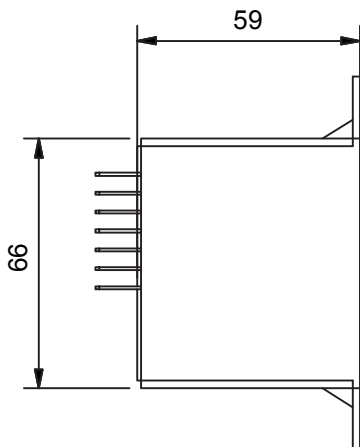
If motor runs too slow or stops, it will shut off if not reaching park position within 5 sec. Push switch to off and then to on, and motor will start again.



Switch 466223
Actuator 466026



Switch circuit
Off - 2&3 - (2&3,5&6)



Item no. 532201 **Voltage** 12/24 V **Wipers** 1

Limited warranty

- » Roca warrants the wiper control to be free from defective material and workmanship for a period of 3 years from the date of purchase.
- » This warranty does not apply to failure or damage caused by improper installation, misuse, lightning strike or damage from a power surge.
- » If failure occurs during this period, return it to your dealer for repair or replacement.

Fits wiper motors: W10, W12, W25, W38 and W50

