

(2:1)

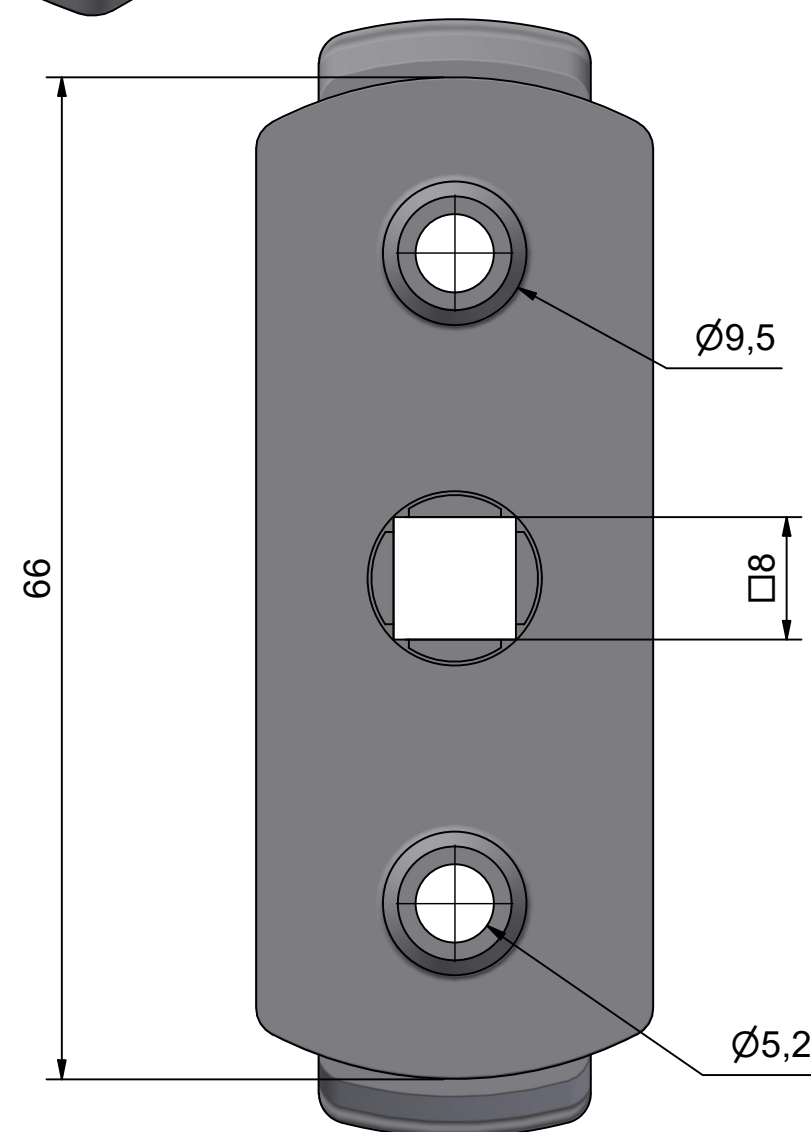
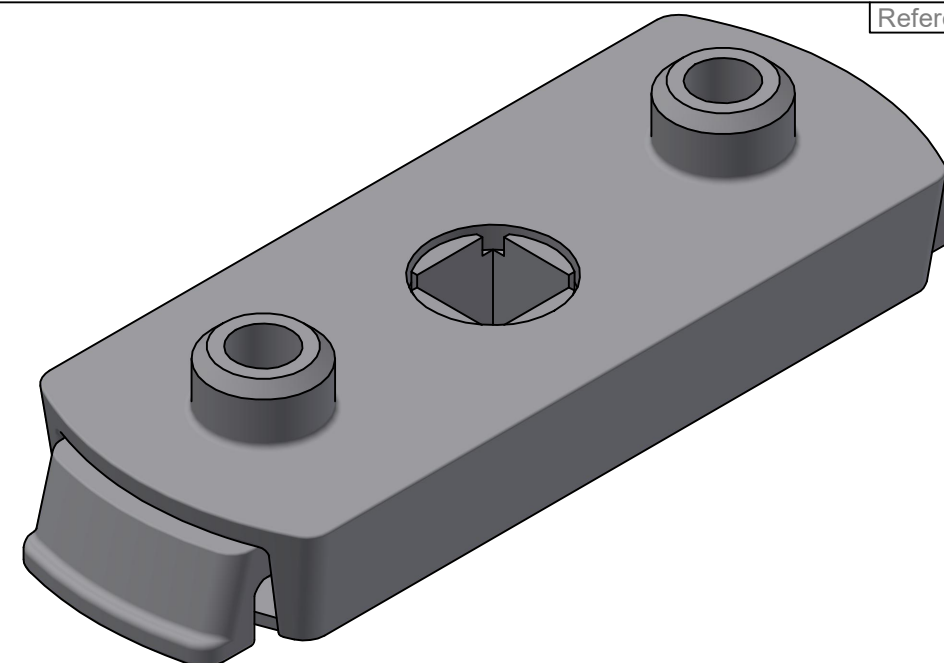
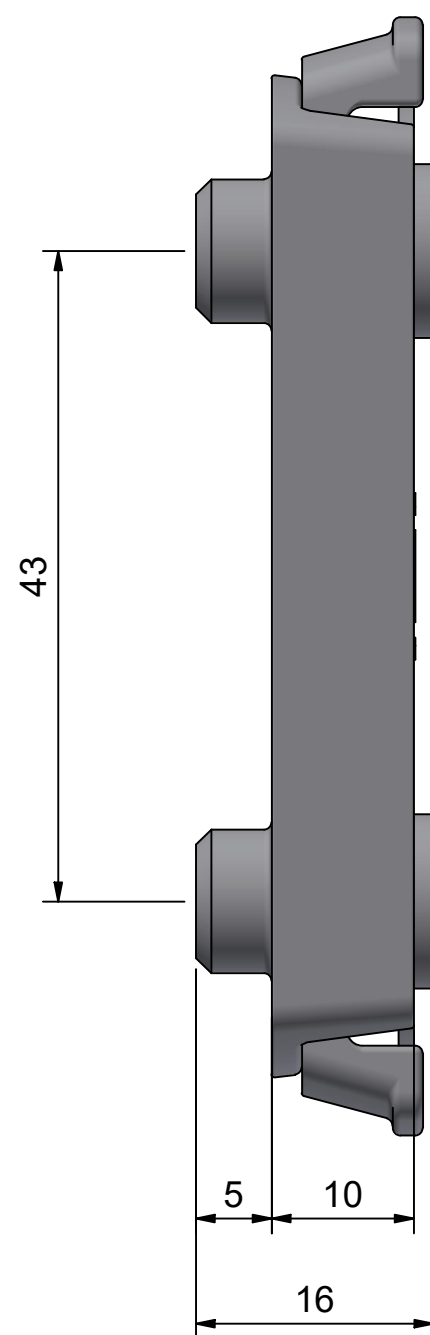
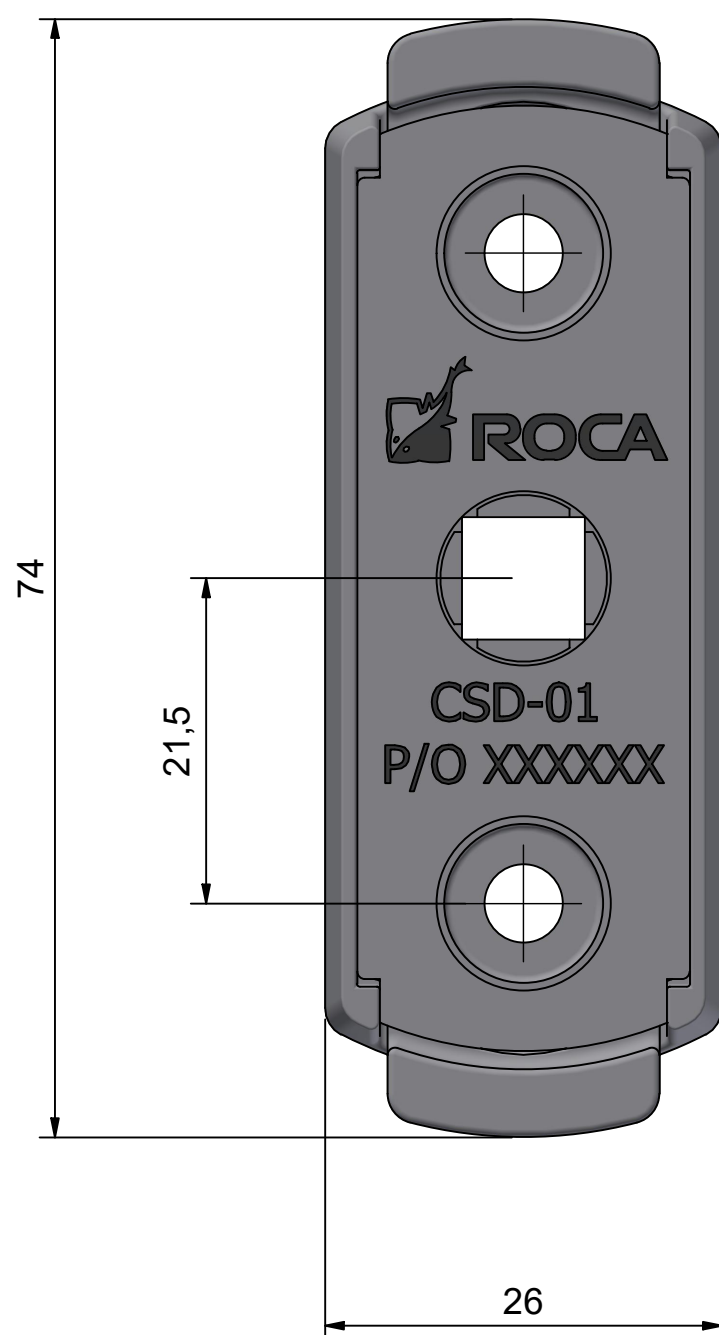


Table		
Item no.	Material	Treatment
932890	Zamac/Steel	Chrome plated
932891	Zamac/Steel	Satin nickel plated
932892	Zamac/Steel	Brass plated
932894	Zamac/Steel	BLEC

See table

240328/DE

Description

Child safety device CSD01 V2-932890-94

Date

Item no.