



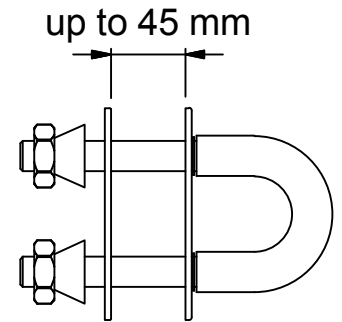
ROCA

Instruction for use and mounting.

Security bow eye. Item number 422030.

Material / Treatment

Bow: Hardened stainless steel, PVD coated.
Nuts: Hardened stainless steel, electro polished.
Washers: Stainless steel AISI 316, electro polished.



Mounting instruction.

1. Drill through hull or deck using a washer as template.
C-C measure is 46 mm, drill size $\varnothing 13$ mm.
2. Place bow including plastic washers through 1:st washer and then through the holes of hull or deck.
For better protection against water, add silikon on the side of washer against the boat.
3. Place the second washer on the inside of boat.
Apply loctite 270 or similar thread locking liquid on the thread and then position the lock nuts.
4. Tighten lock nuts until the hex part of nuts breaks off at a torque of approx 70Nm.

