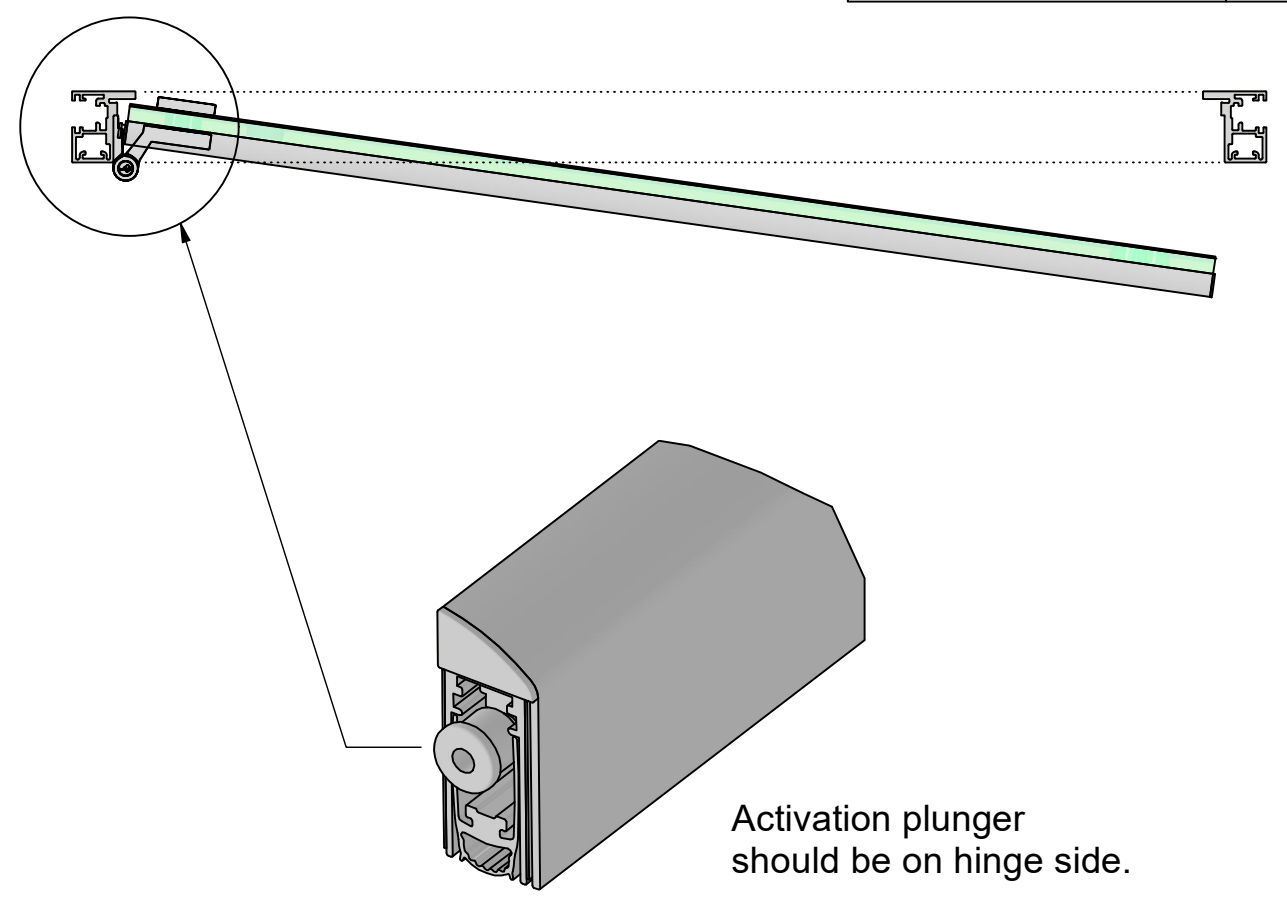


Installation on glass door:

- Remove tape protection
- Clean glass with isopropyl (do not use soap-based cleanser)
- Attach part 1 and 2
- Attach part 3 (cover)
- Attach side plugs



Activation plunger should be on hinge side.

To adjust pressure on floor (maximum drop height) turn the activation plunger:

- counterclockwise (+) to increase drop height
- clockwise (-) to decrease drop height

