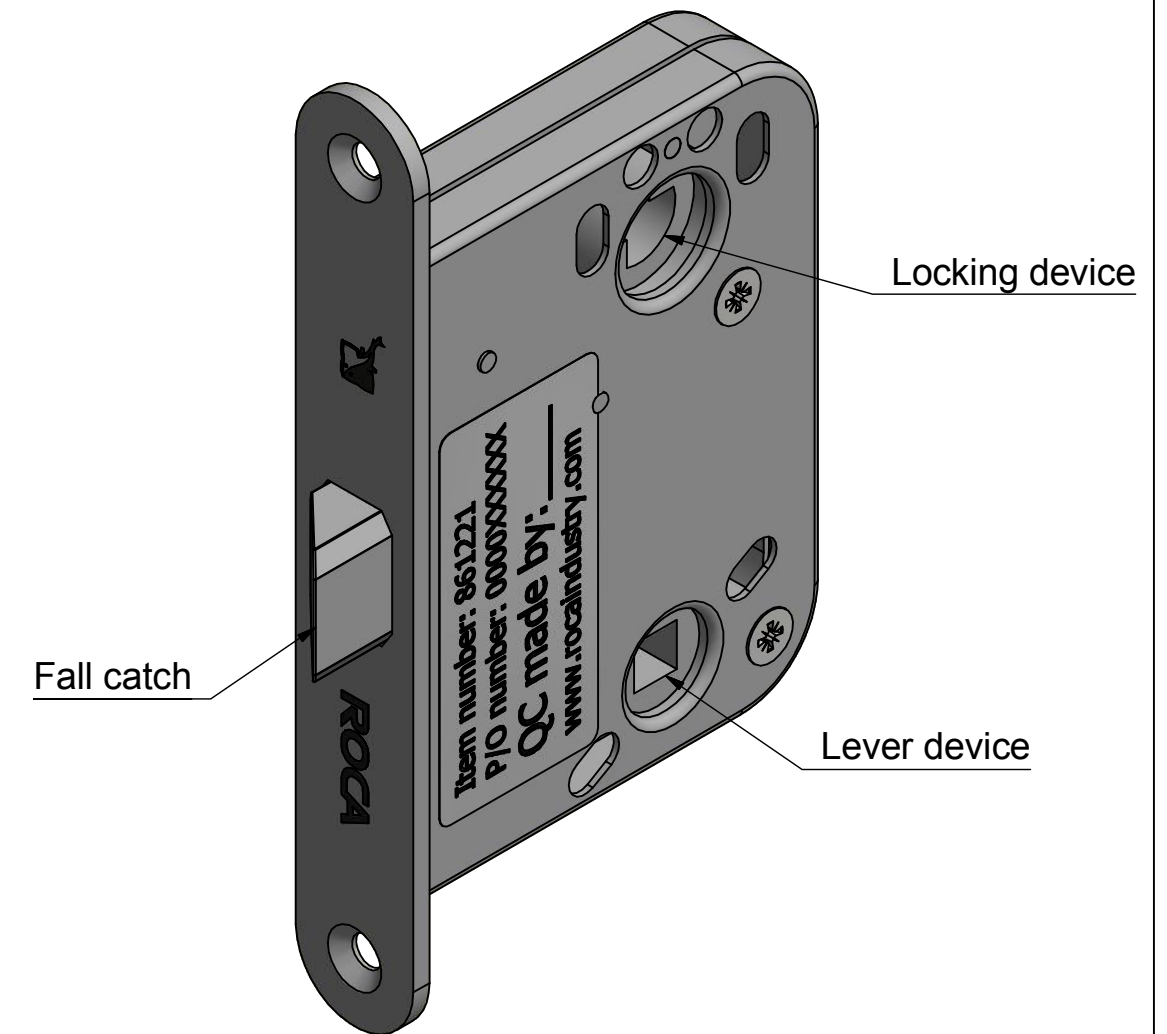
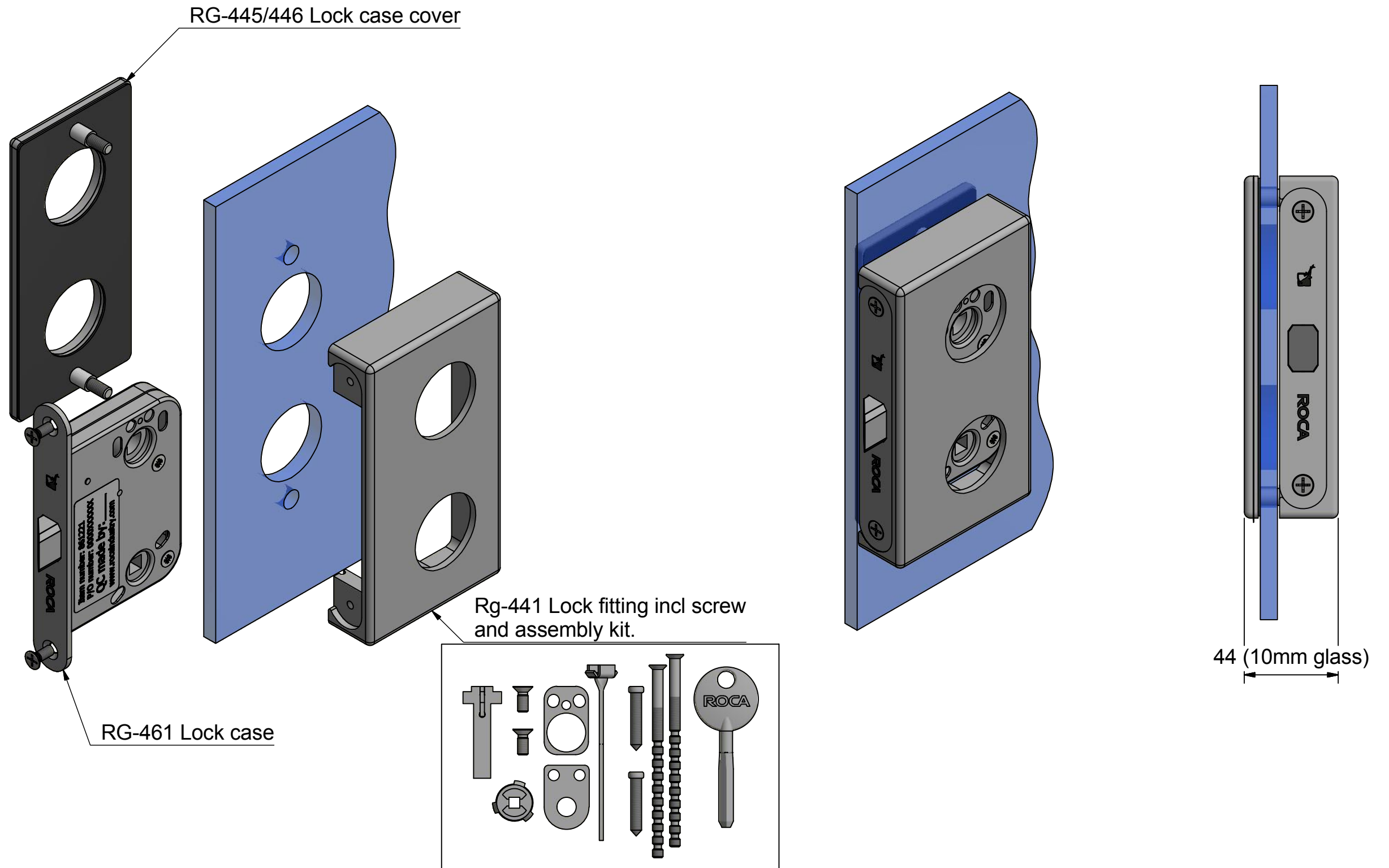


User instruction

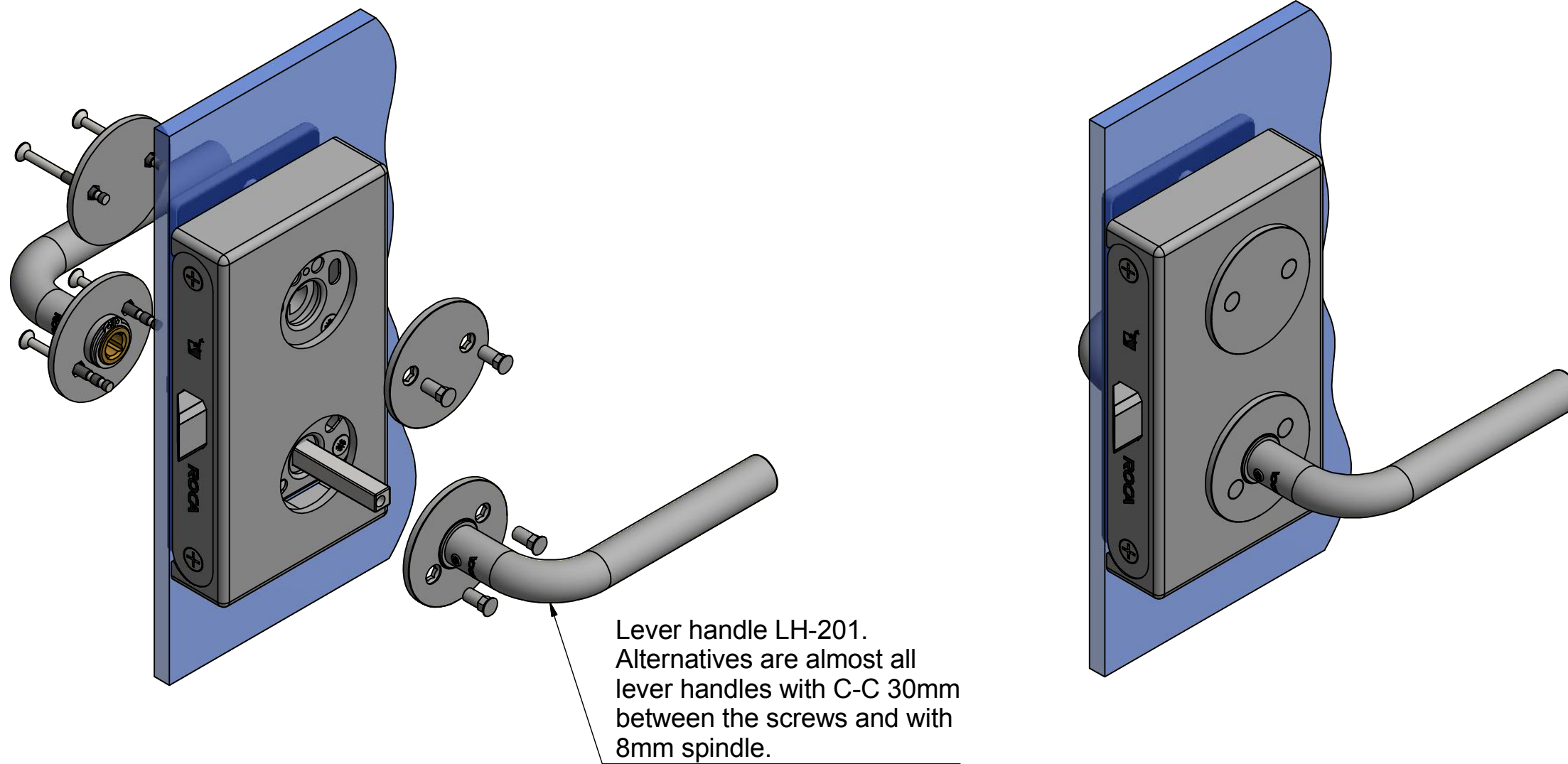
To latch the lock case, turn locking device 90° towards edge of door. To unlatch, turn 90° in opposite direction. To switch from right handed to left handed door, pull out fall catch and rotate 180°.







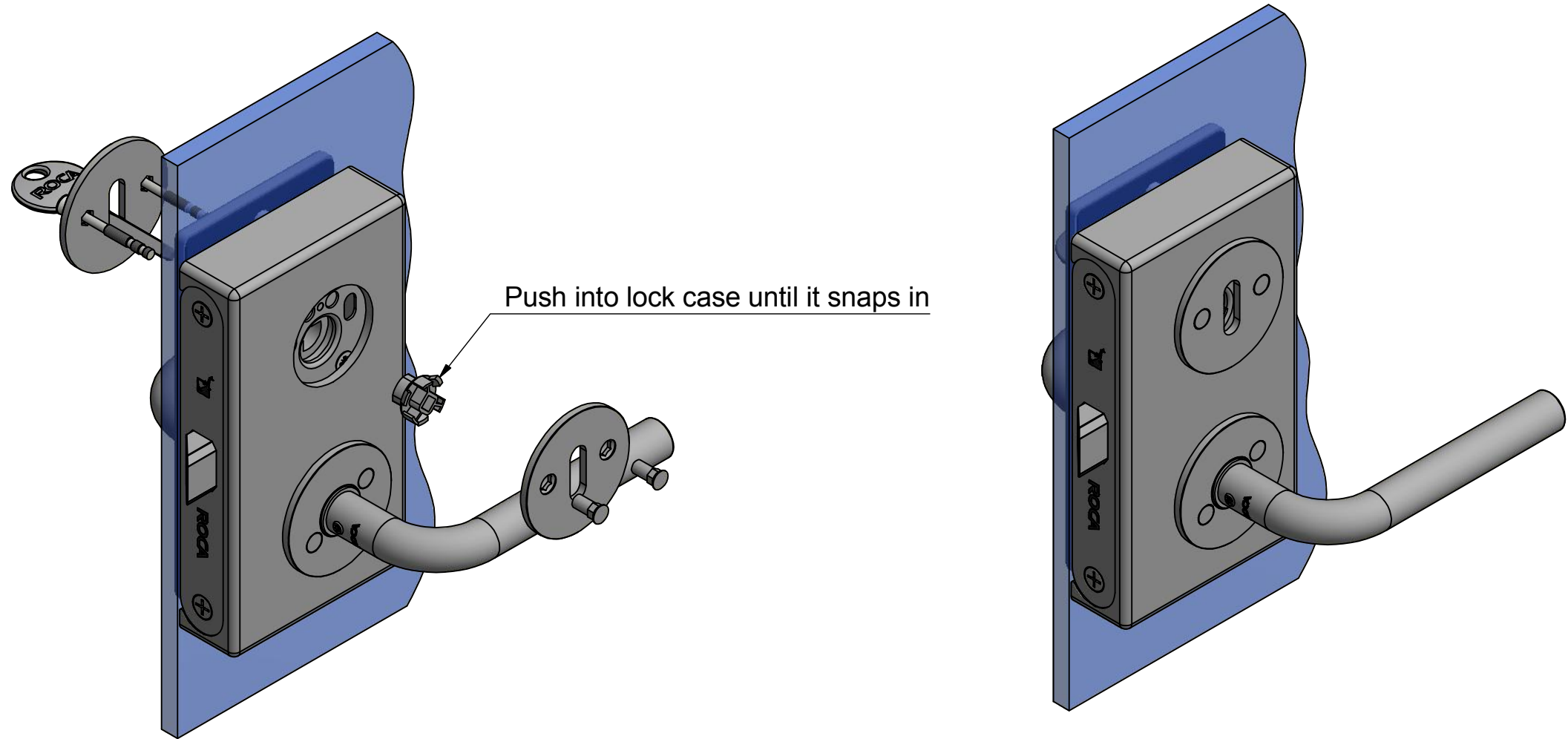
ROCA



Lever handle LH-201.
Alternatives are almost all
lever handles with C-C 30mm
between the screws and with
8mm spindle.



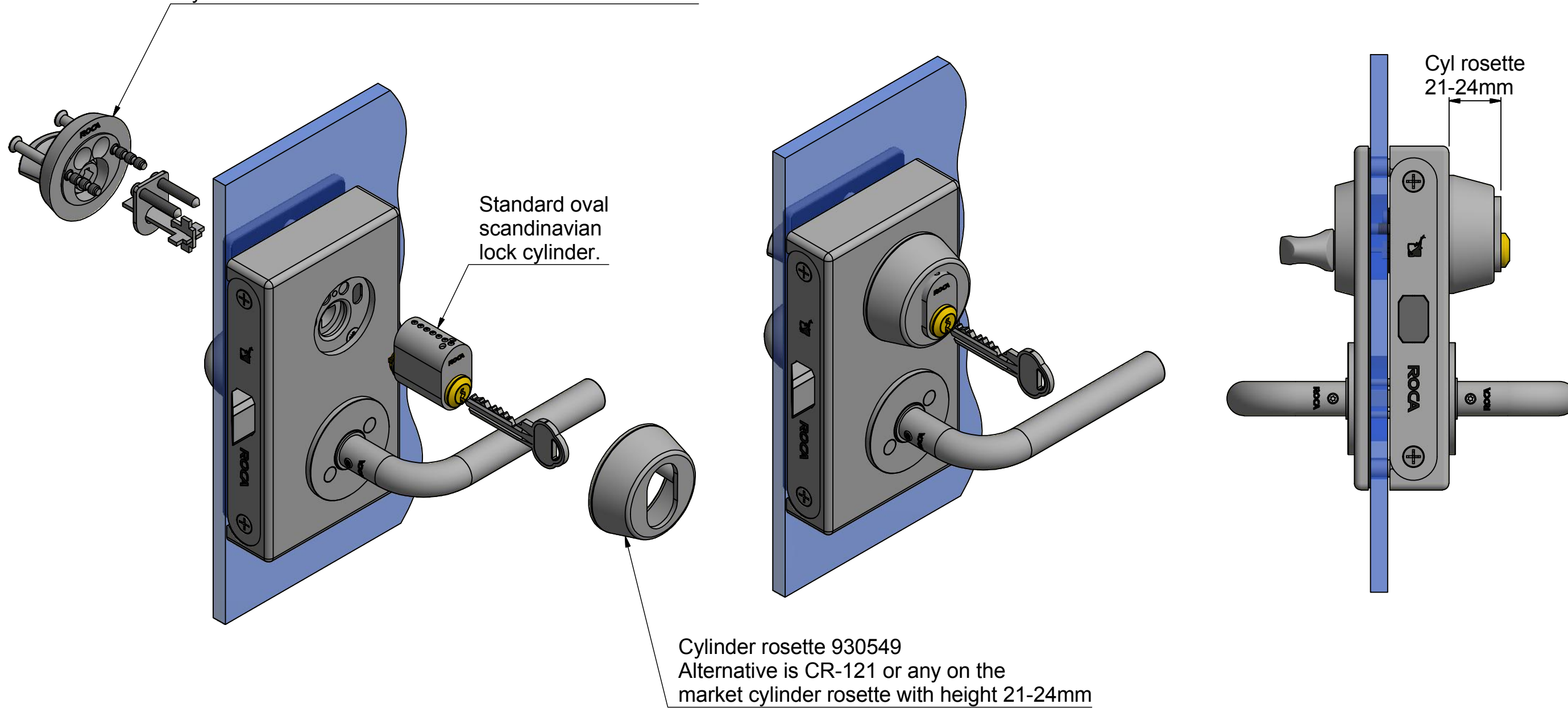
ROCA



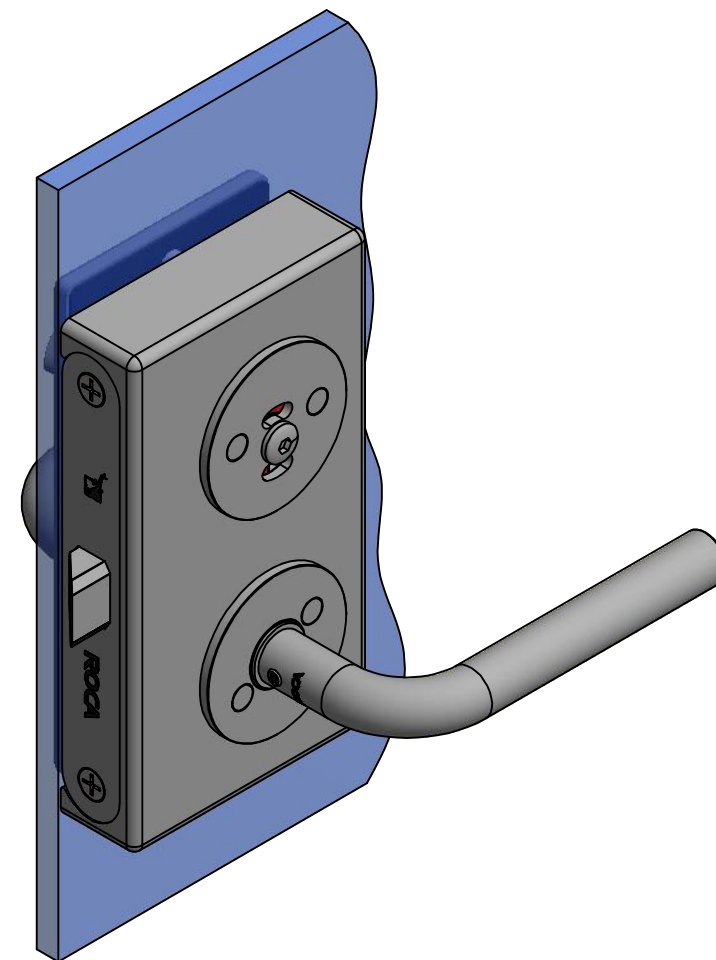
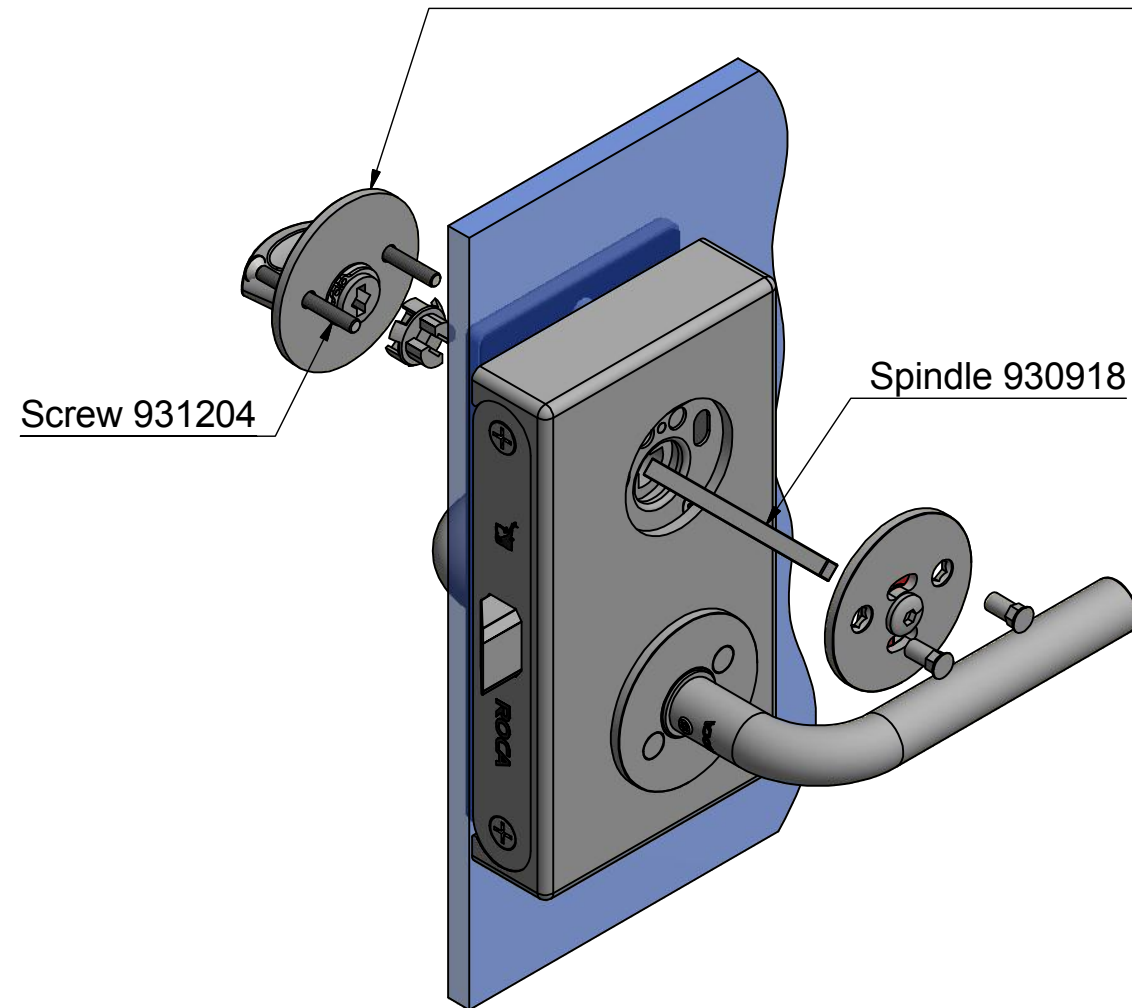


ROCA

Thumb turn TT-280. Alternatives are TT-100 or 200 or almost any thumb turn. Both Scandinavian or Finnish configuration fit. When use of Finnish standard turn the cylinder rosette 180°.



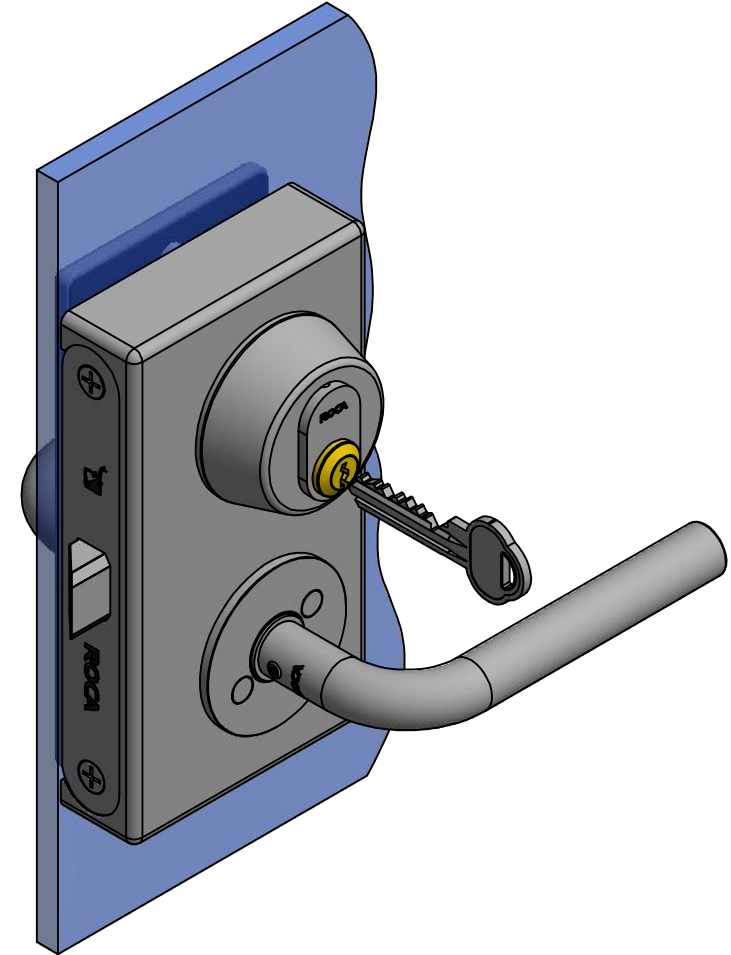
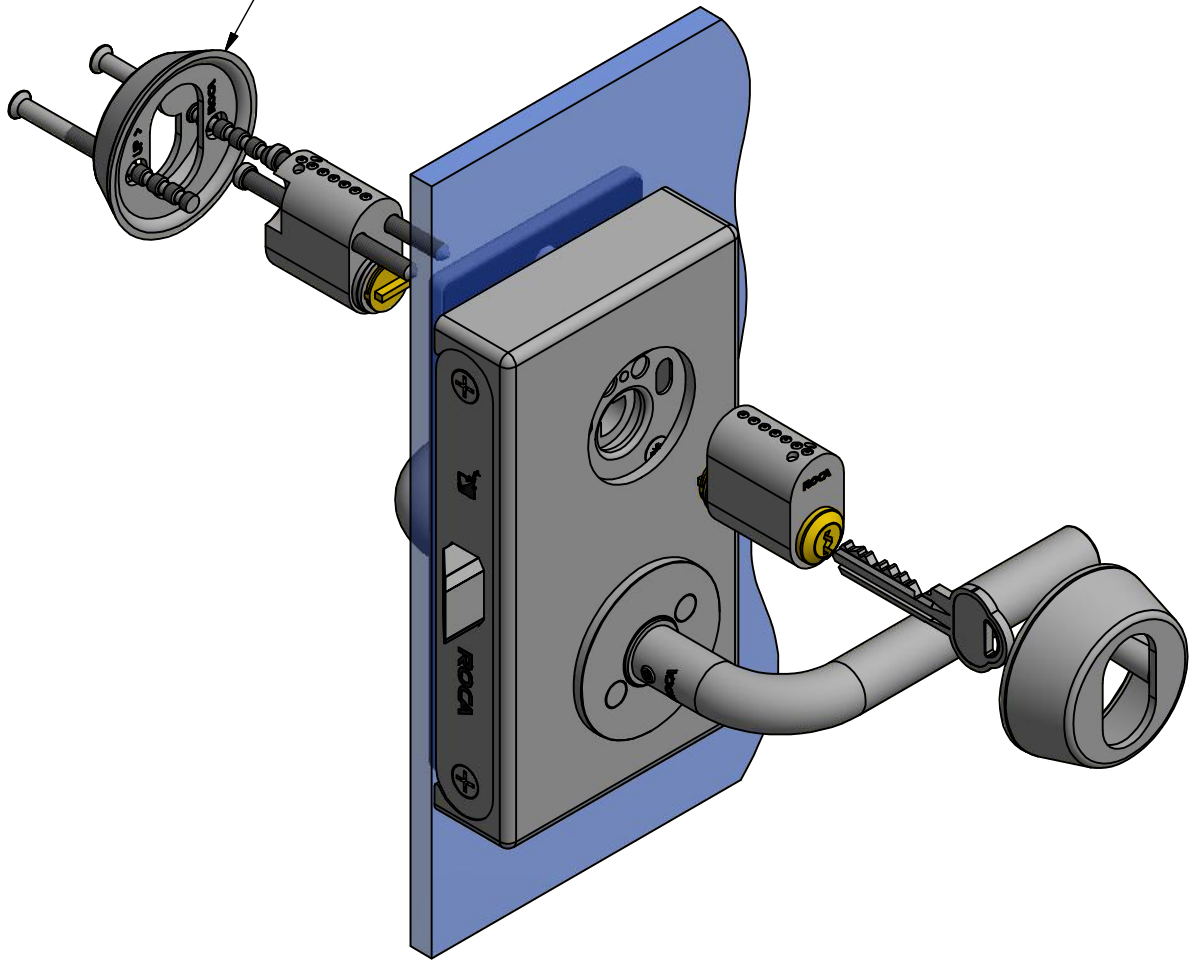
TL-6 Toilet turning device including indication.
 Alternatives are devices for 2014 or 565 lock case
 with C-C 30mm between the screws.



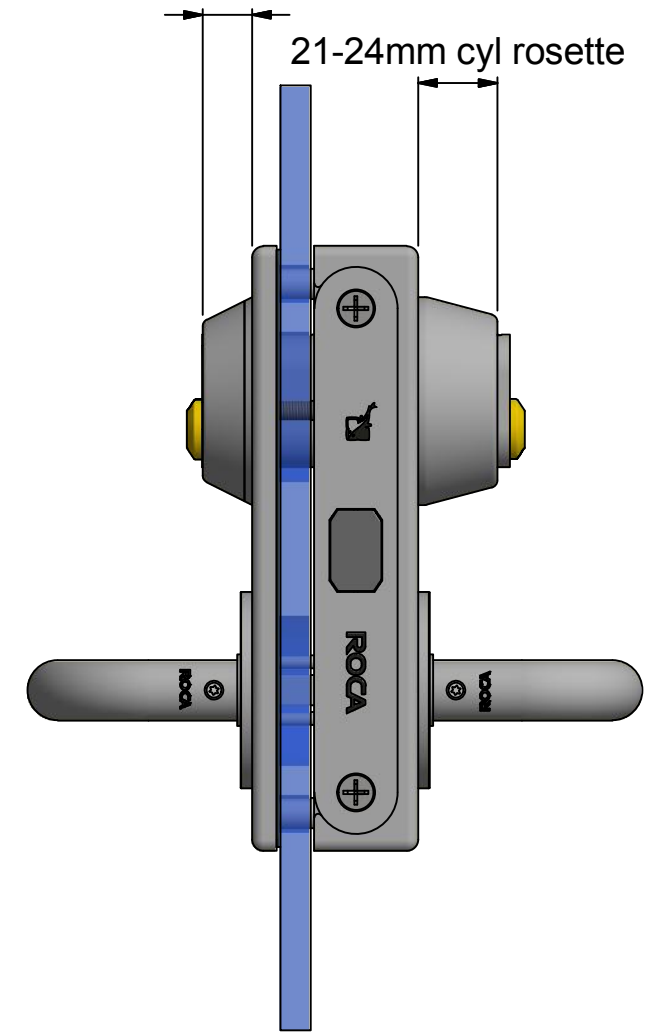
Page 7. Lock case with double cylinder assembly and lever.



Cylinder rosette rukoko (930554) or similar standard 13mm rosette.

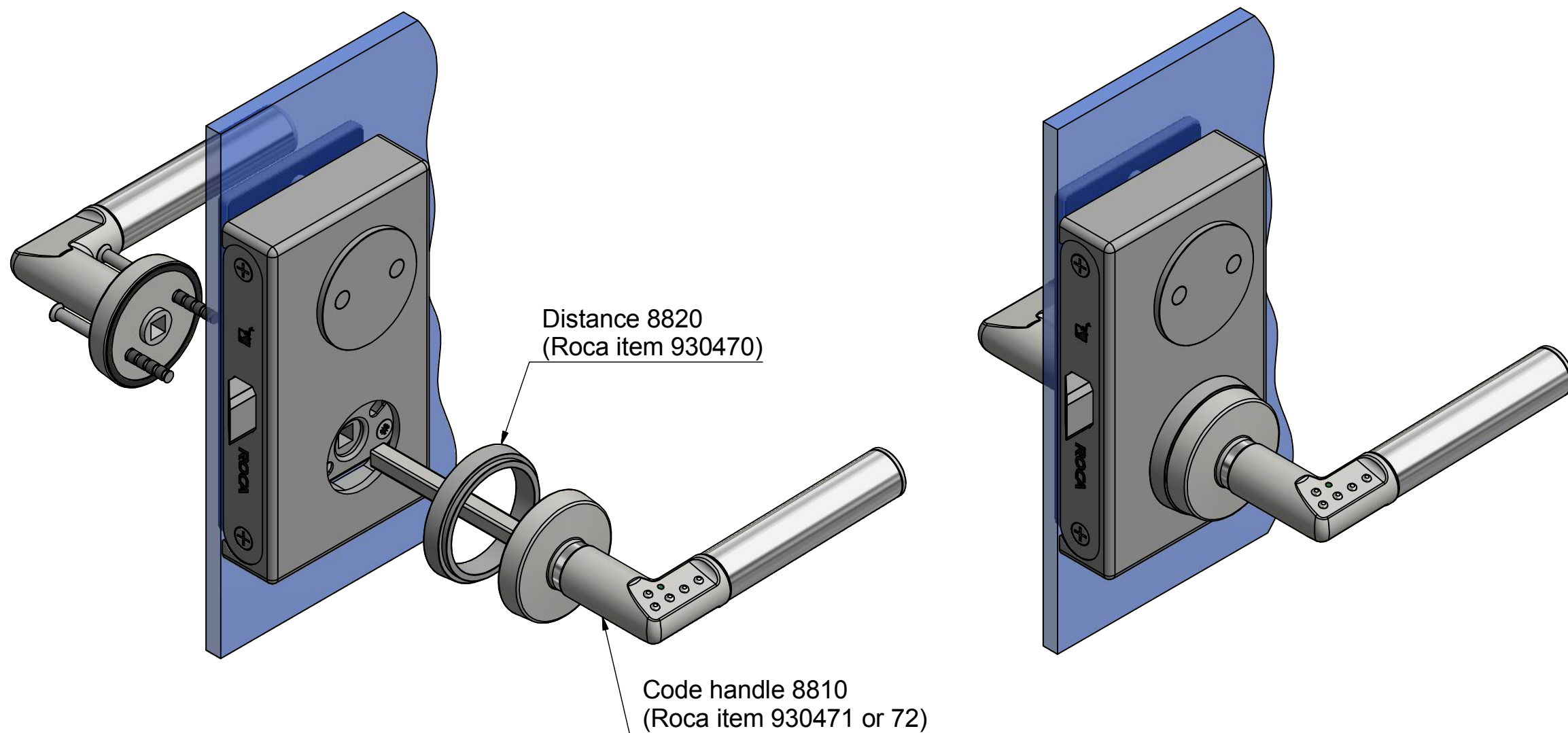


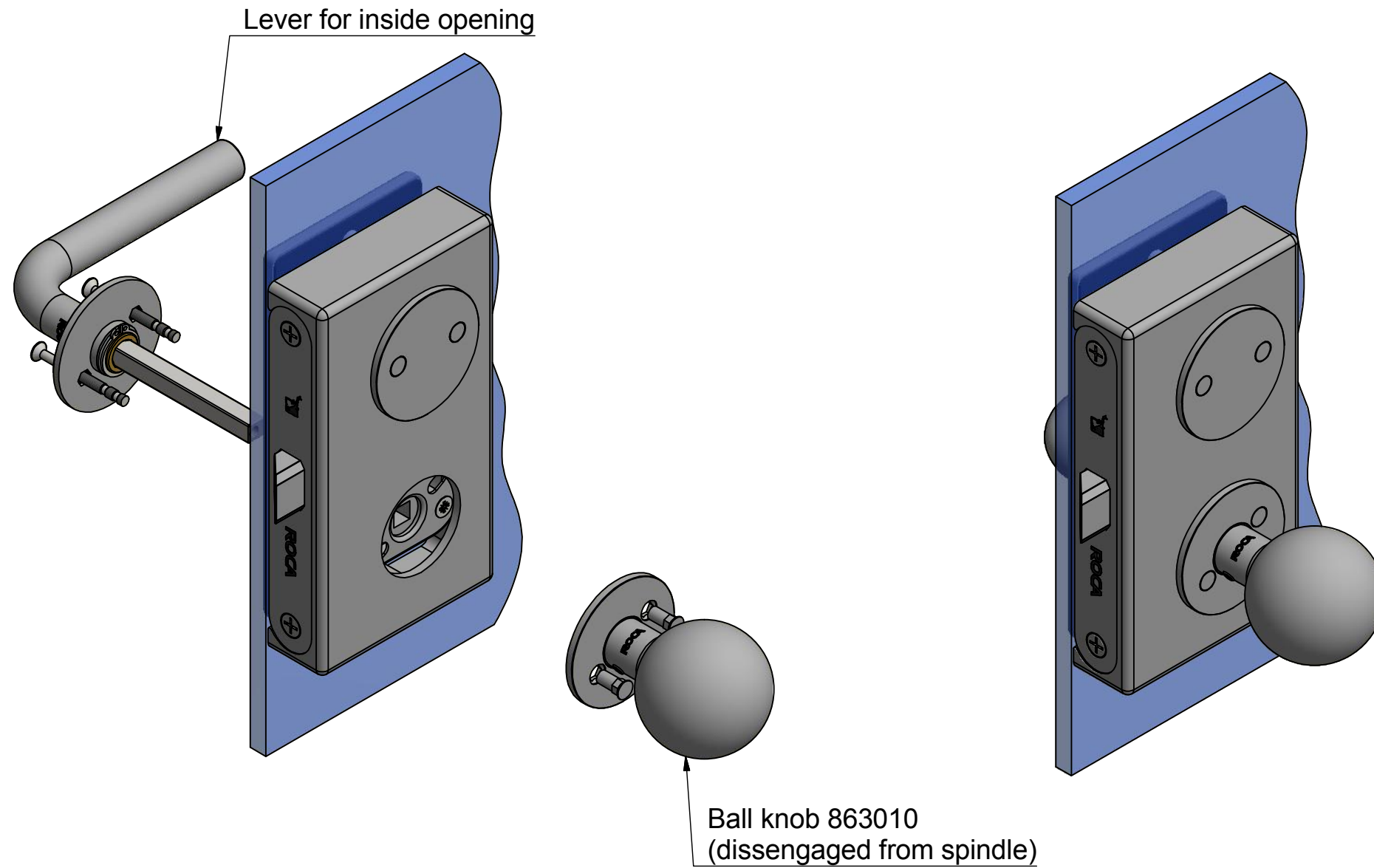
13mm cyl rosette (10mm glass)
21-24mm cyl rosette





ROCA





Example of configuration when use of lock case RG-461 in combination with electrical strike plate RG-589