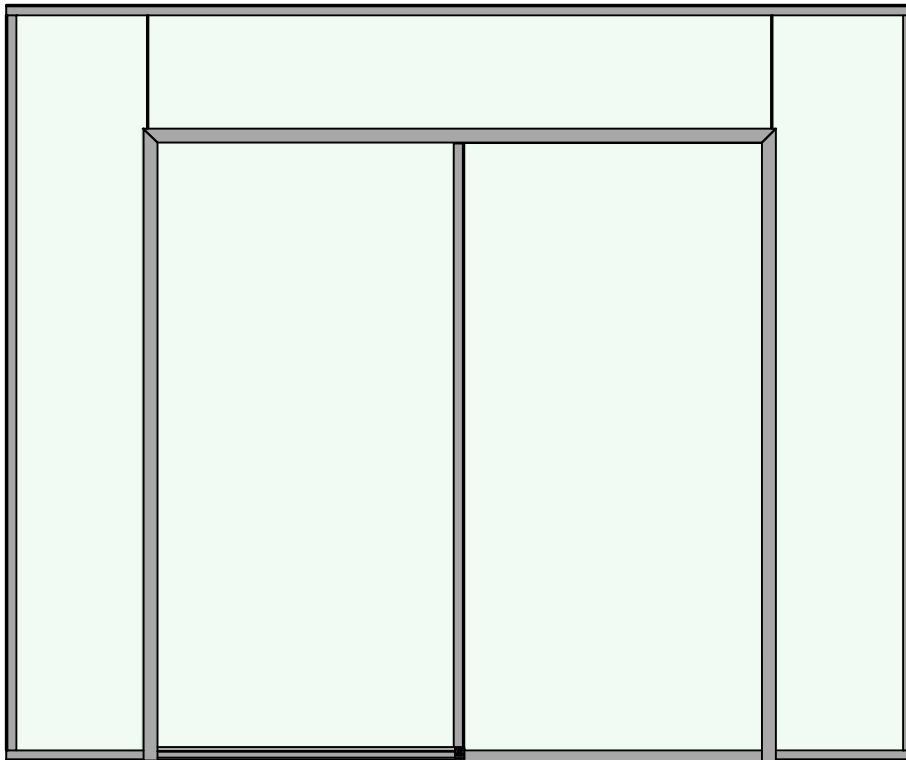




ROCA decibel sliding door Installation manual



Two people are needed for a safe installation!

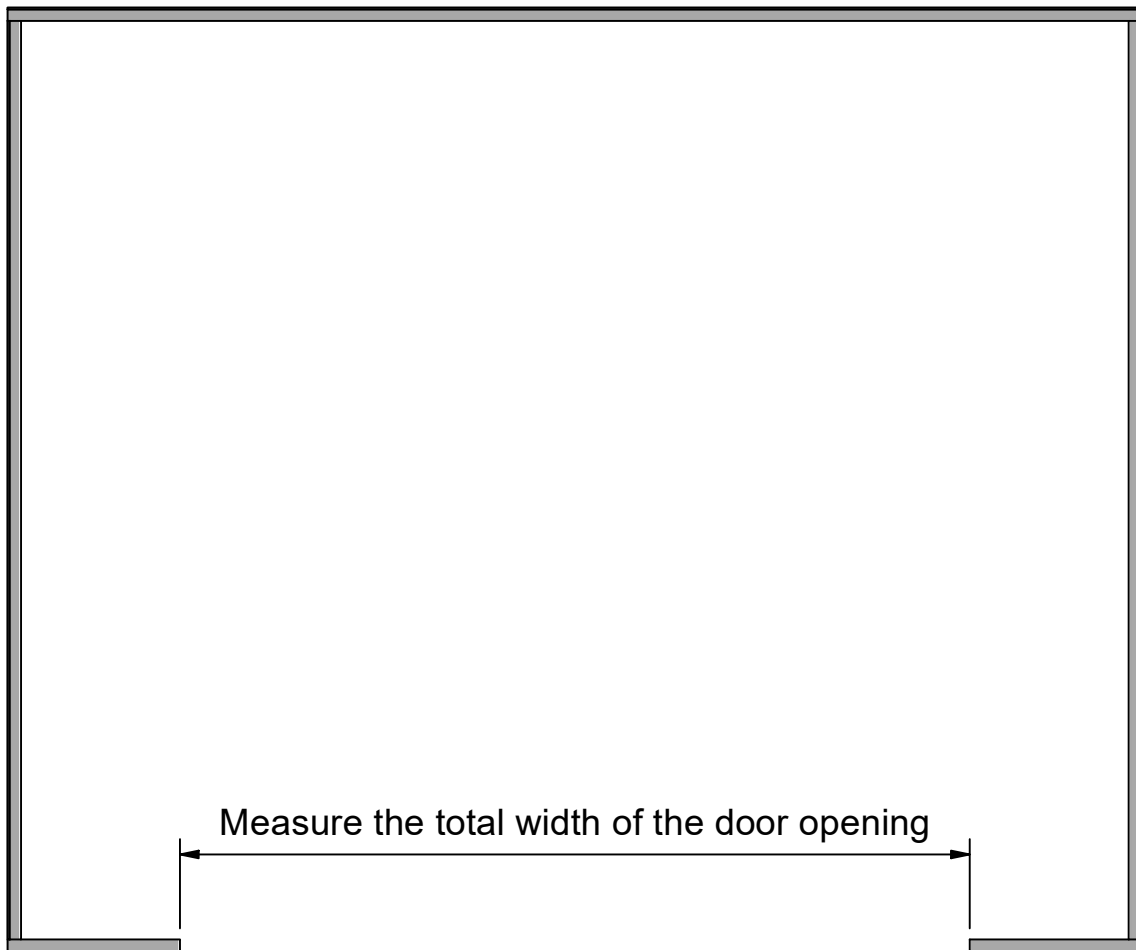
Attention! Use torque tool when controlled tightening is required.
Torque tool available as option, item no: 861752 for 2 Nm and 861755 for 5 Nm.

This manual shows the door on the left, reverse assembly is possible.

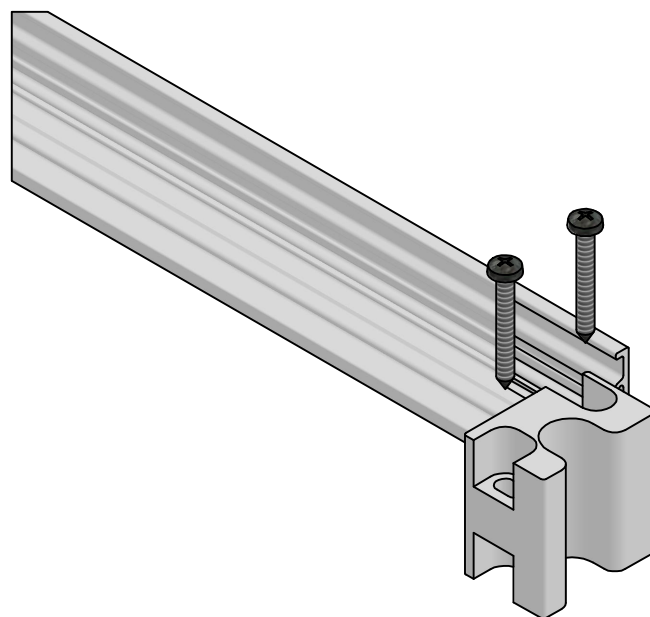
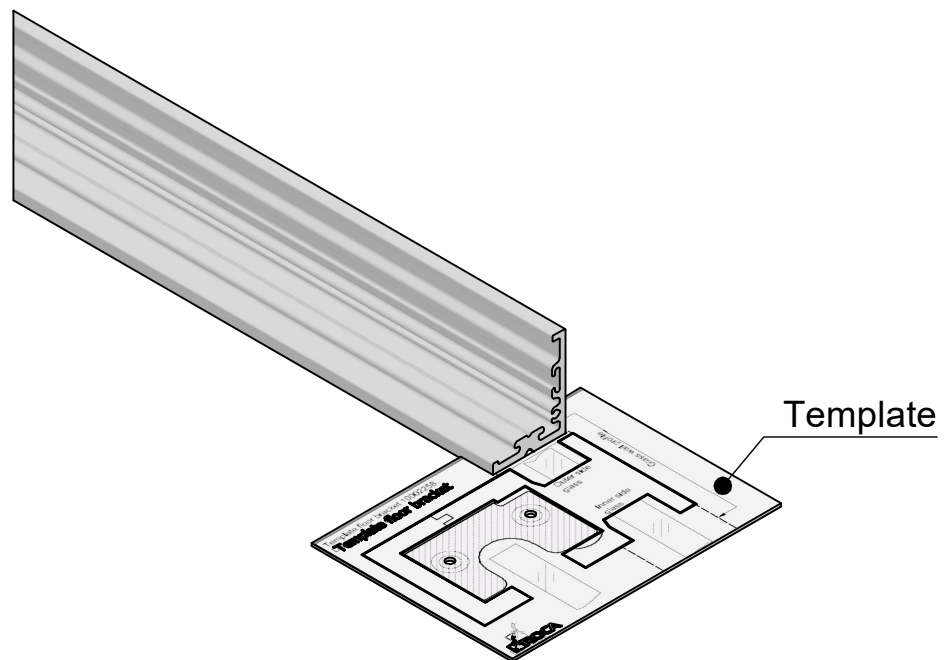
Cleaning of glass with attached 3M surface cleaners or isopropyl alcohol.

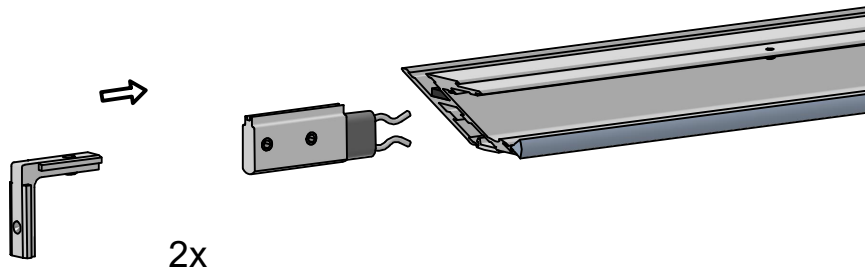
For installation against a fixed wall, external profiles are not used.
Assembly to wall can then take place through pre-drilled frame holes.
For dimension and location of the holes, see download
Decibel sliding door - frame holes for wall attachment.

Determine the location of the door and mount surrounding profiles.



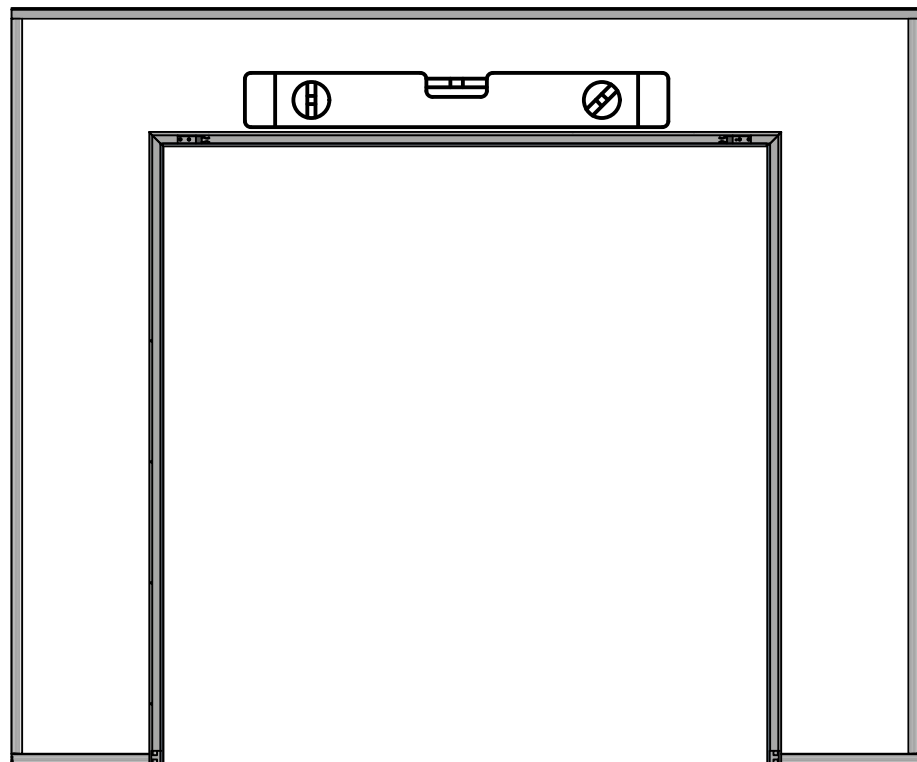
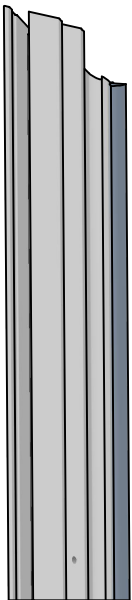
Attach the floor fittings to the floor.





Assemble and place the main frame.

Place the door stoppers and corner fittings.
Make sure the frame is level.



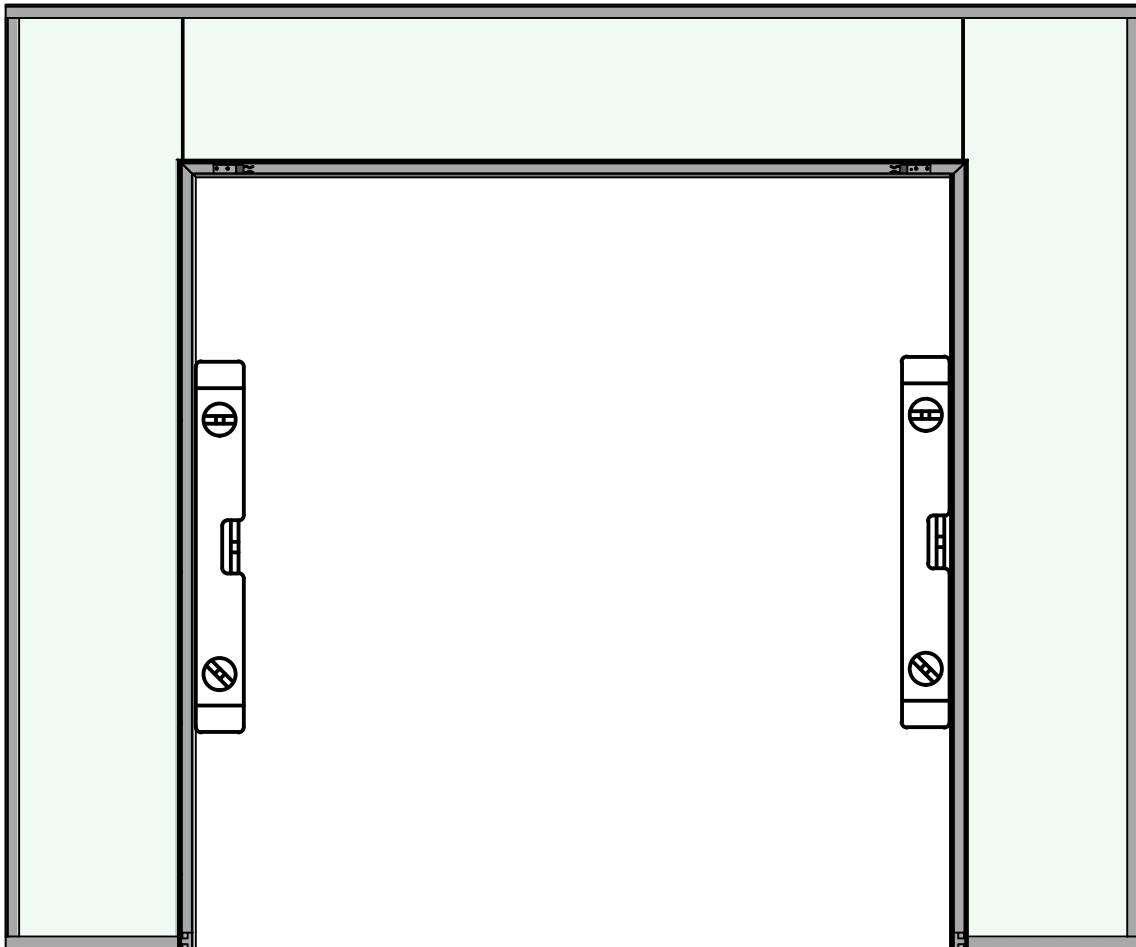
Install sidelights and toplight.

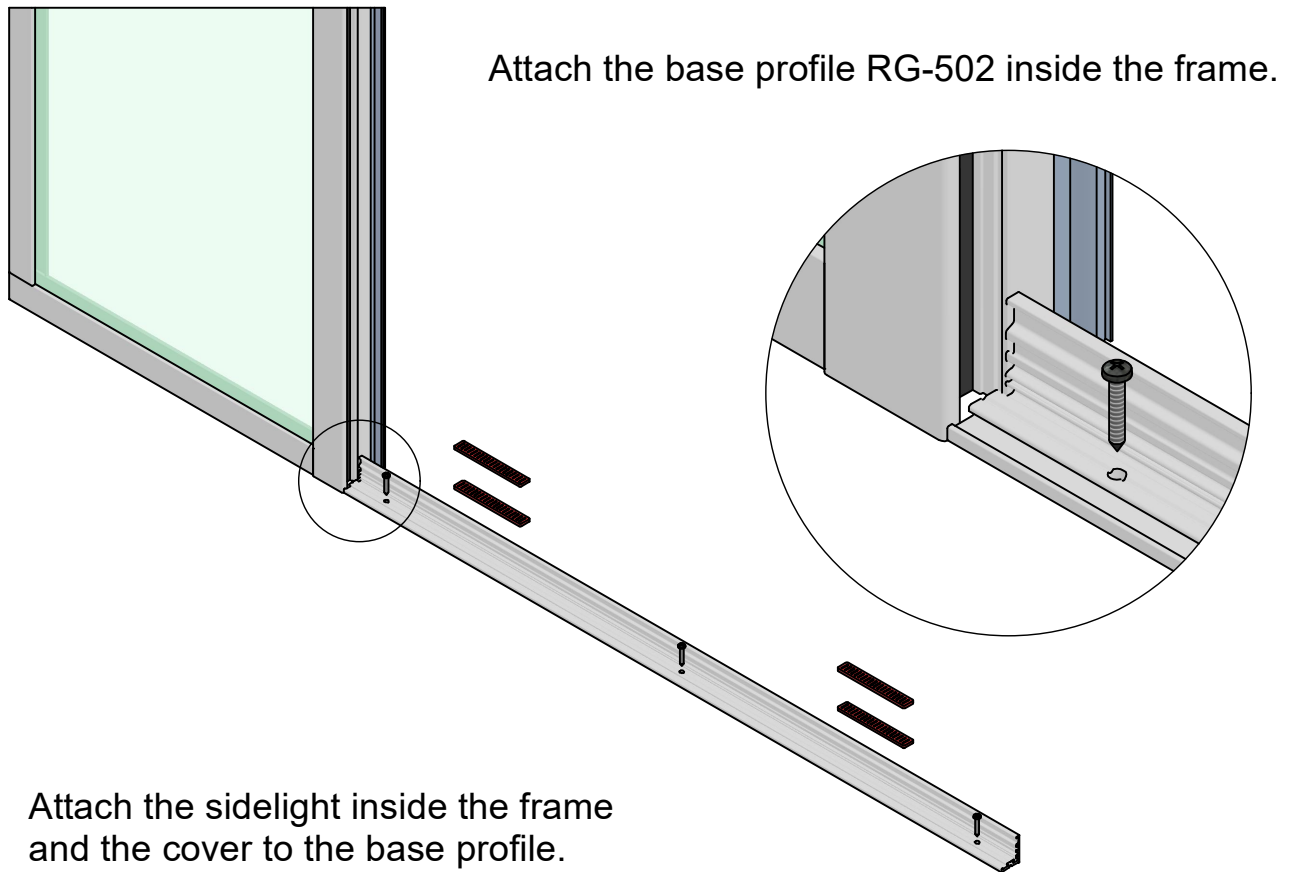
Place all wedges/base-profiles around the glass parts.

For outside sliding door profile, use wedge + wedge RG-521

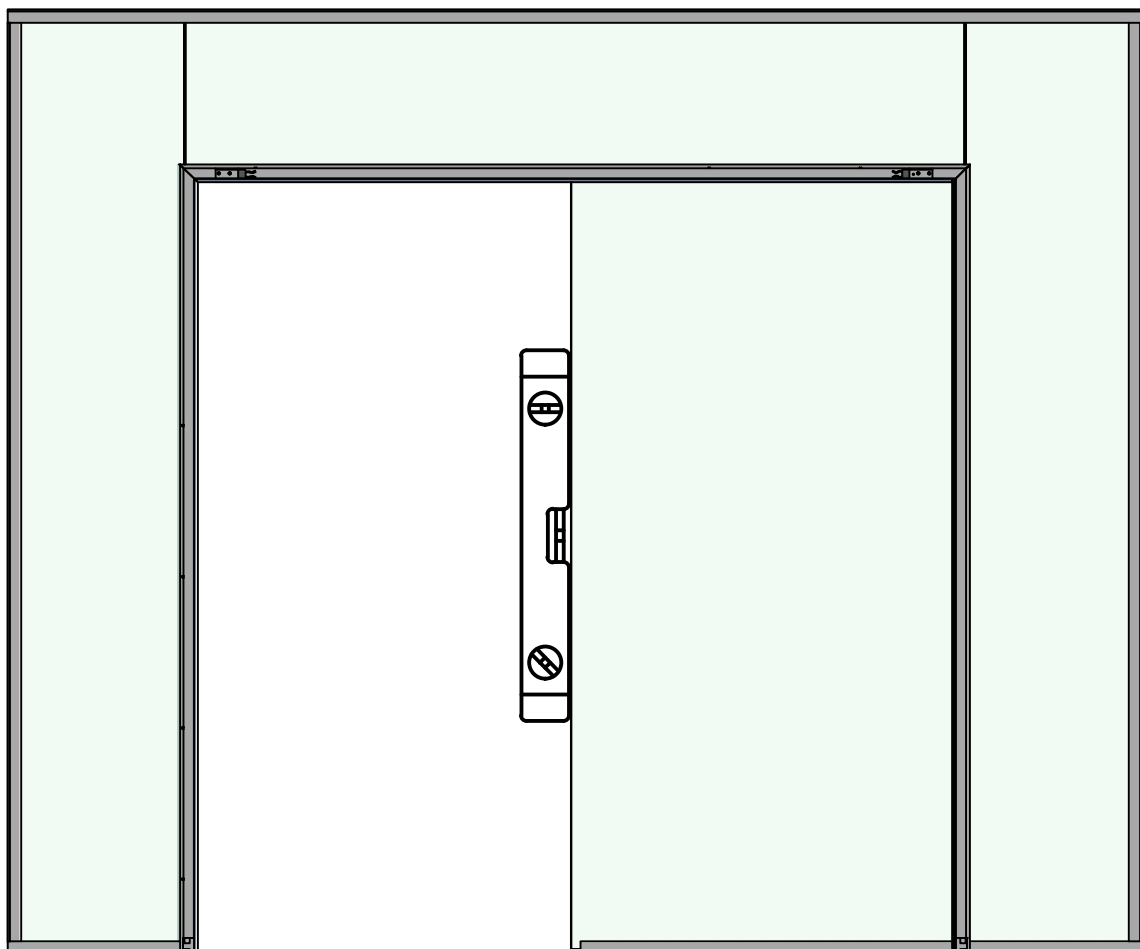
For surrounding profiles use wedge + wedge or wedge +
bas profile (RG-521 and RG-520)

Check the level

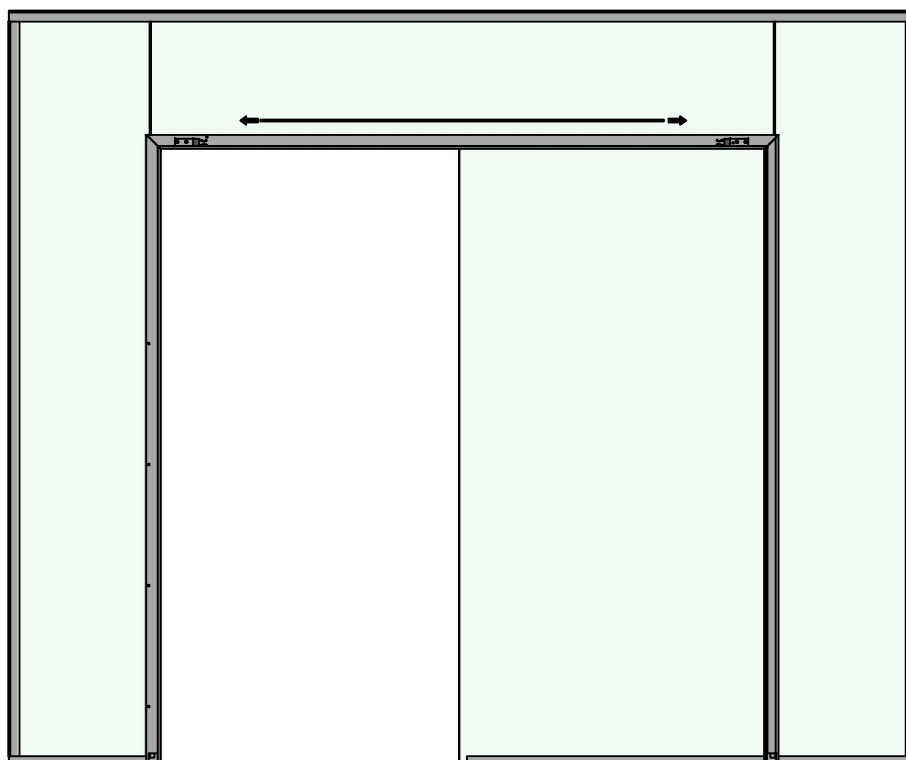
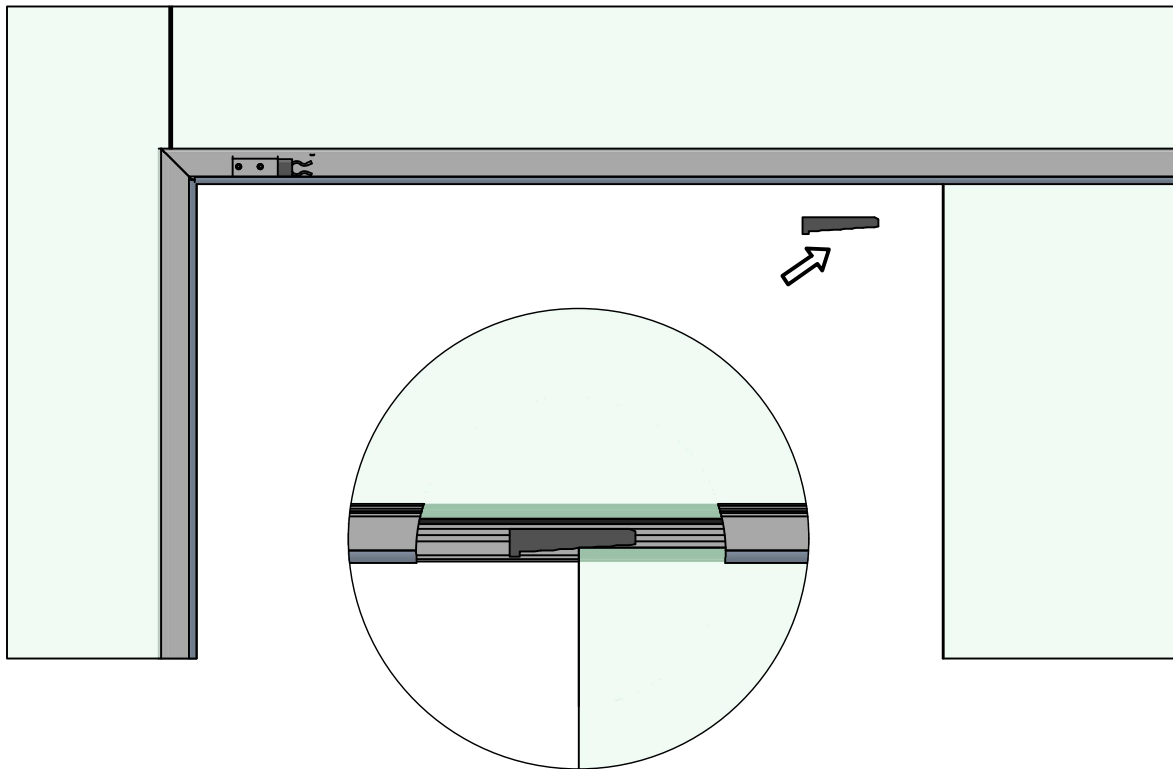




Attach the sidelight inside the frame and the cover to the base profile.
Check the level.



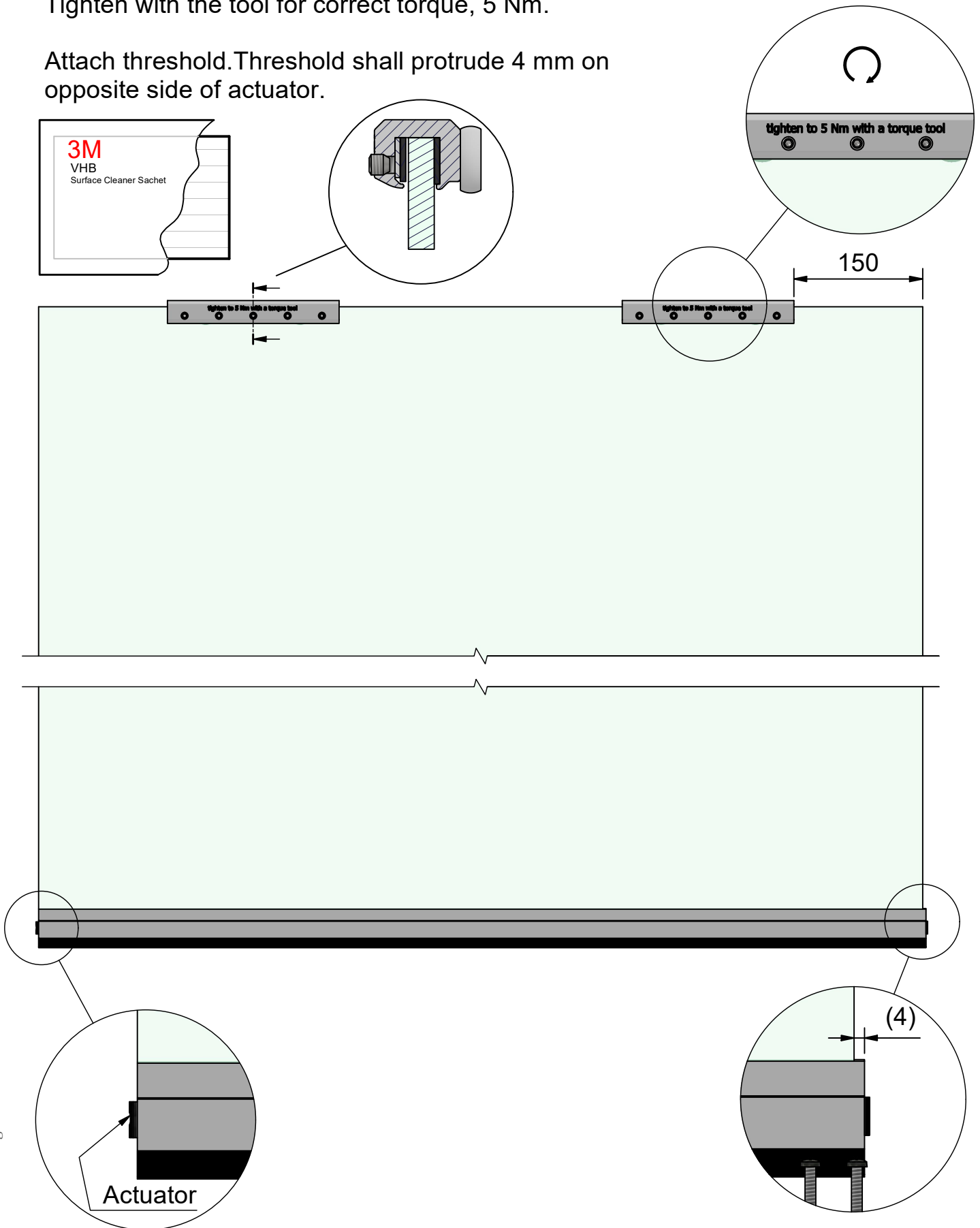
Push the wedge between profile and glass until the horizontal frame part is straight.



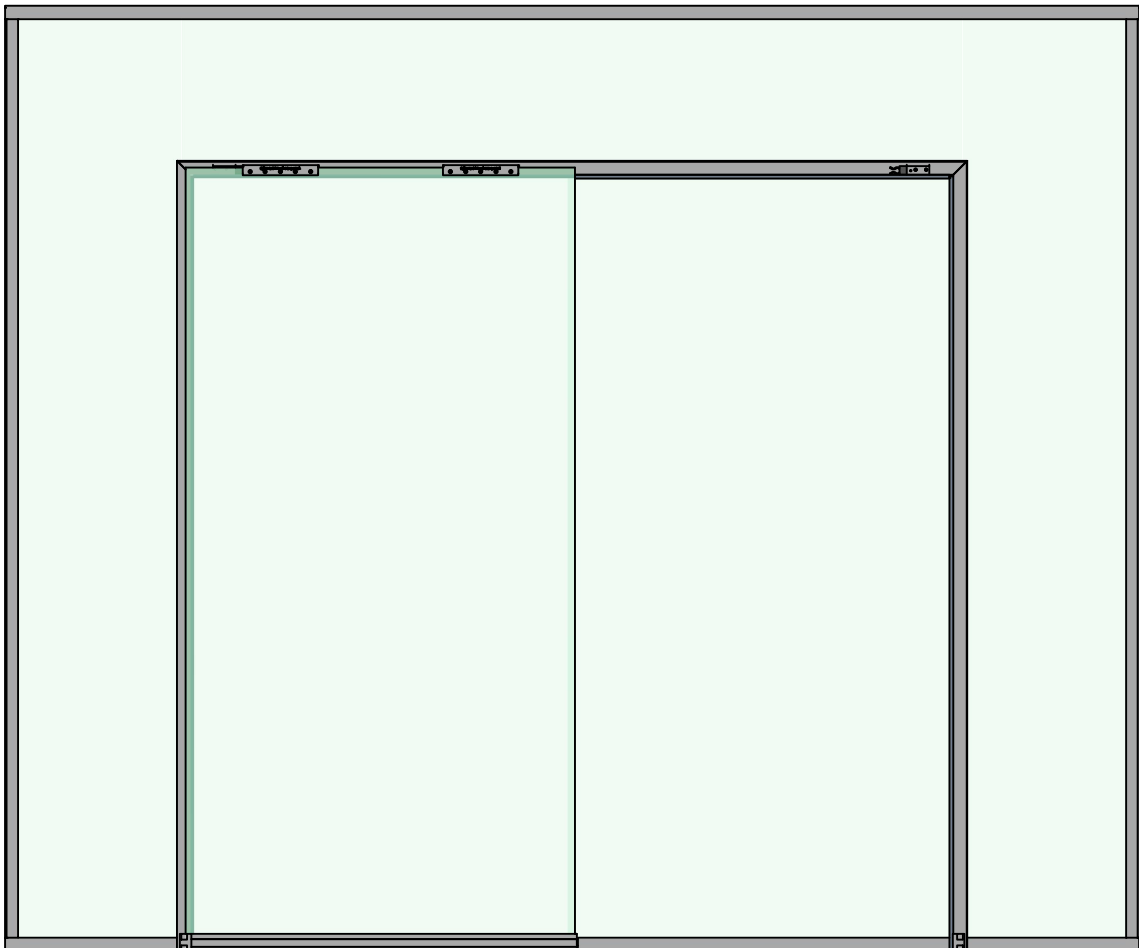
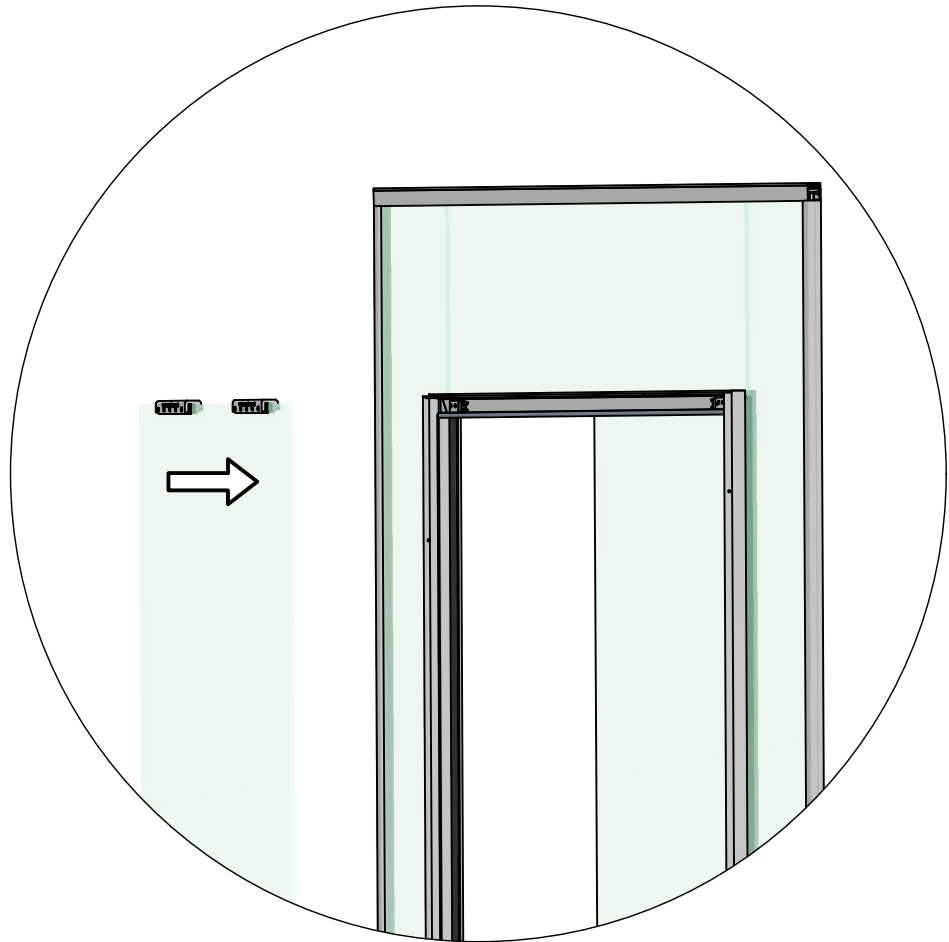
Clean the top and bottom of the door.

Attach the wheel set 150 mm from the edge.
Tighten with the tool for correct torque, 5 Nm.

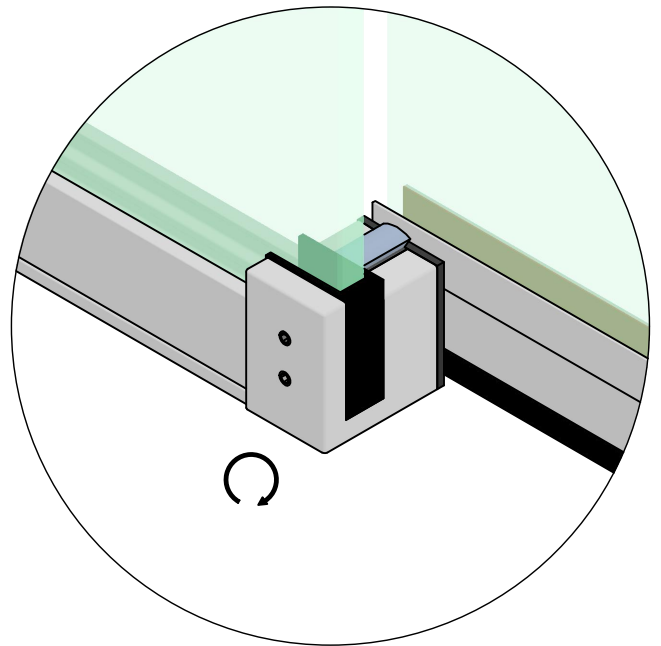
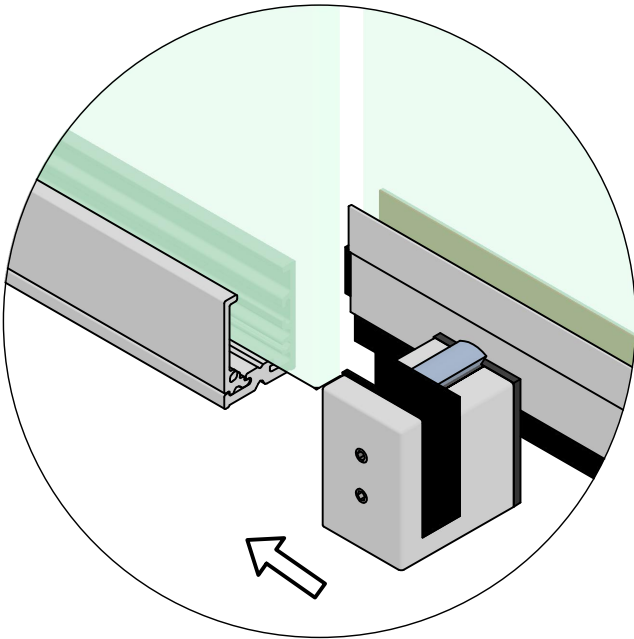
Attach threshold. Threshold shall protrude 4 mm on opposite side of actuator.



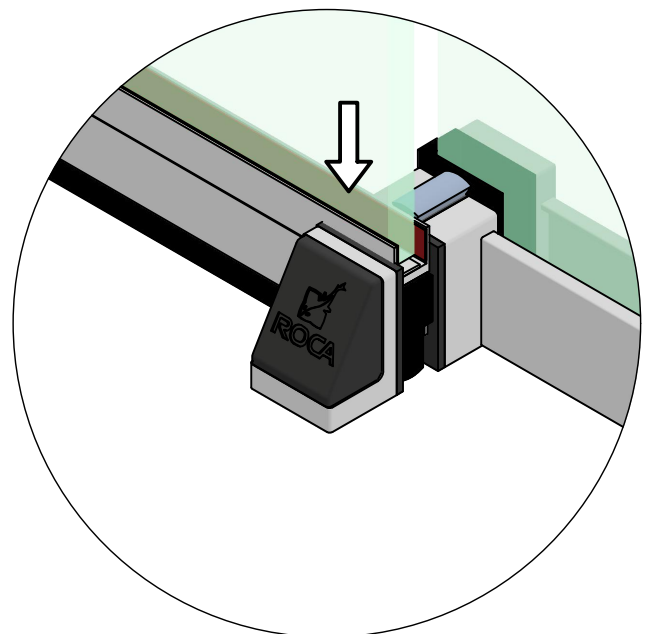
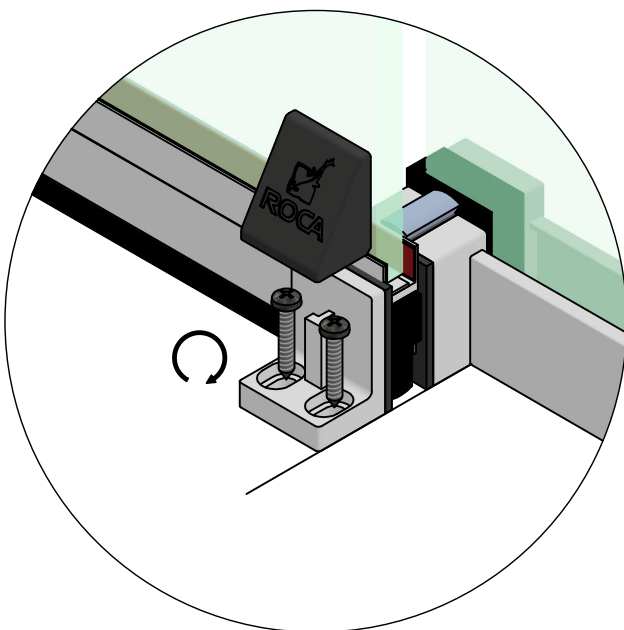
Clean the wheel track rail.
Keep the door vertical when hanging it on the rail.



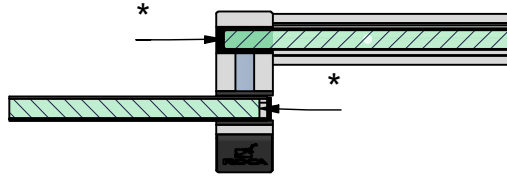
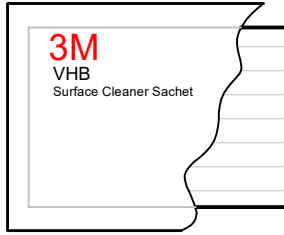
Mount inner door guide, tighten both M5 screws.



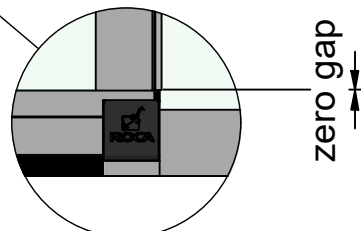
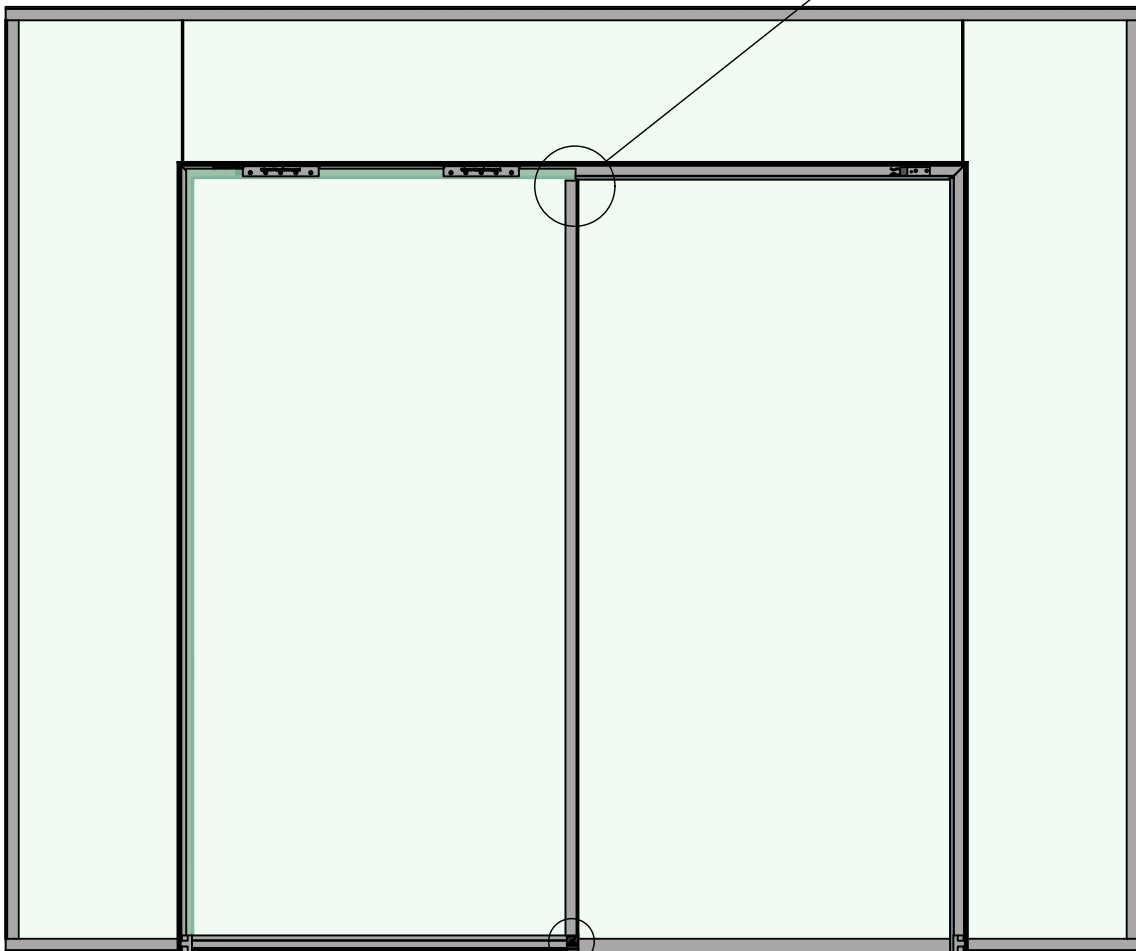
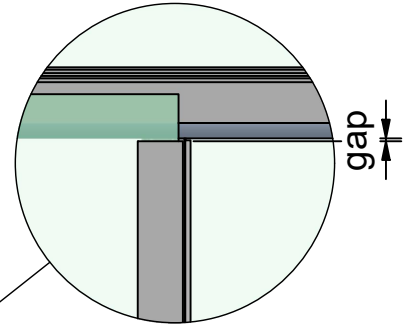
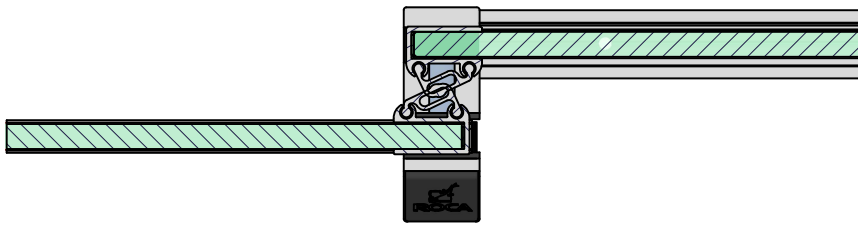
Attach outer door guide leaving some space to the threshold.



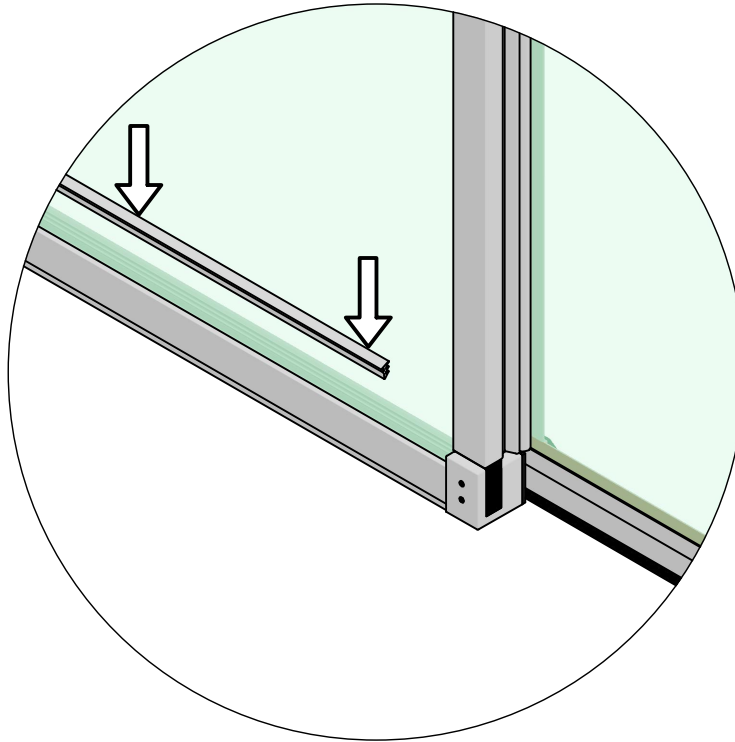
Clean both vertical edges* of the glass panes.



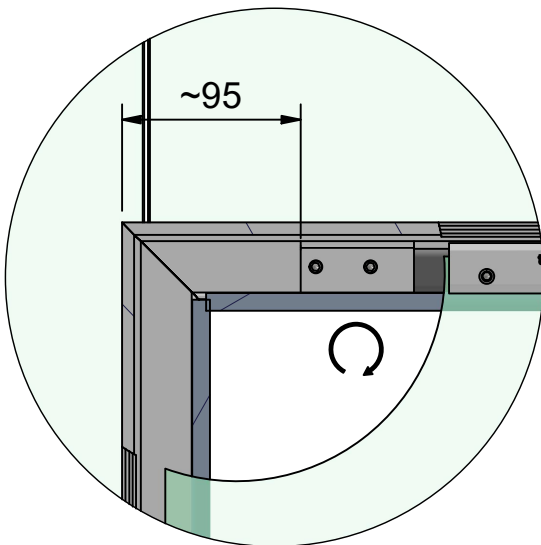
Attach vertical sealings. The door sealing against the threshold with some distance to the upper frame.



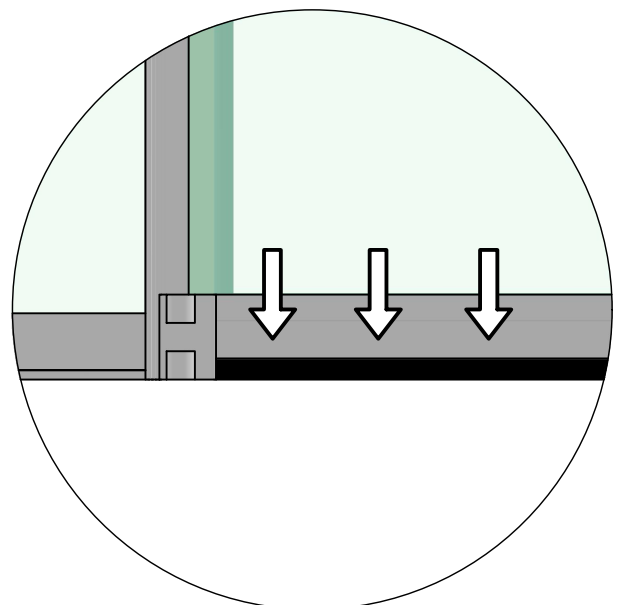
Mount wedge sealings for sidelight inside the frame.

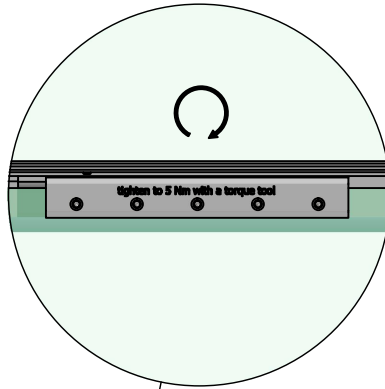


Adjust and tighten both door stoppers.
Adjust to about 95 mm from the edge of frame on the closing side.
Open position, adjust so that pull handles, lock case etc. do not hit the vertical seal and that pinching of fingers is avoided.

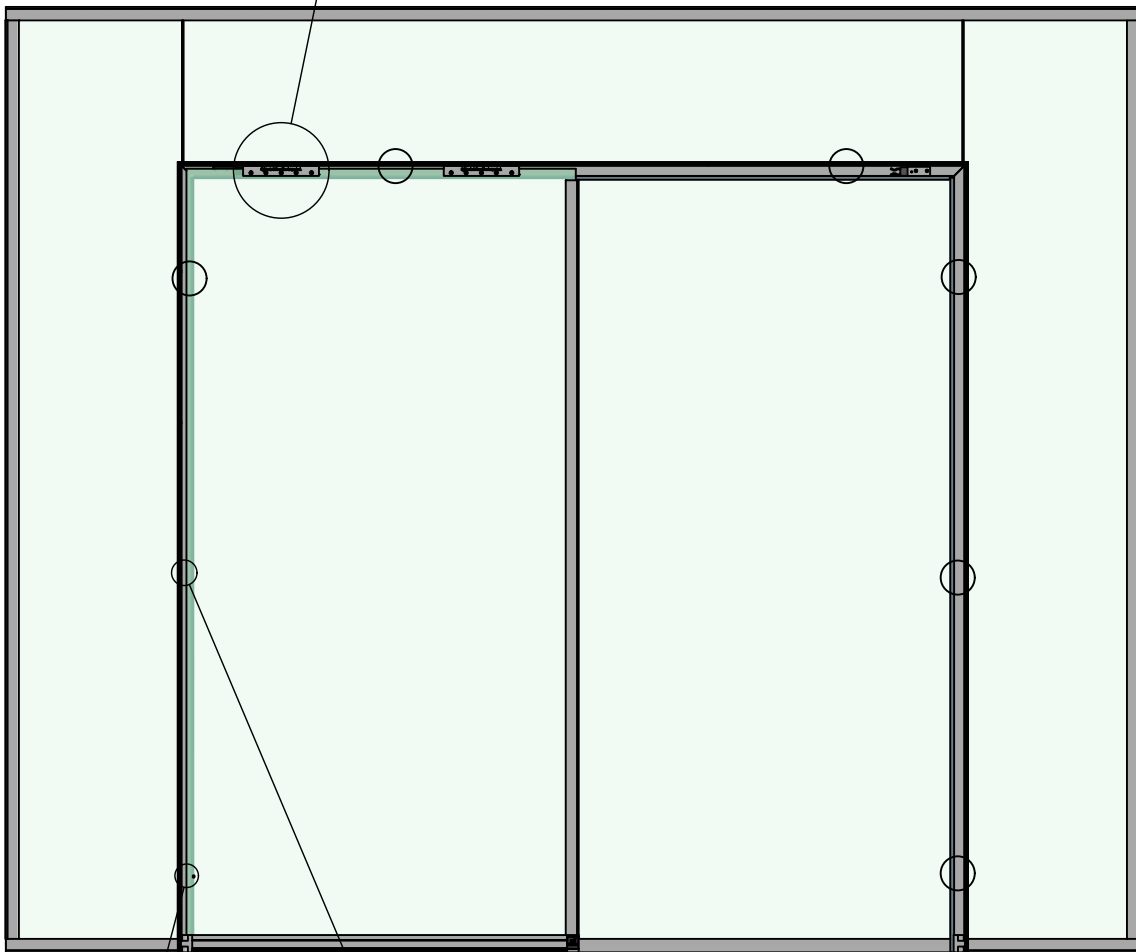


Check that the automatic threshold closes tightly when door is shut.

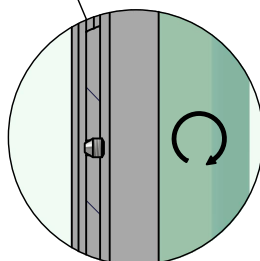
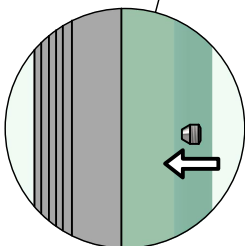




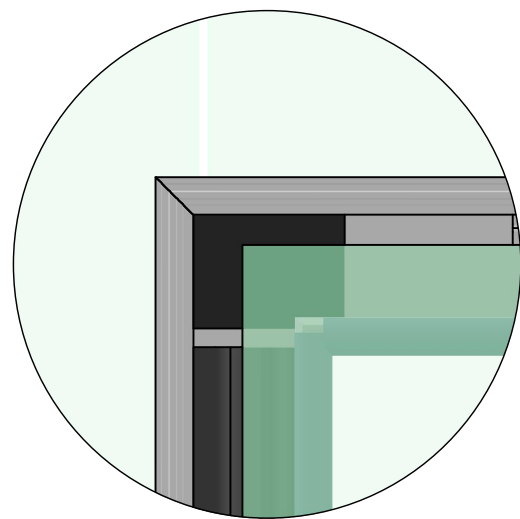
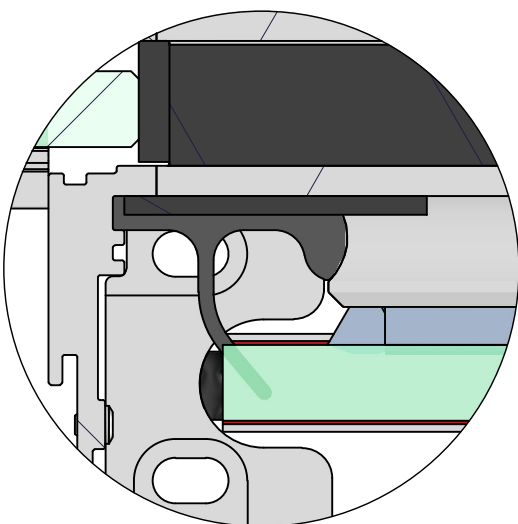
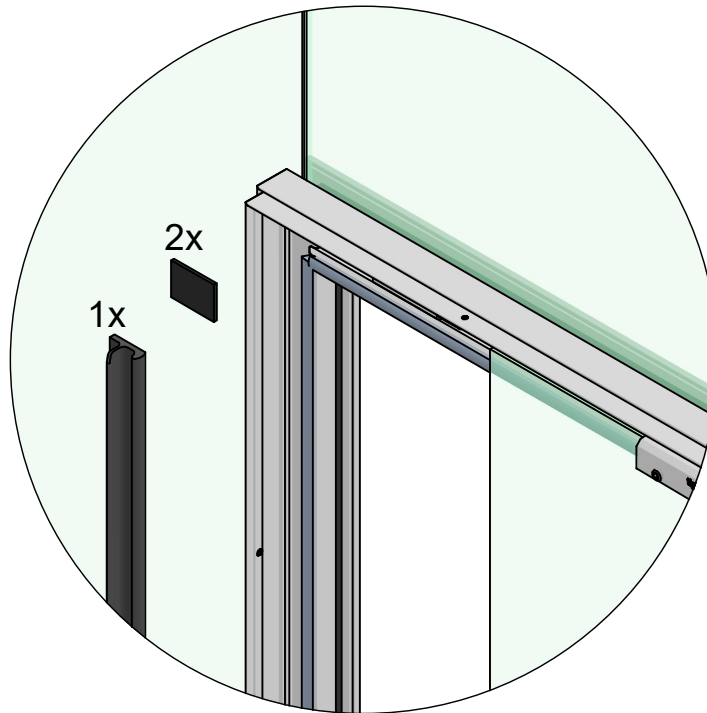
Tighten wheel sets to 5 Nm once more.



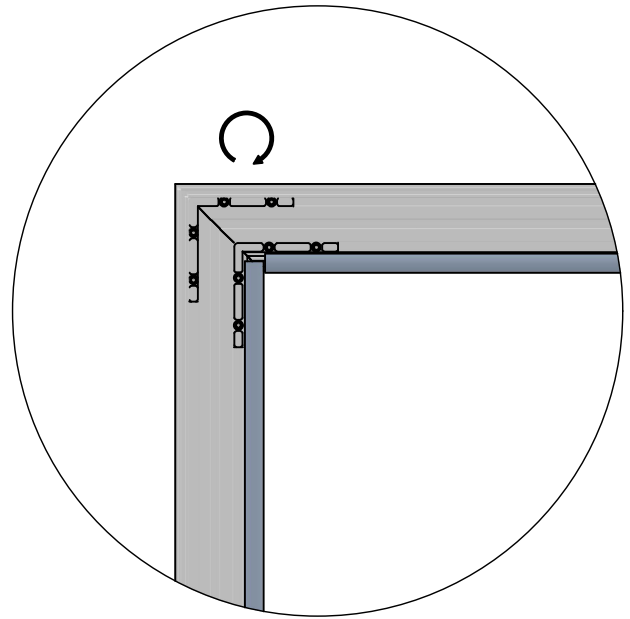
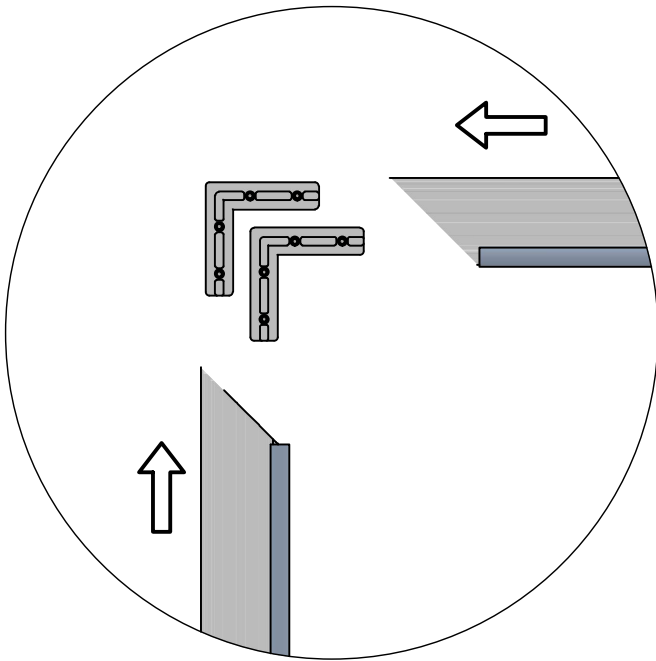
Attach M5 screws to main frame (8 pcs).
Don't let them protrude to the other side.



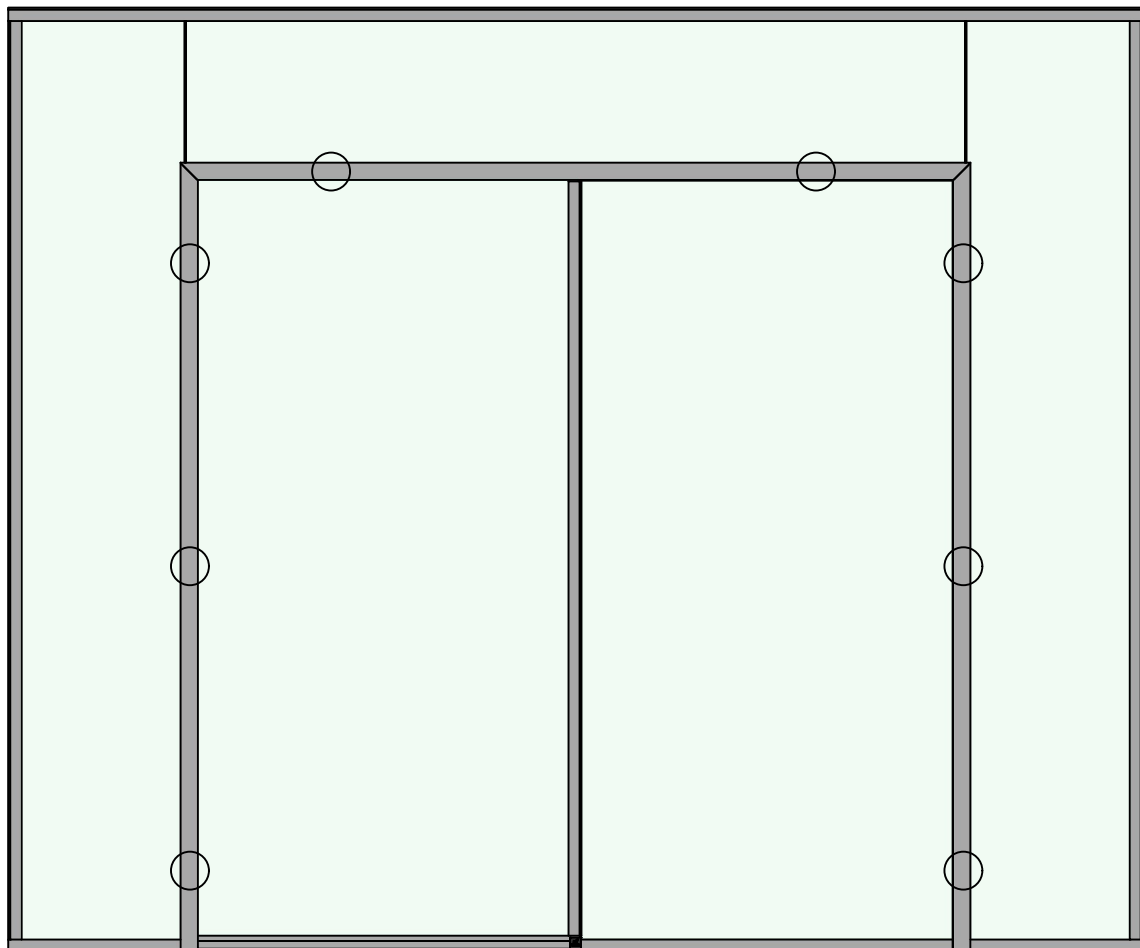
Attach vertical rubber sealing on closing side
and place both soft pads in the corners.



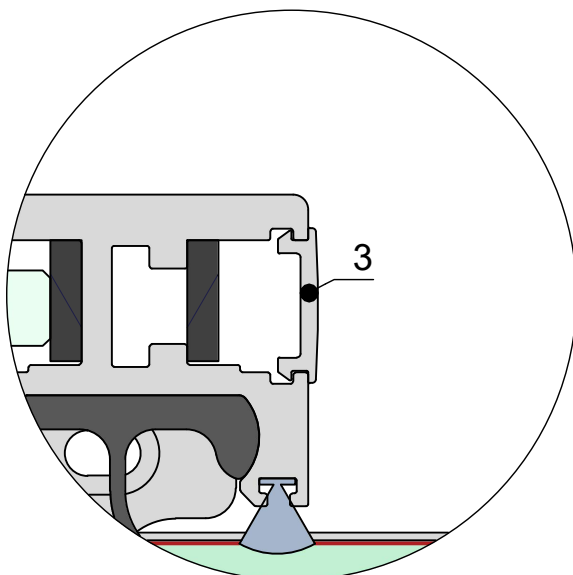
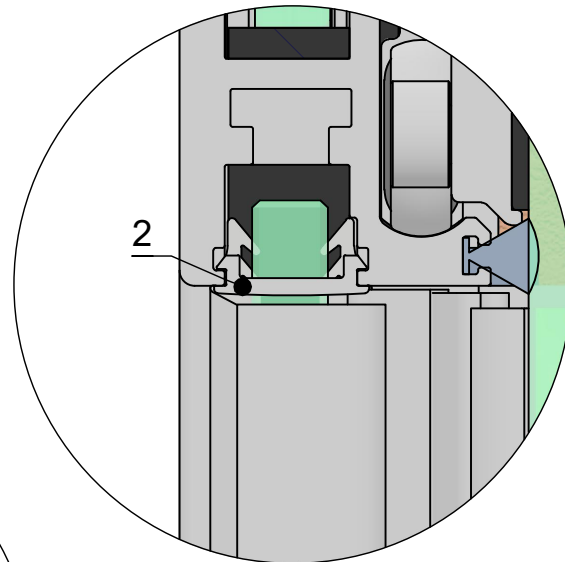
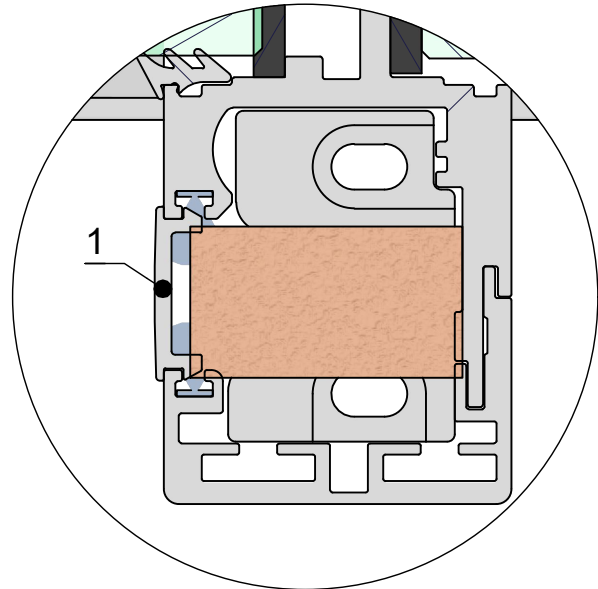
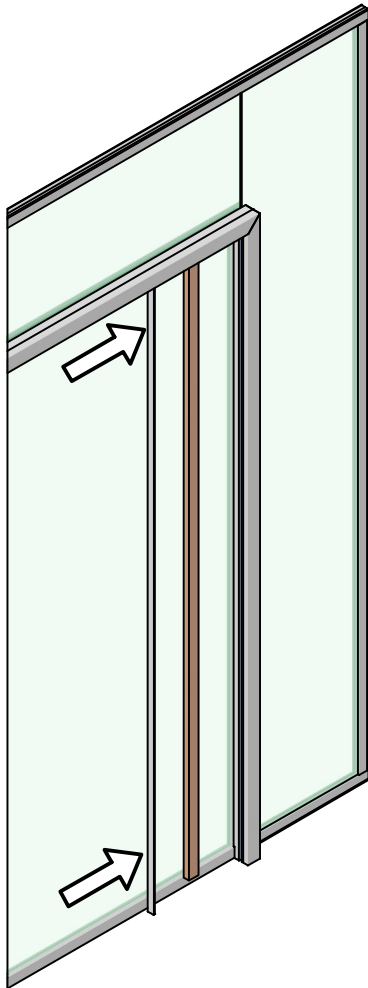
Assemble outside cover profile with corner fittings,
using **max** torque 2 Nm....



and attach it to main frame. Tight the 8 x M5 screws using
max torque 2 Nm.



Place foam strip on the opposite of closing side.
Attach all 3 x plastic profile covers.



Finally, mount the pull handles and any other fittings.

