

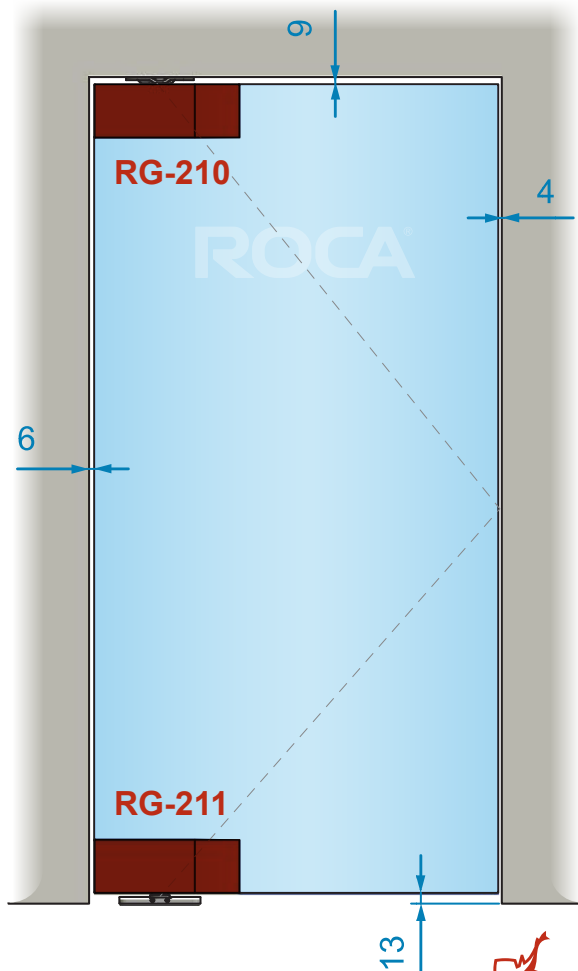
# Door closer patch | PIVOT



**RG-210**  
page 3



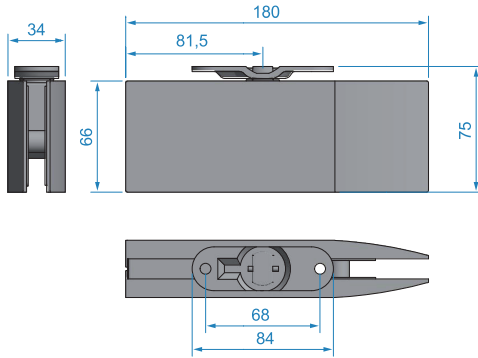
**RG-211**  
page 4



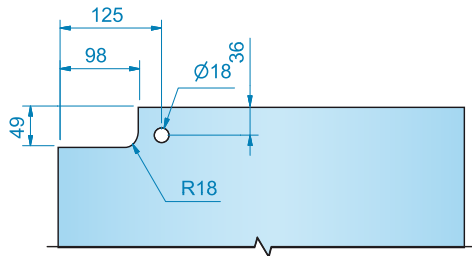
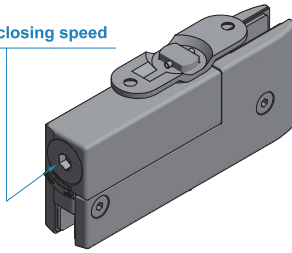
## Hydraulic door closer patches

- For single or double action swing door with 90° hold open.
- Glass thickness 10-12.76mm.
- Max door weight 80kg
- Max door width 1000mm
- Adjustable closing speed and force.

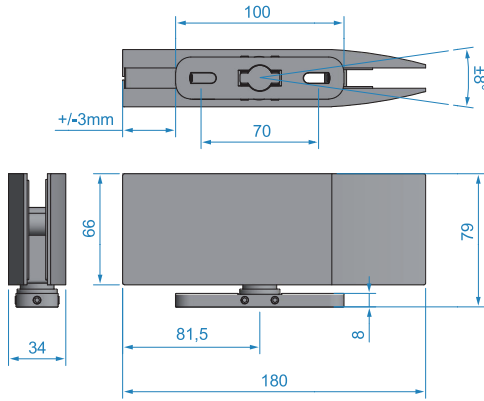
RG-210



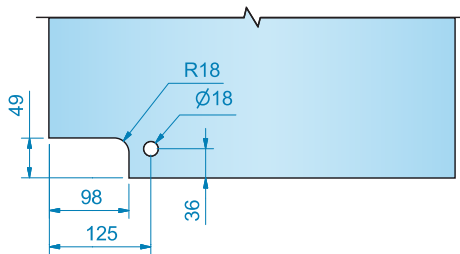
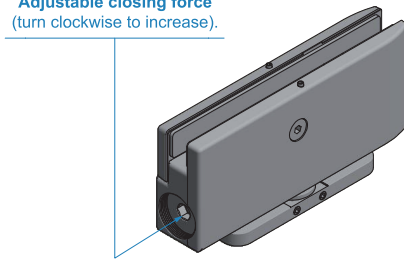
Adjustable closing speed



**RG-211**



**Adjustable closing force**  
(turn clockwise to increase).





---

[rocaindustry.com](http://rocaindustry.com) | [info@rocaindustry.com](mailto:info@rocaindustry.com)