

For overlap sweeps

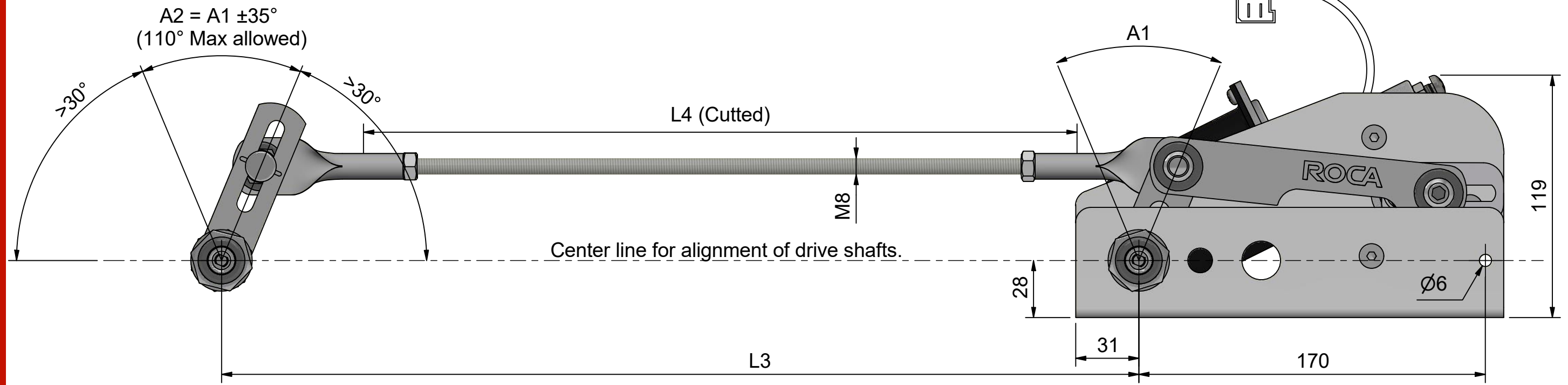
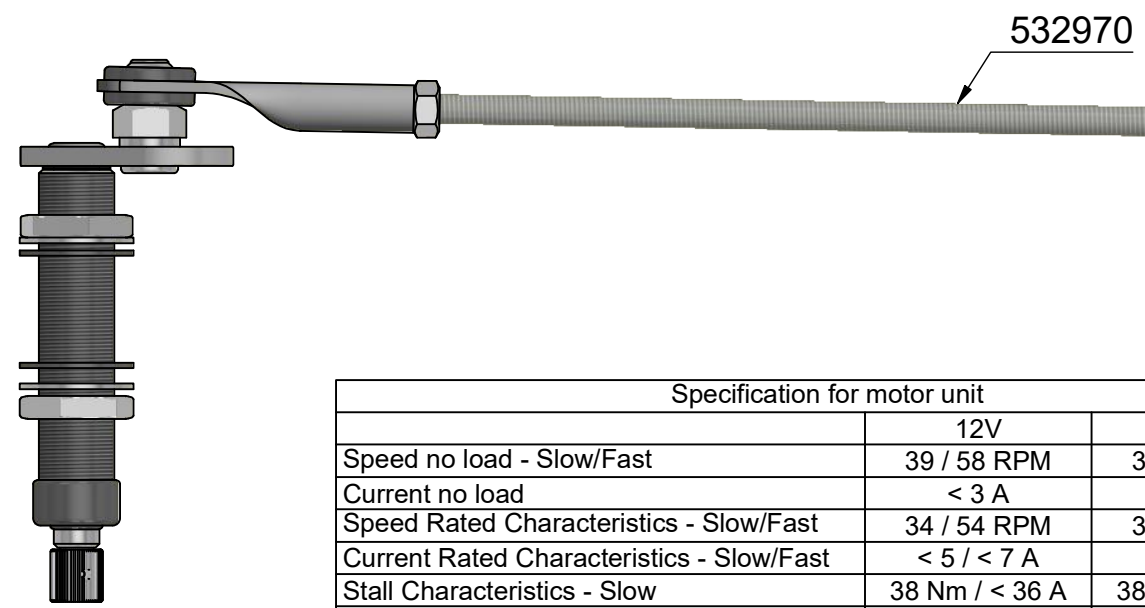
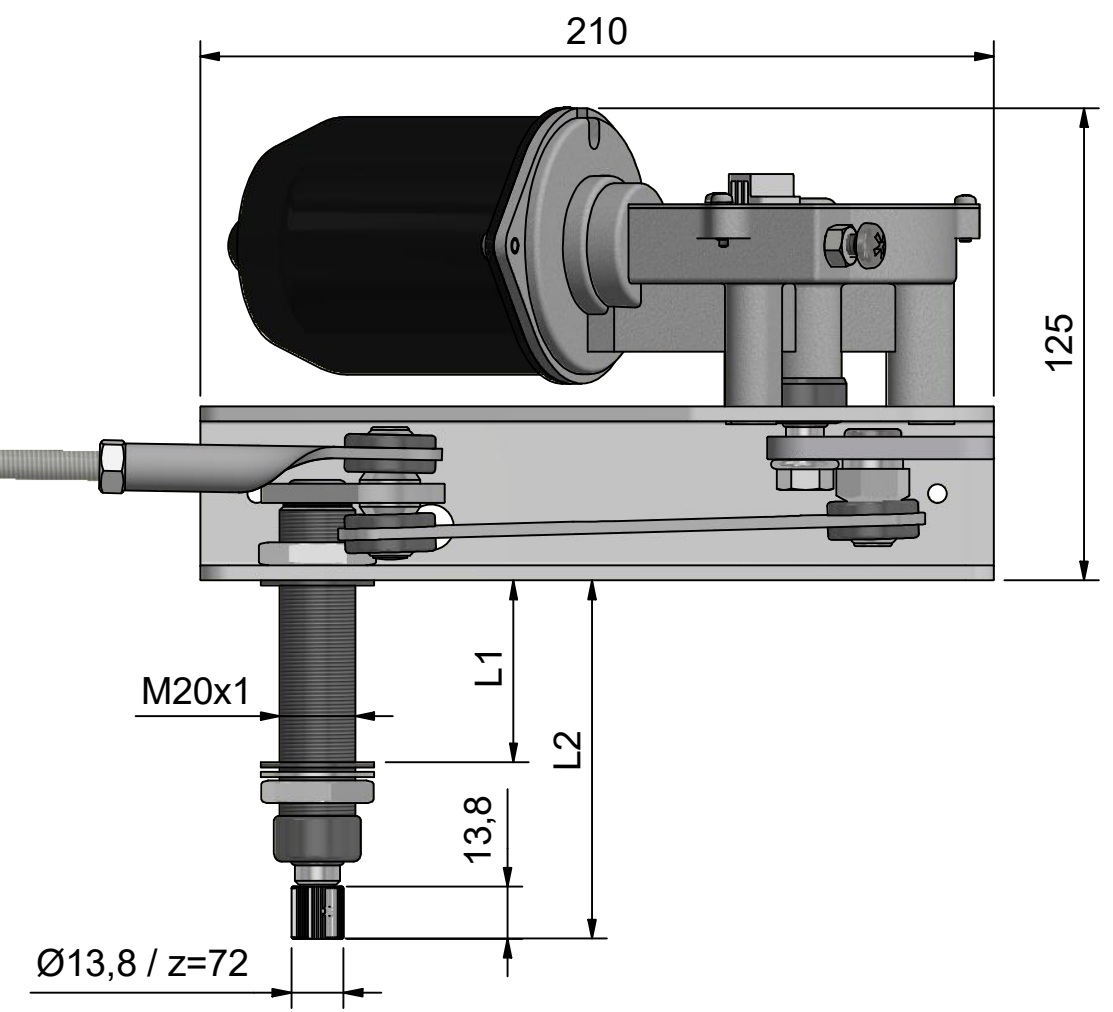


Table							
Item no.	Volt	L1	L2	L3	L4	A1	A2
532911	12	28	70	160 - 450 (750)*	L3 - 100	45 - 110°	10 - 110°
532912	24	28	70	160 - 450 (750)*	L3 - 100	45 - 110°	10 - 110°
532921	12	53	95	160 - 450 (750)*	L3 - 100	45 - 110°	10 - 110°
532922	24	53	95	160 - 450 (750)*	L3 - 100	45 - 110°	10 - 110°

Note: 532970 Threaded shaft sold separate.
*) With extension part 532975



Specification for motor unit		
	12V	24V
Speed no load - Slow/Fast	39 / 58 RPM	39 / 58 RPM
Current no load	< 3 A	< 2 A
Speed Rated Characteristics - Slow/Fast	34 / 54 RPM	34 / 54 RPM
Current Rated Characteristics - Slow/Fast	< 5 / < 7 A	< 3 / < 4 A
Stall Characteristics - Slow	38 Nm / < 36 A	38 Nm / < 18 A
Dynamic park circuit	Yes	Yes
Insulated ground	Yes	Yes
CISPER 25 class 1	Yes	Yes

