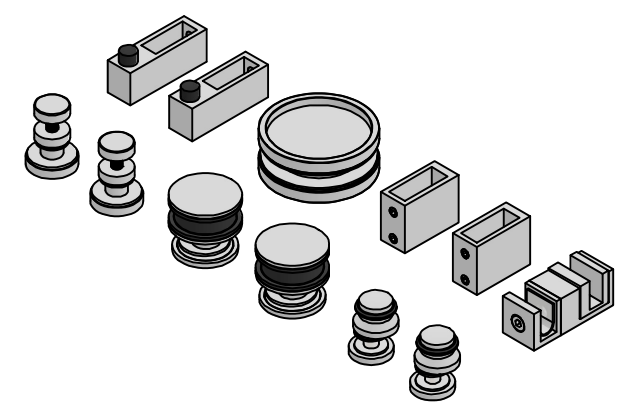


| Item no | Surface treatment |
|---------|-------------------|
| 883001 | Chrome plated |
| 883002 | Dull black |
| 883003 | Gold plated |

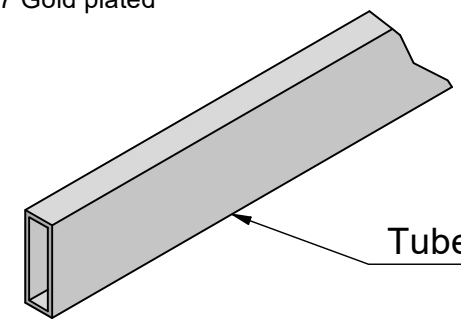
Inline shower single sliding door



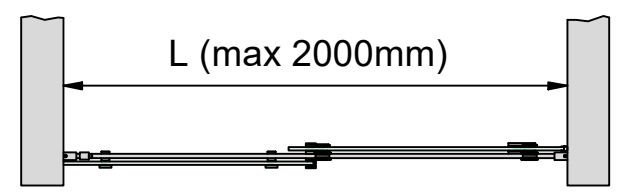
RG-9390 Shower sliding door kit
 883001 Chrome plated
 883002 Dull black
 883003 Gold plated



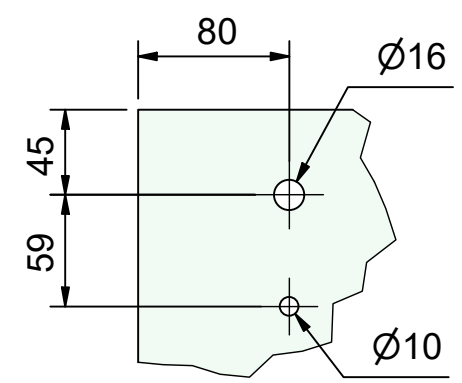
RG-9385 Tube
 883005 Chrome plated
 883006 Dull black
 883007 Gold plated



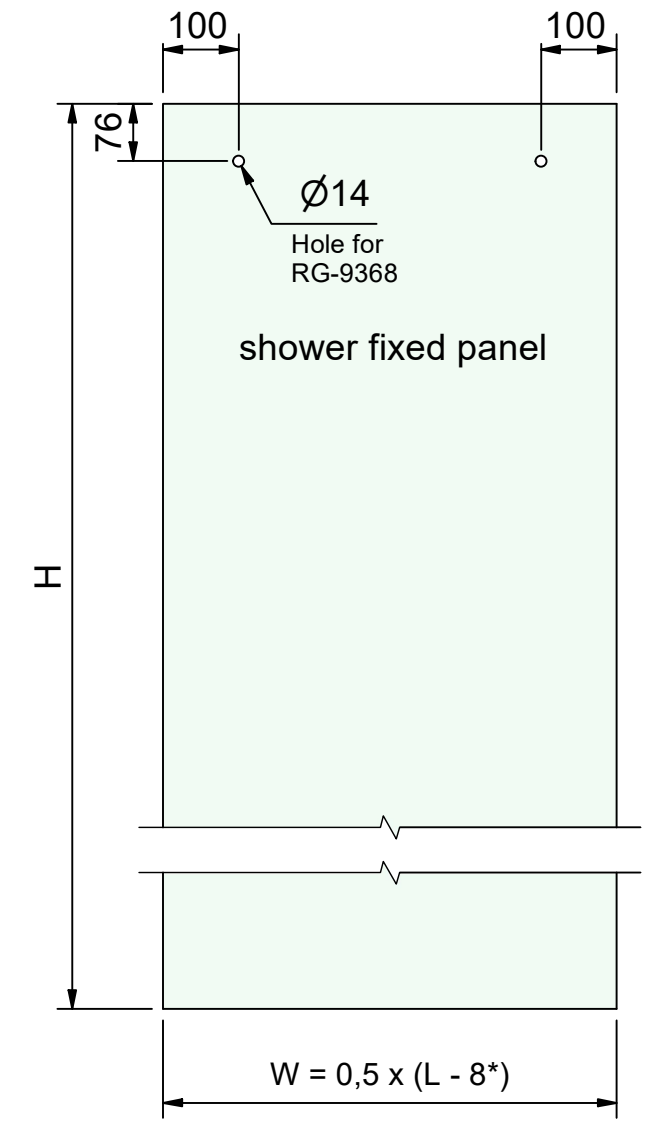
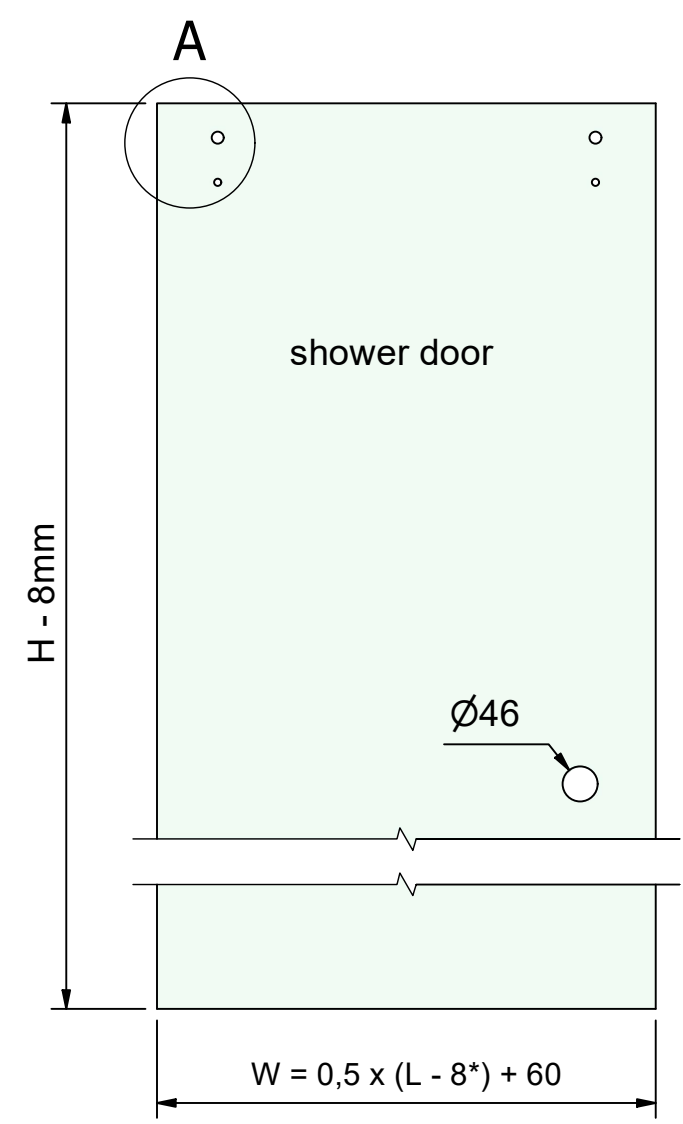
Tube length = L - 20



Max door weight 65 kg



A (1 : 4)



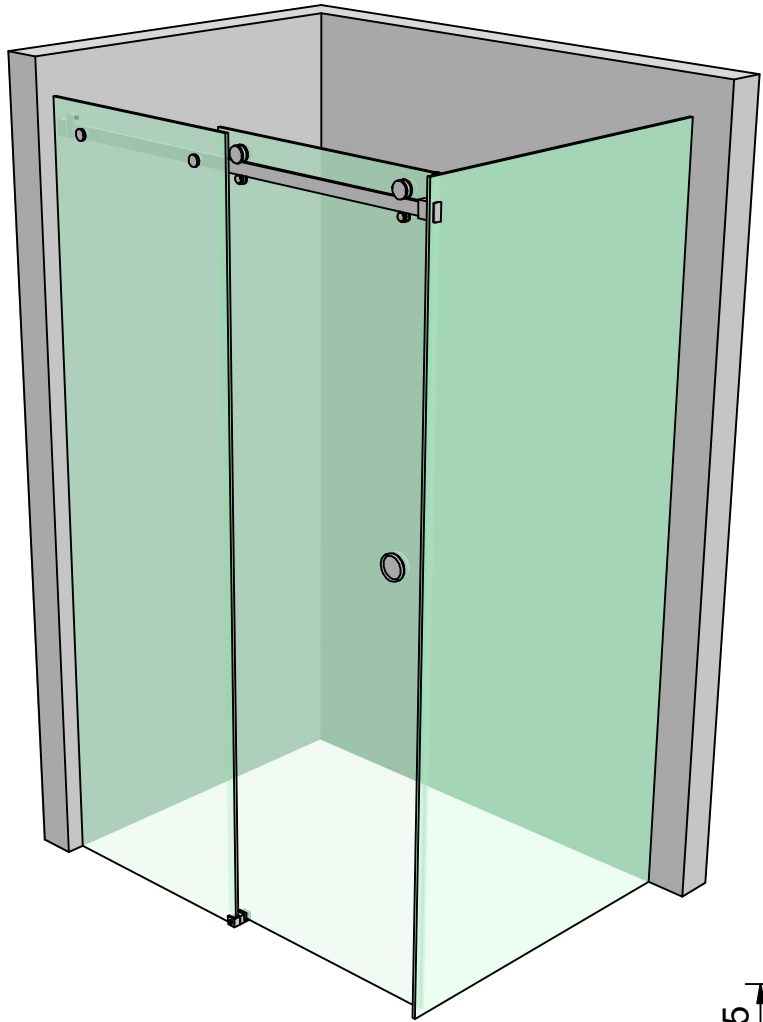
L = total length of shower cabin
 * if using sealing RG-950 862172

Additional cutouts or measurement deduction required depending on wall attachment type (U-profile or clamps)

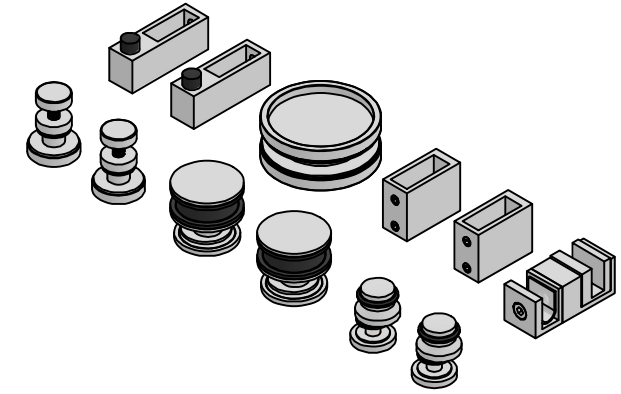


| | | | |
|-------------|-------------------------|------|--------------|
| Description | Shower sliding door kit | Date | V4 240611/AC |
| Item no. | RG-9390 | | |

Corner shower single sliding door

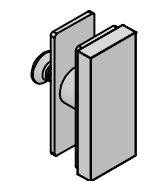


RG-9390 Shower sliding door kit
 883001 Chrome plated
 883002 Dull black
 883003 Gold plated

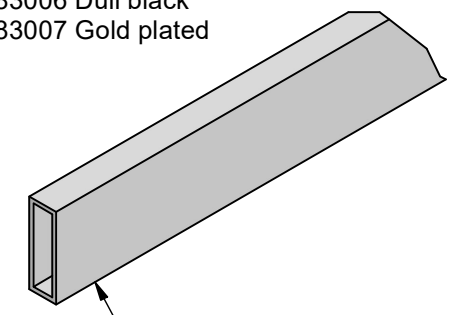


+

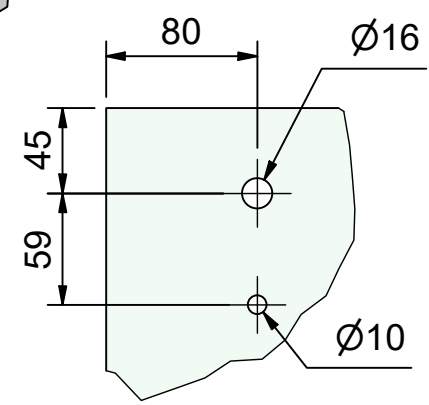
RG-9388 Point holder
 883013 Chrome plated
 883014 Dull black
 883015 Gold plated



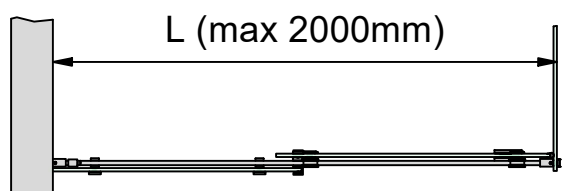
RG-9385 Tube
 883005 Chrome plated
 883006 Dull black
 883007 Gold plated



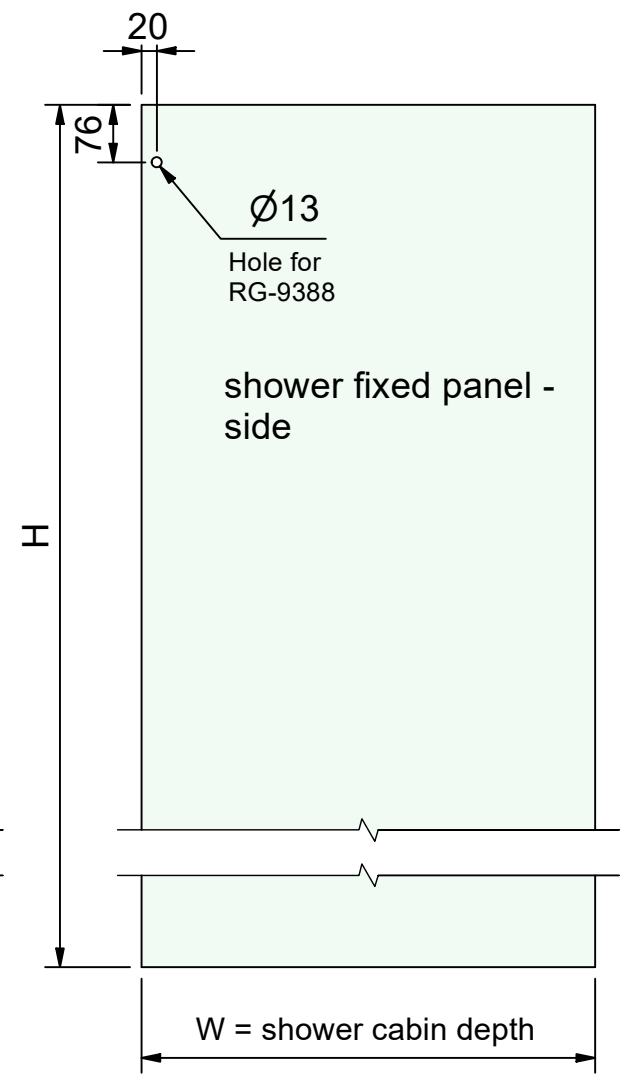
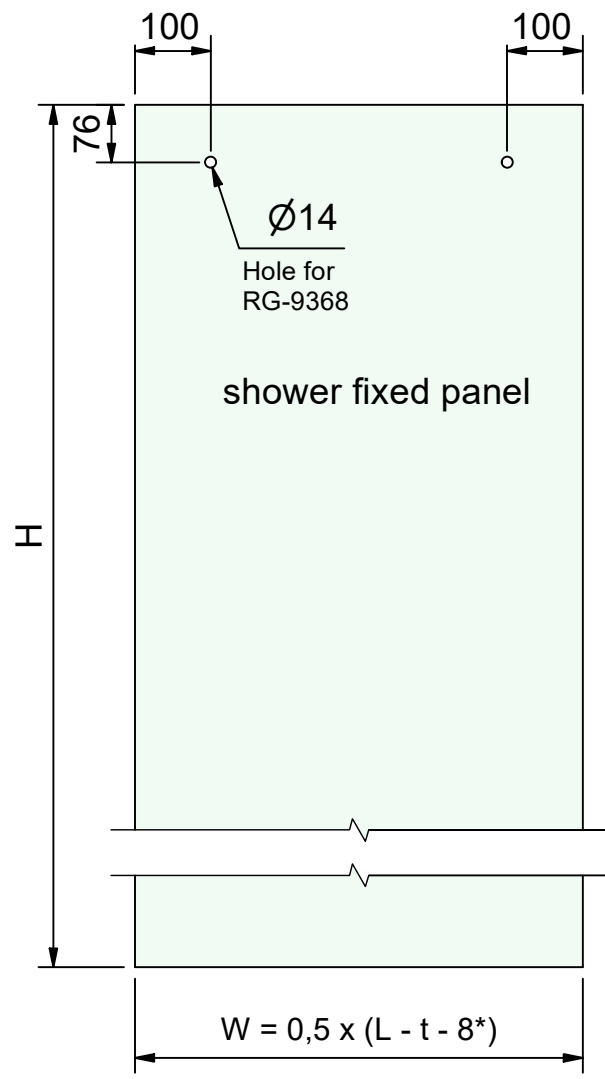
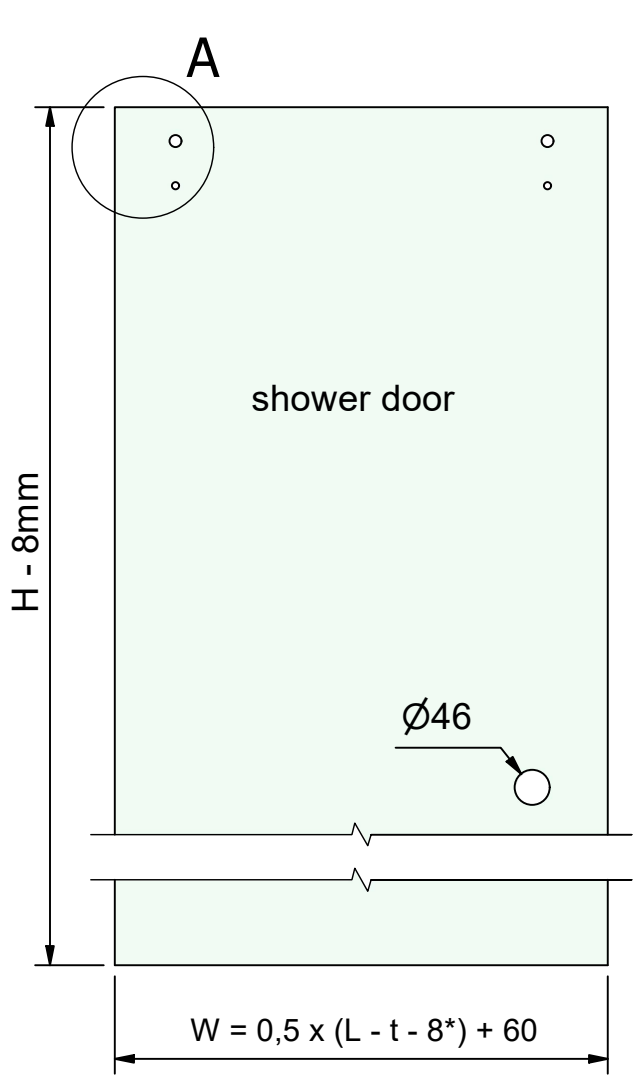
Tube length = $L - 22 - t^*$
 *t = glass thickness



A (1 : 4)



Max door weight 65 kg



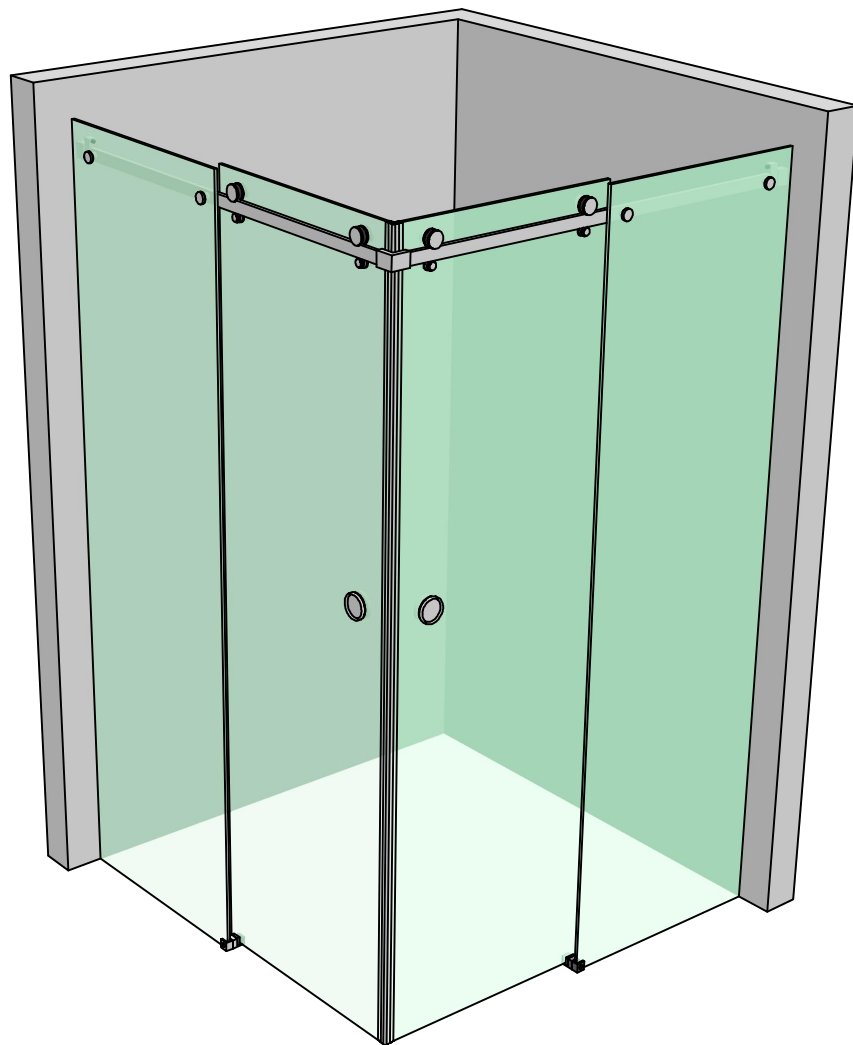
L = total exterior length of shower cabin
 t = glass thickness
 * if using sealing RG-950 862172

Additional cutouts or measurement deduction required depending on wall attachment type (U-profile or clamps)



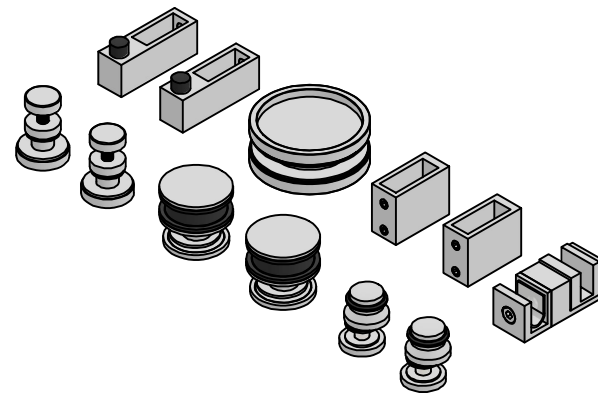
| | | |
|--------------------------------|--|--------------|
| Description | | Date |
| Shower sliding door kit | | V4 240611/AC |
| Item no. | | |
| RG-9390 | | |

Corner shower double sliding door



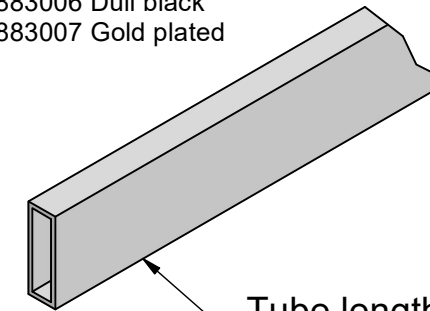
RG-9390 Shower sliding door kit x 2

- 883001 Chrome plated
- 883002 Dull black
- 883003 Gold plated



RG-9385 Tube x 2

- 883005 Chrome plated
- 883006 Dull black
- 883007 Gold plated

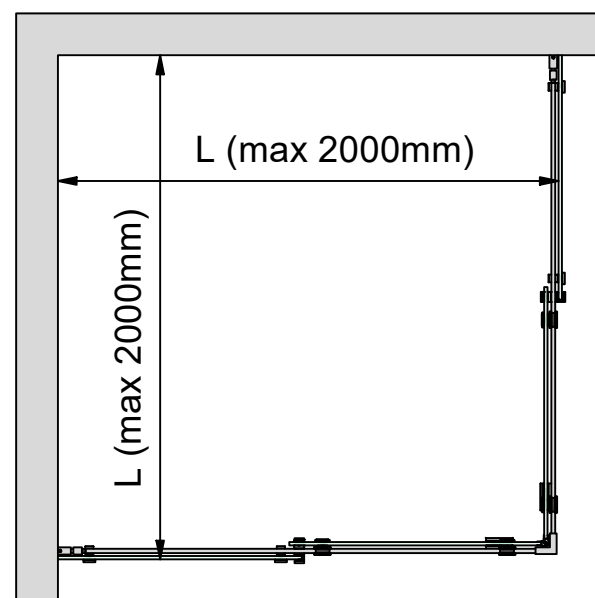
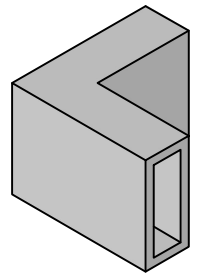


Tube length = $L - 32 - t^*$

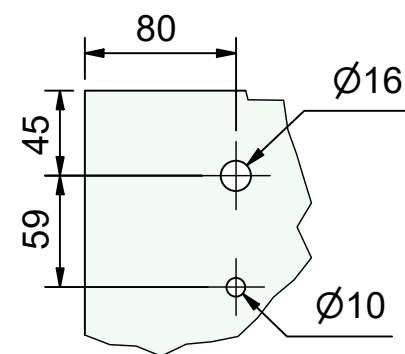
*t = glass thickness

RG-9387 Angle connector

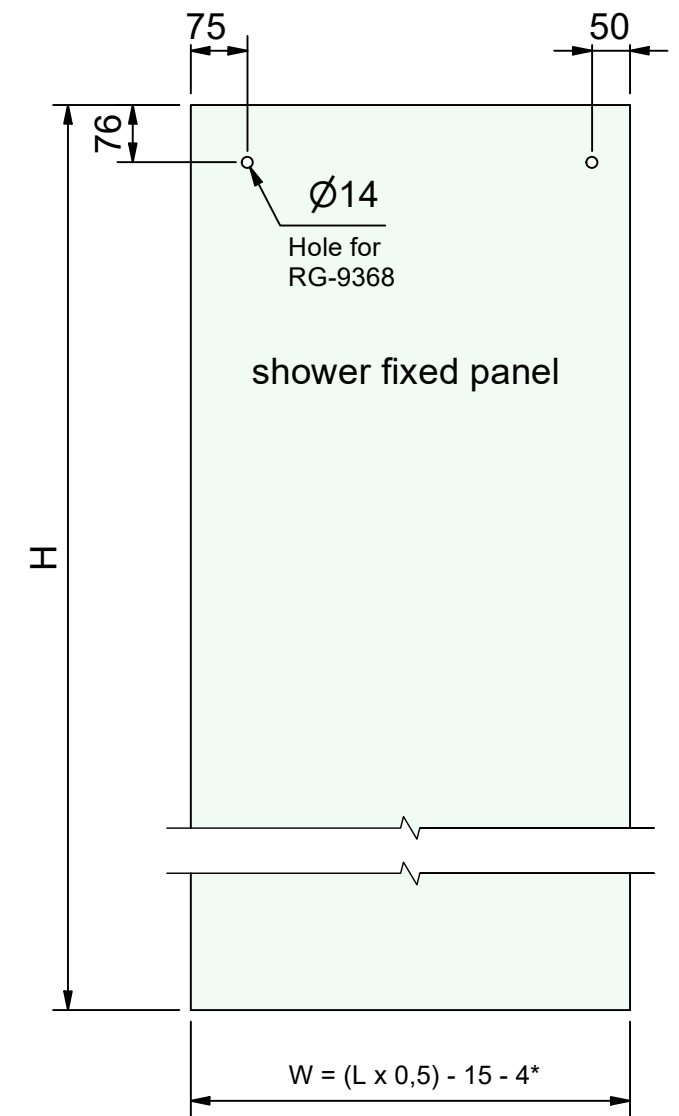
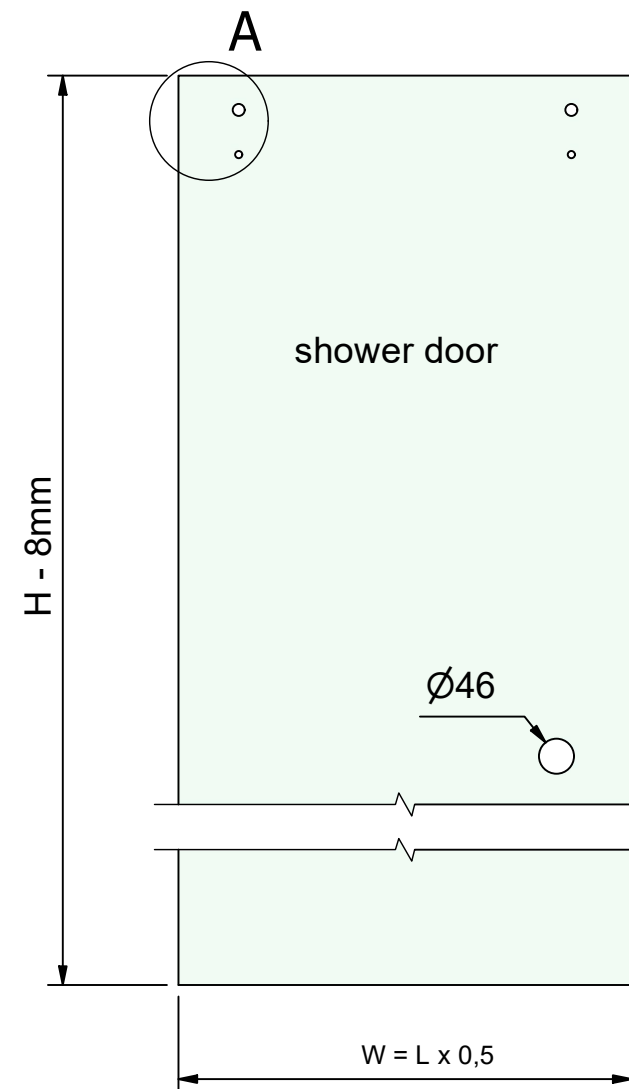
- 883009 Chrome plated
- 883010 Dull black
- 883011 Gold plated



Max door weight 35 kg



A (1 : 4)



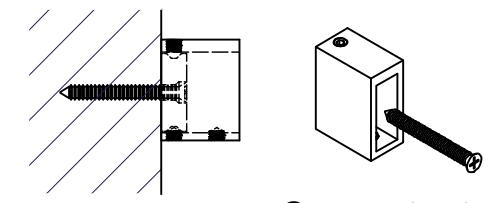
Additional cutouts or measurement deduction required depending on wall attachment type (U-profile or clamps)

L = total exterior length of shower cabin

* if using sealing RG-950 862171



| | | | |
|-------------|-------------------------|----------|---------|
| Description | Shower sliding door kit | Item no. | RG-9390 |
| Date | V4 240611/AC | | |

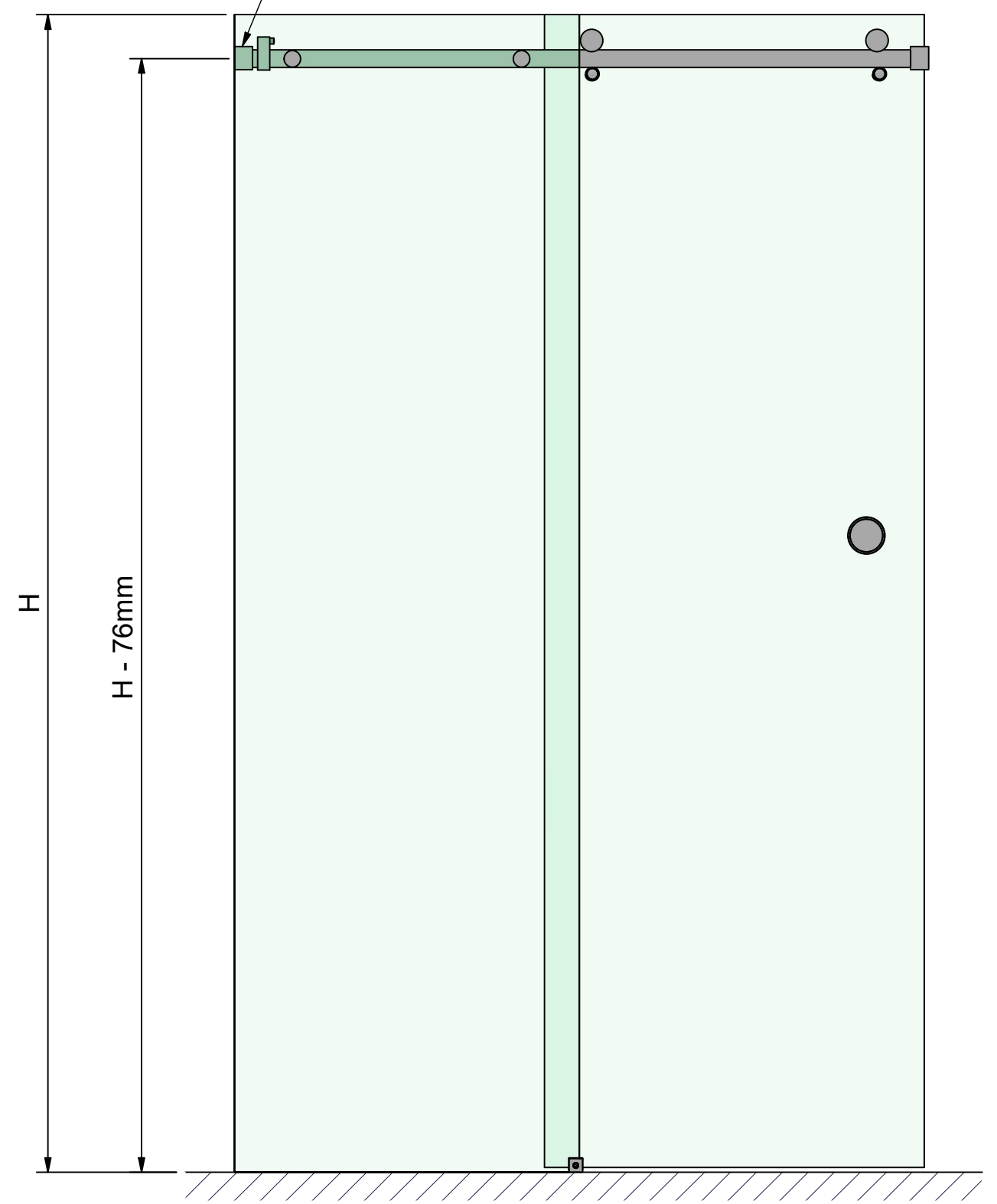
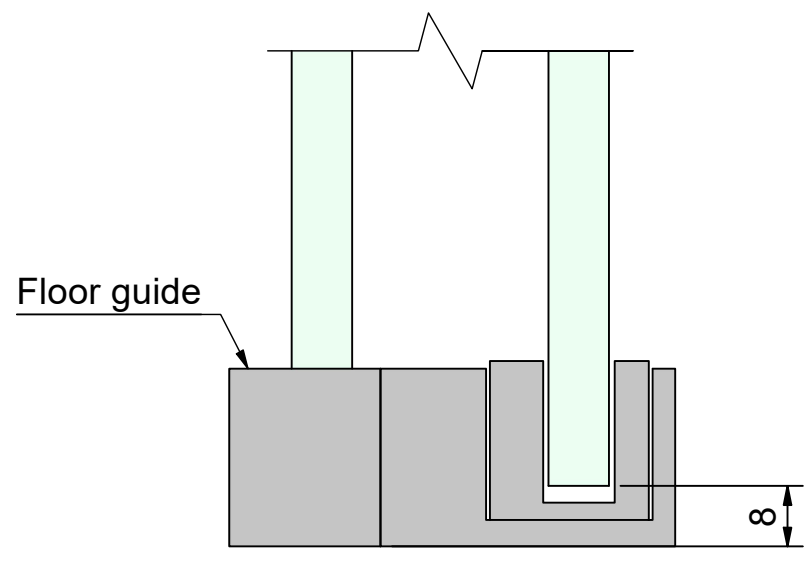
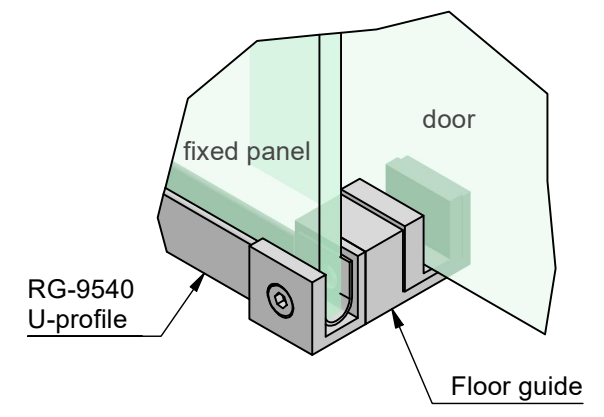
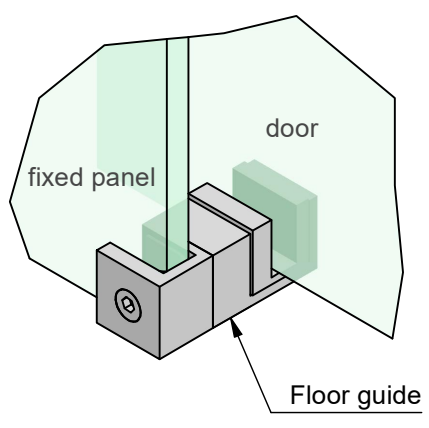
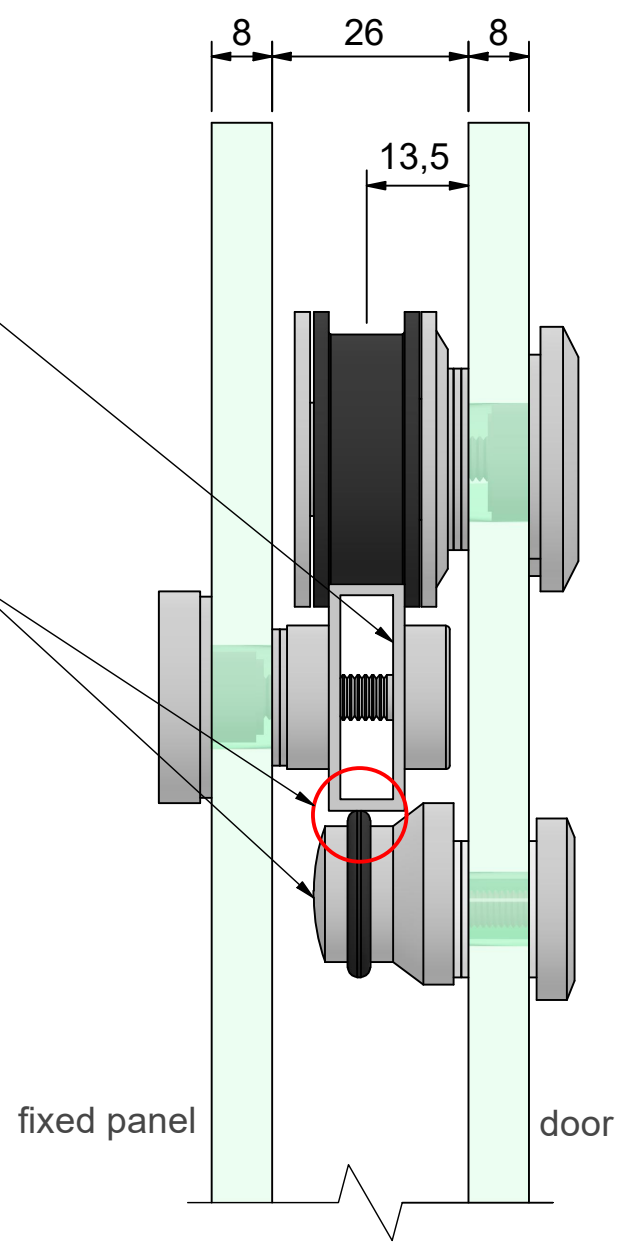


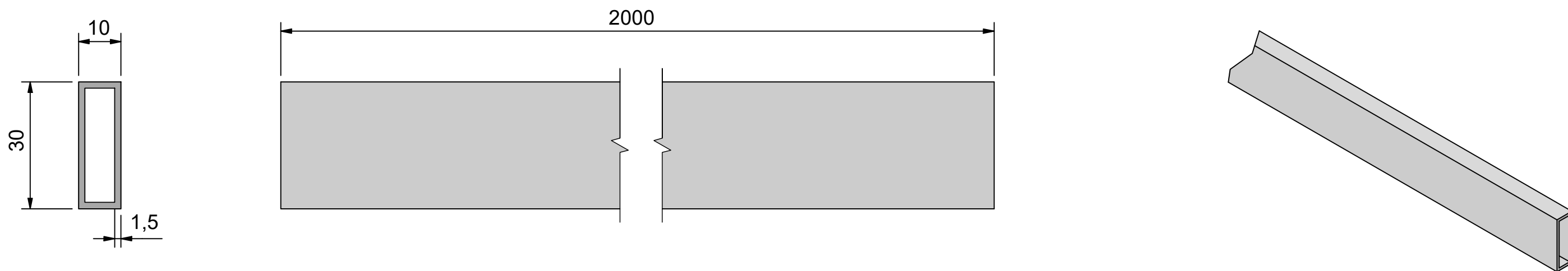
Connector tube - wall

RG-9385 Tube

Door stopper bottom

Rotate to a position where the rubber ring has contact with RG-9385 tube (rail).

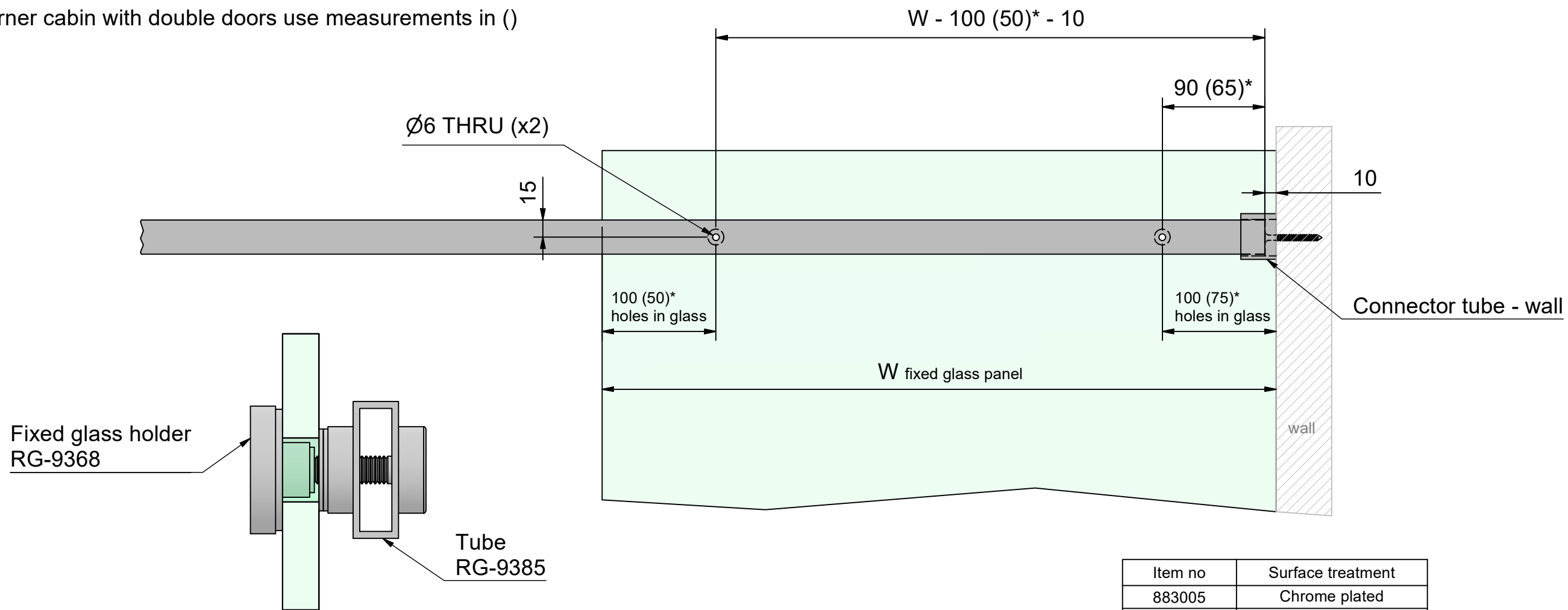




Position of holes for RG-9368 Fixed glass holder

For inline cabin and corner cabin with single doors

* For corner cabin with double doors use measurements in ()



| Item no | Surface treatment |
|---------|-------------------|
| 883005 | Chrome plated |
| 883006 | Dull black |
| 883007 | Gold plated |

