

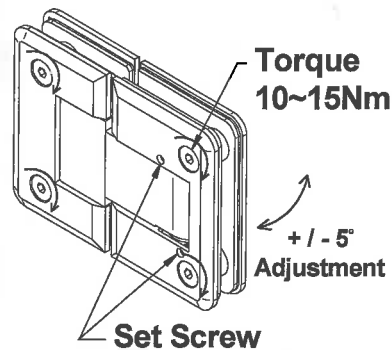
Heavy Duty Pneumatic Adjustable Door Hinges

(180° Glass To Glass)

1. For double action door, 300,000 cycles tested.
2. Standard auto return on 70 degree (Hold open after 70°).
3. Glass thickness : 5/16" ~ 1/2" (8 ~ 12mm).

For indoor use	Max. door weight	Max. door width
Hinge x 2pcs	132Lbs(60Kgs)	36"(915mm)
Hinge x 3pcs	165Lbs(75Kgs)	40"(1000mm)

⚠ Only if the door can not close at 0° or line up with side panel, adjustment will be required. If the set screws is loose, it could caused thread damage or noise occurred when you close or open the glass door.



How to adjust :

1. Loosen 4pcs of set screws by turning counterclock wise half circle, position the glass door align to the frame, side panel or at your desired position.
2. Make sure another installer holds the glass door or to tape (fit) the glass door at desired position before tightening the set screws.
3. Tighten the set screws gently but do not over-tighten.
Note. If over-tighten the set screws, the glass door might move away from the desired position.
4. Make sure the glass door remains at your desired position and is align to the frame or side panel. Then tight set screws again and make sure all the set screws are fixed.

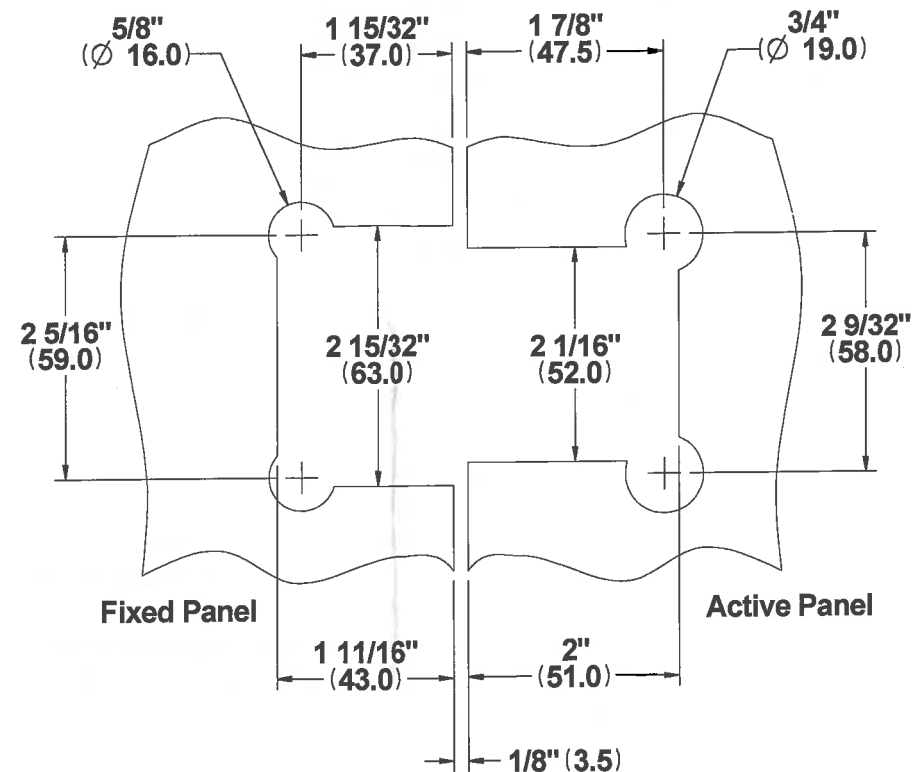
⚠ If need to install 3rd hinge for heavier door, the third hinge is not to be installed in the center of door, the correct position should be about 8" (=20cm) from the top hinge.

International Patented

20150820/V2.0

Glass Cut-Out

Glass To Glass 180°



20150820/V2.0