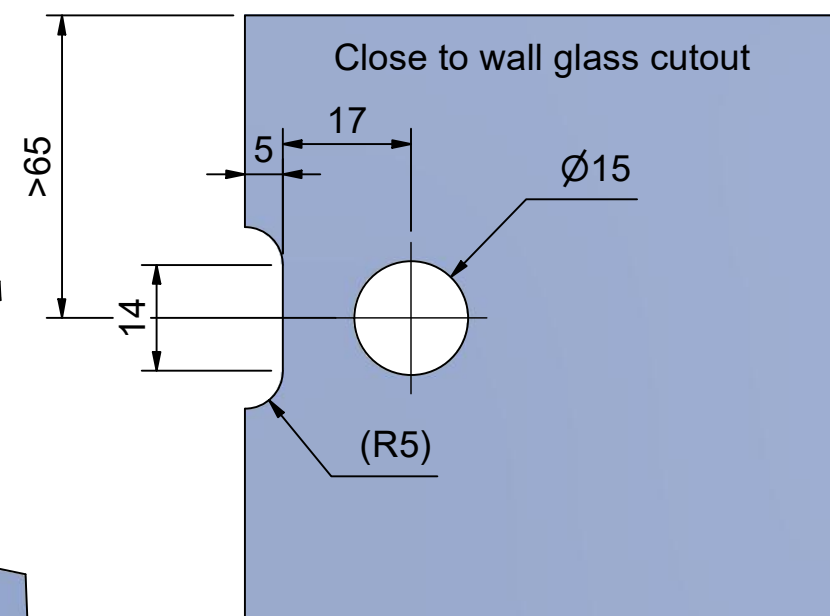
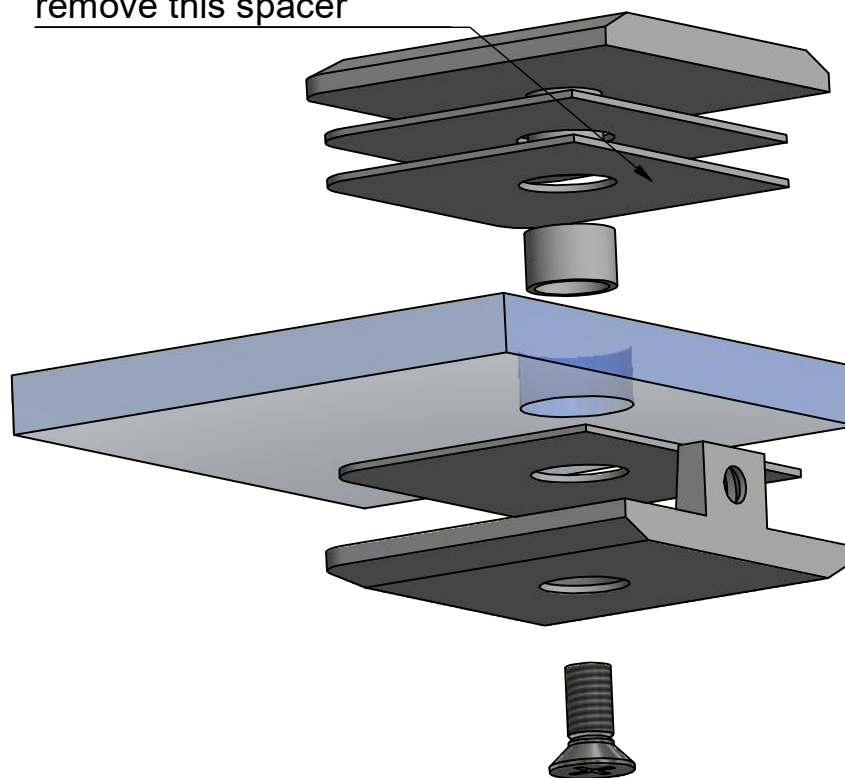


If glass thickness > 9 mm
remove this spacer



ROCA