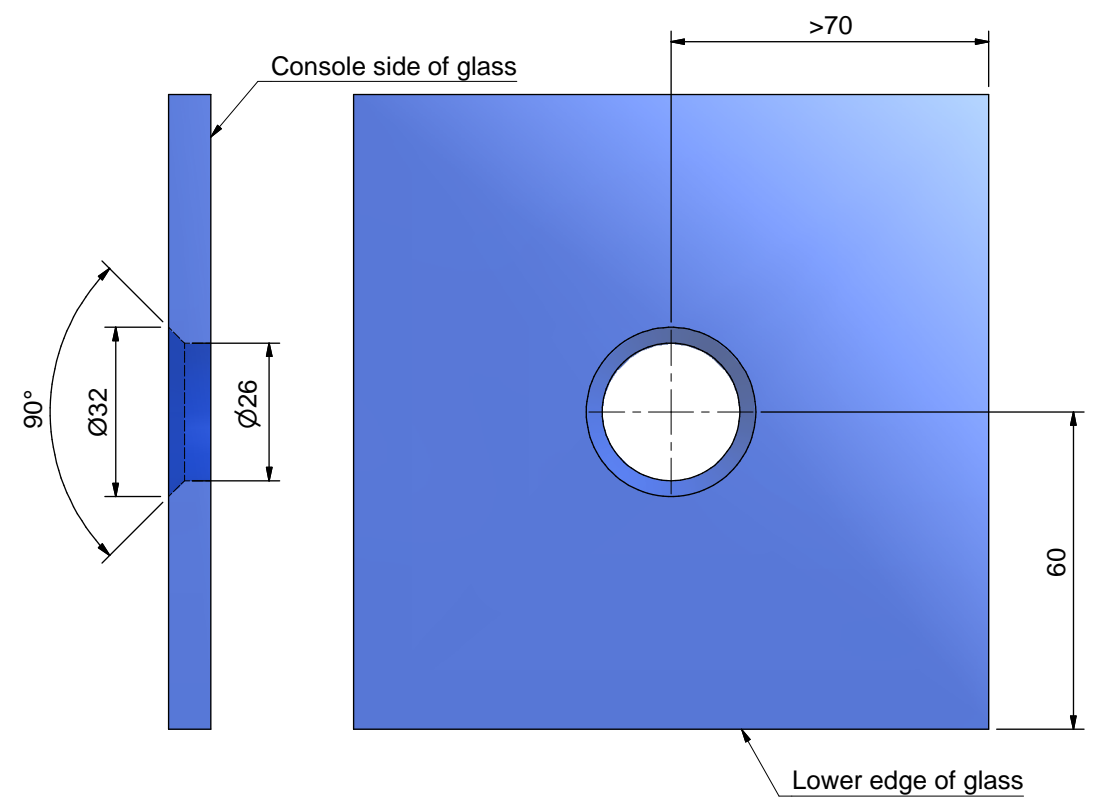
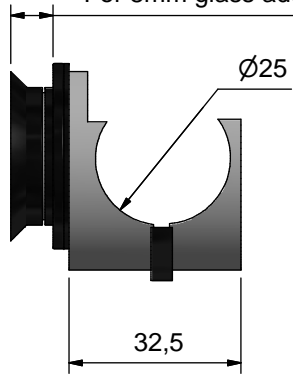


Accepted glass thickness 8-10mm
For 8mm glass add shim, item 860120.



The distance between
consoles should
not exceed 400mm