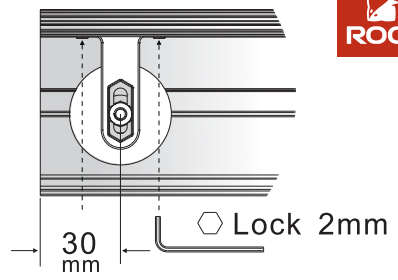
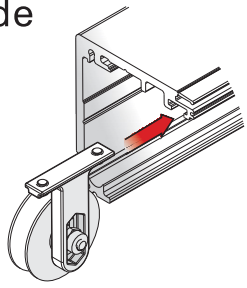


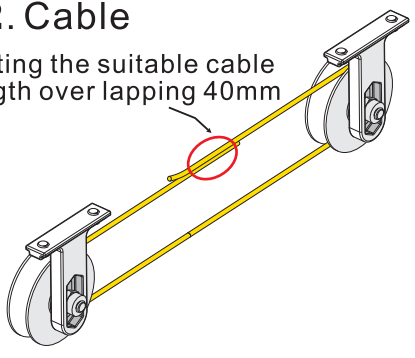


1. Fixing the roller for cable on both side

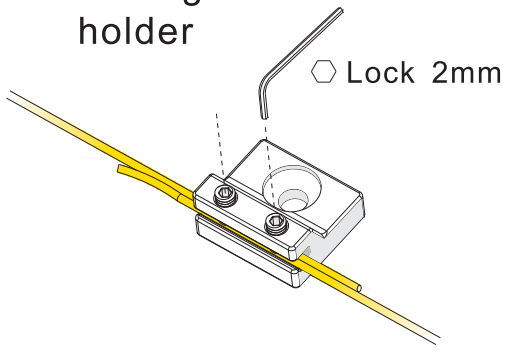


2. Cable

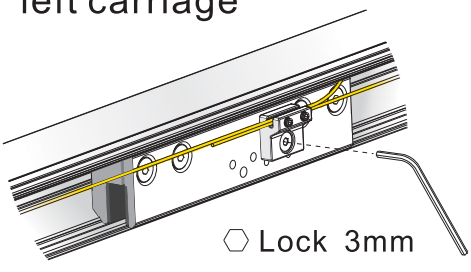
Cutting the suitable cable length over lapping 40mm



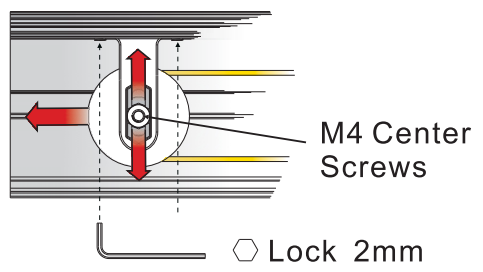
3. Joining with first cable holder



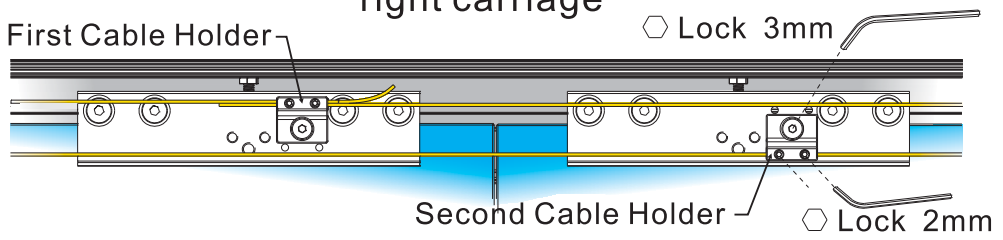
4. Fixing first cable holder to left carriage



5. Adjusting the roller position to tighten the cable



6. Joining the second cable holder to the cable and right carriage



PATENTED IN MANY COUNTRIES

2016.05.17 ver 2.0