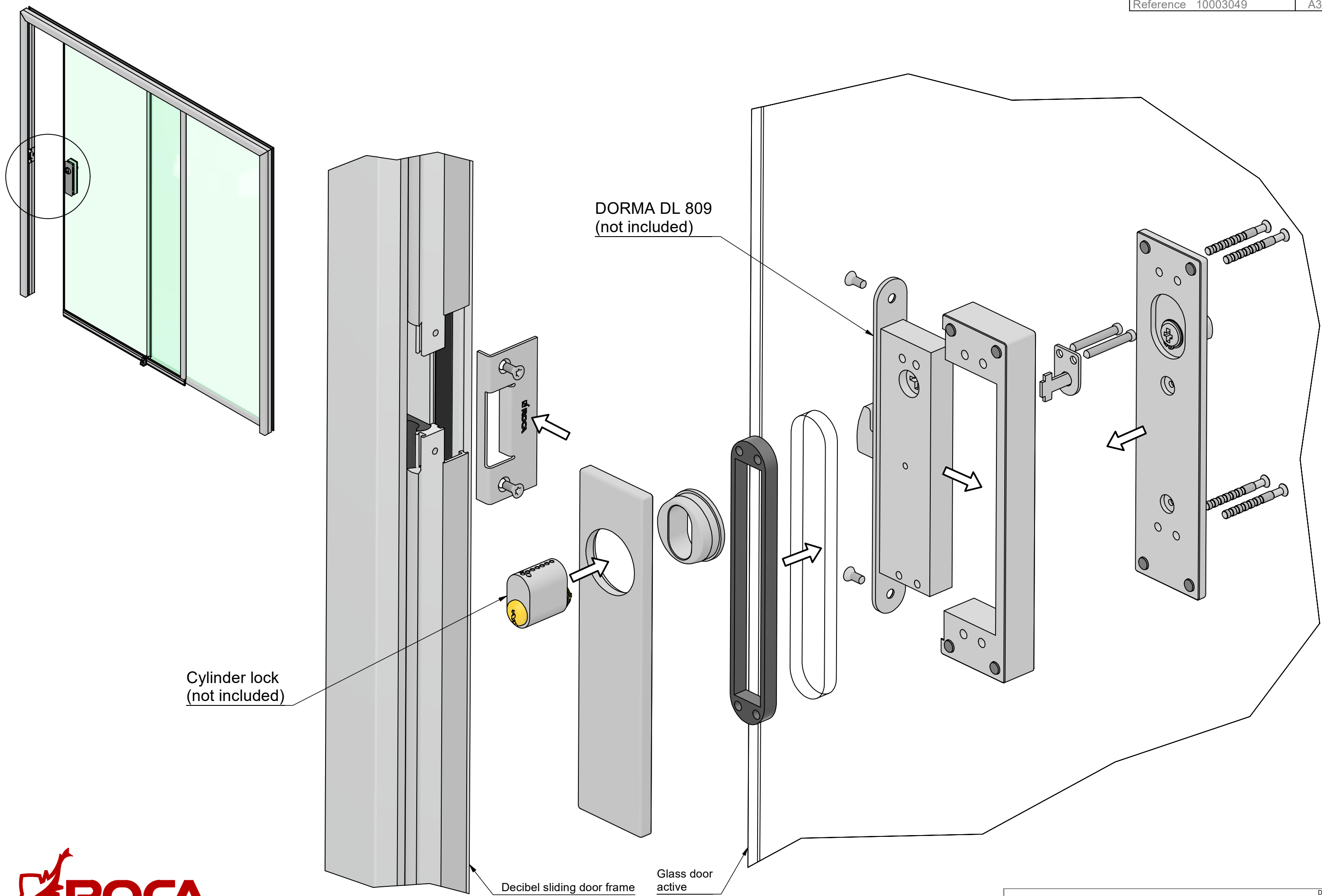


Item no.	Surface treatment
865464	Anodized natural
865465	Painted black

Date V3 250117/AC	
Description	Item no.
Lock fitting Decibel sliding door	RG-464



DORMA DL 809
(not included)

Cylinder lock
(not included)

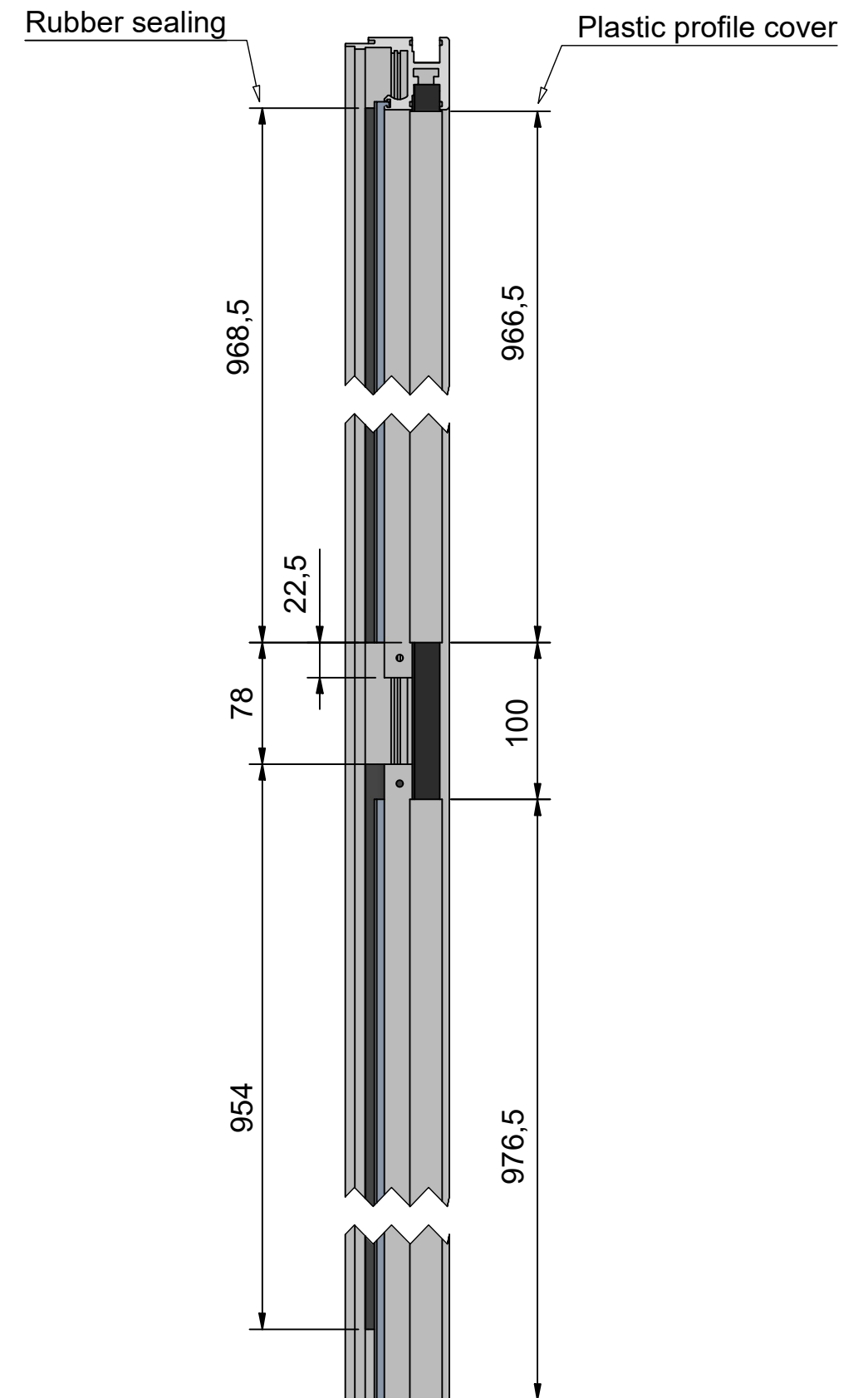
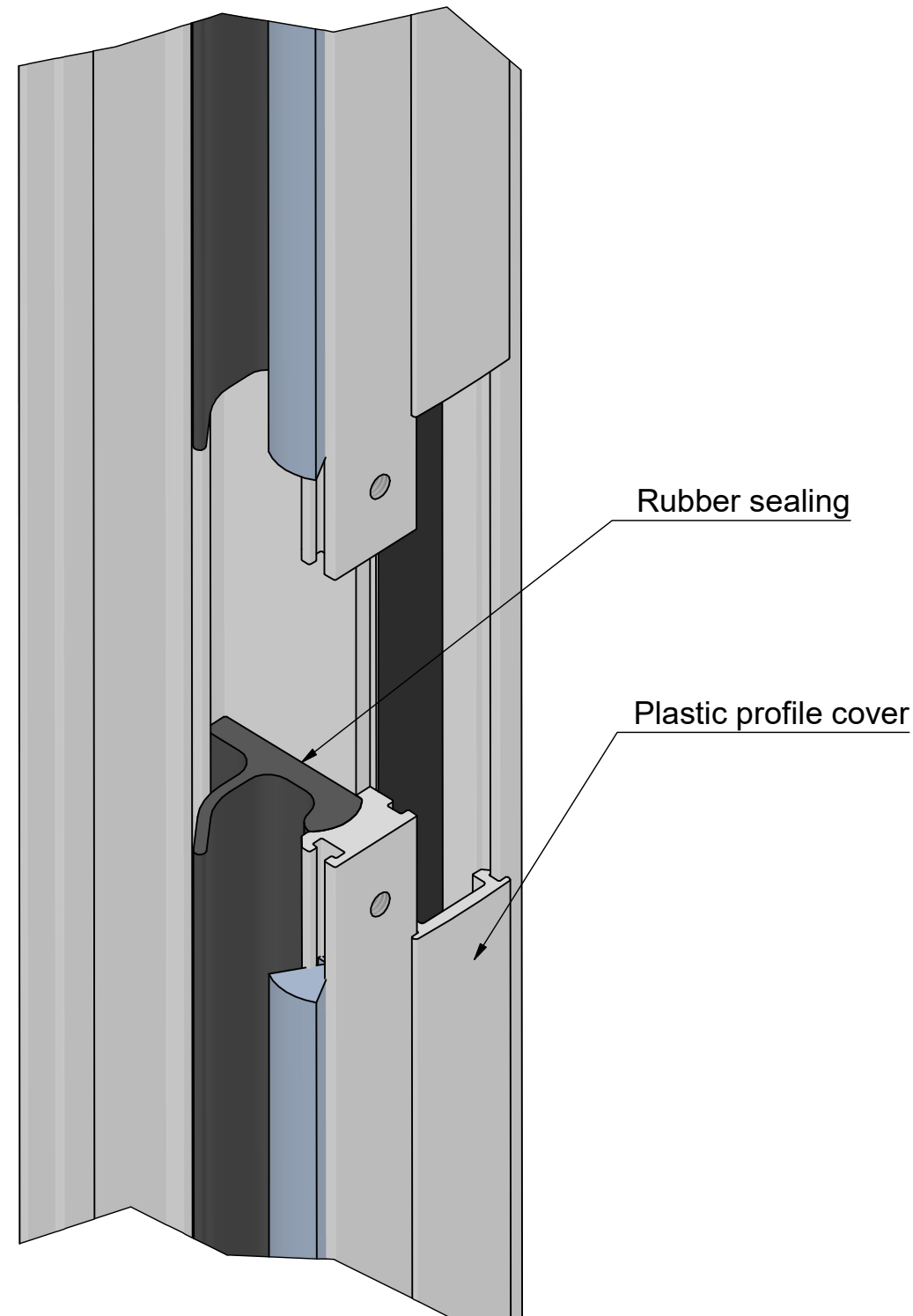
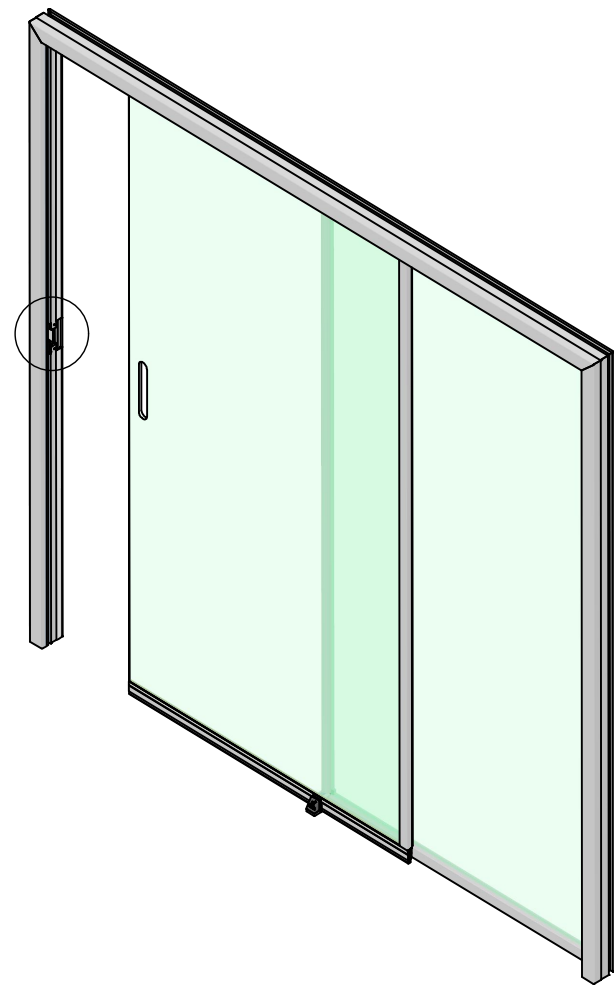
Decibel sliding door frame

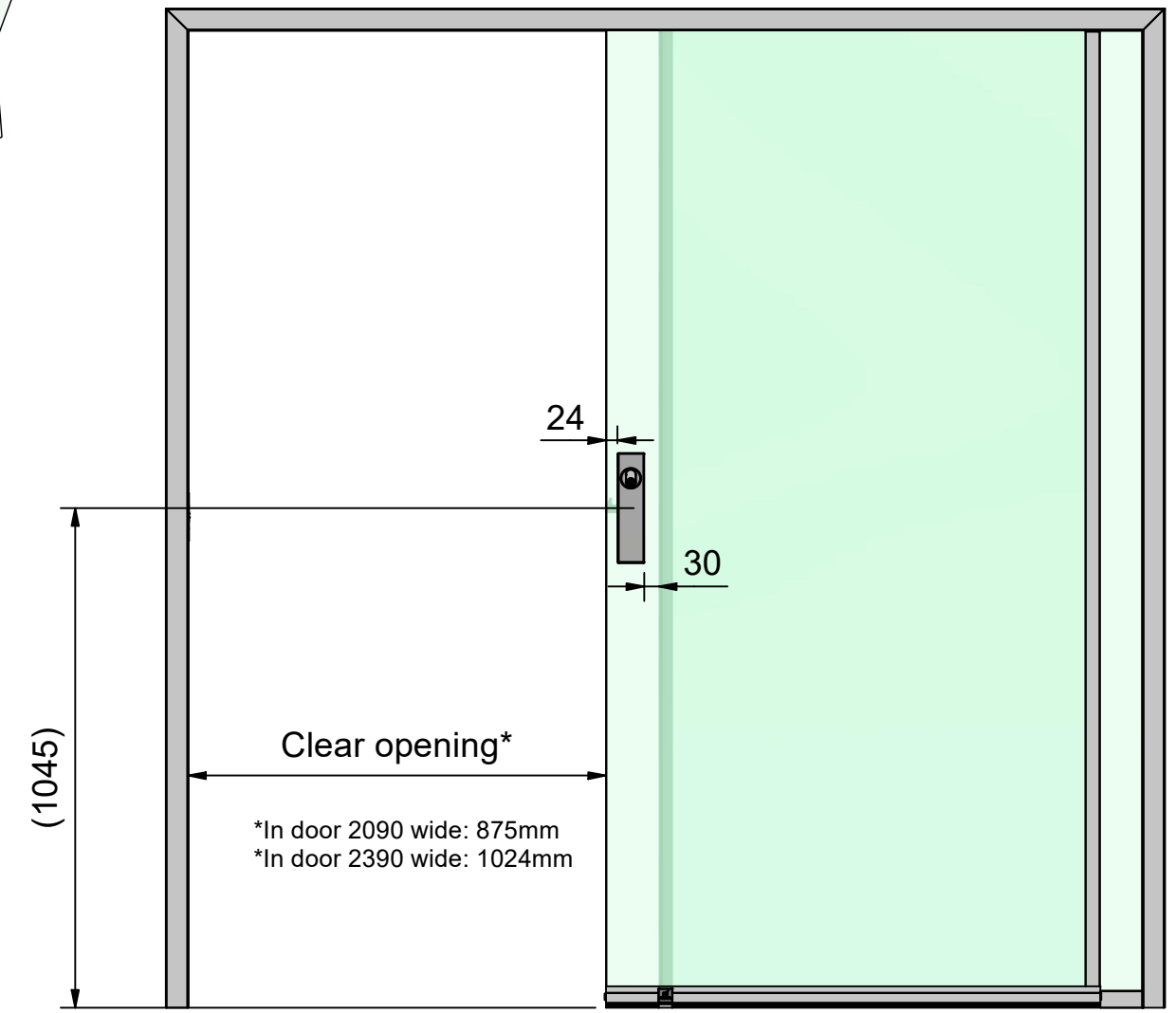
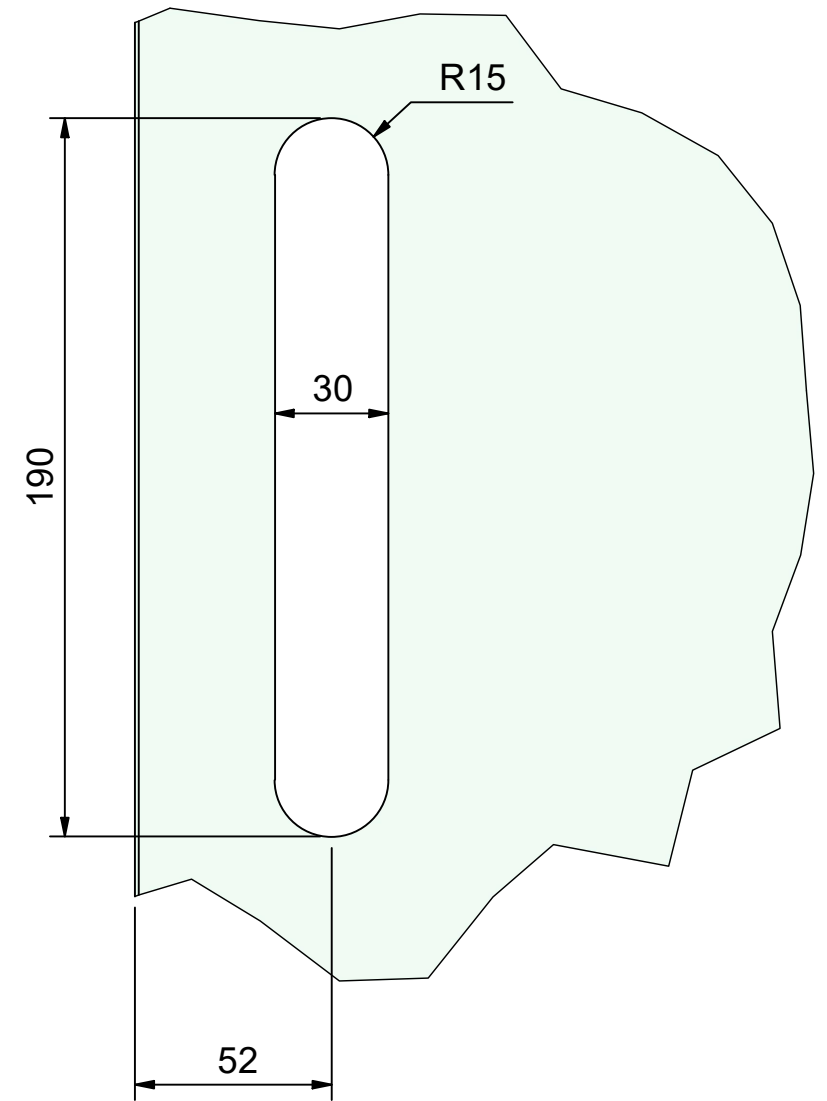
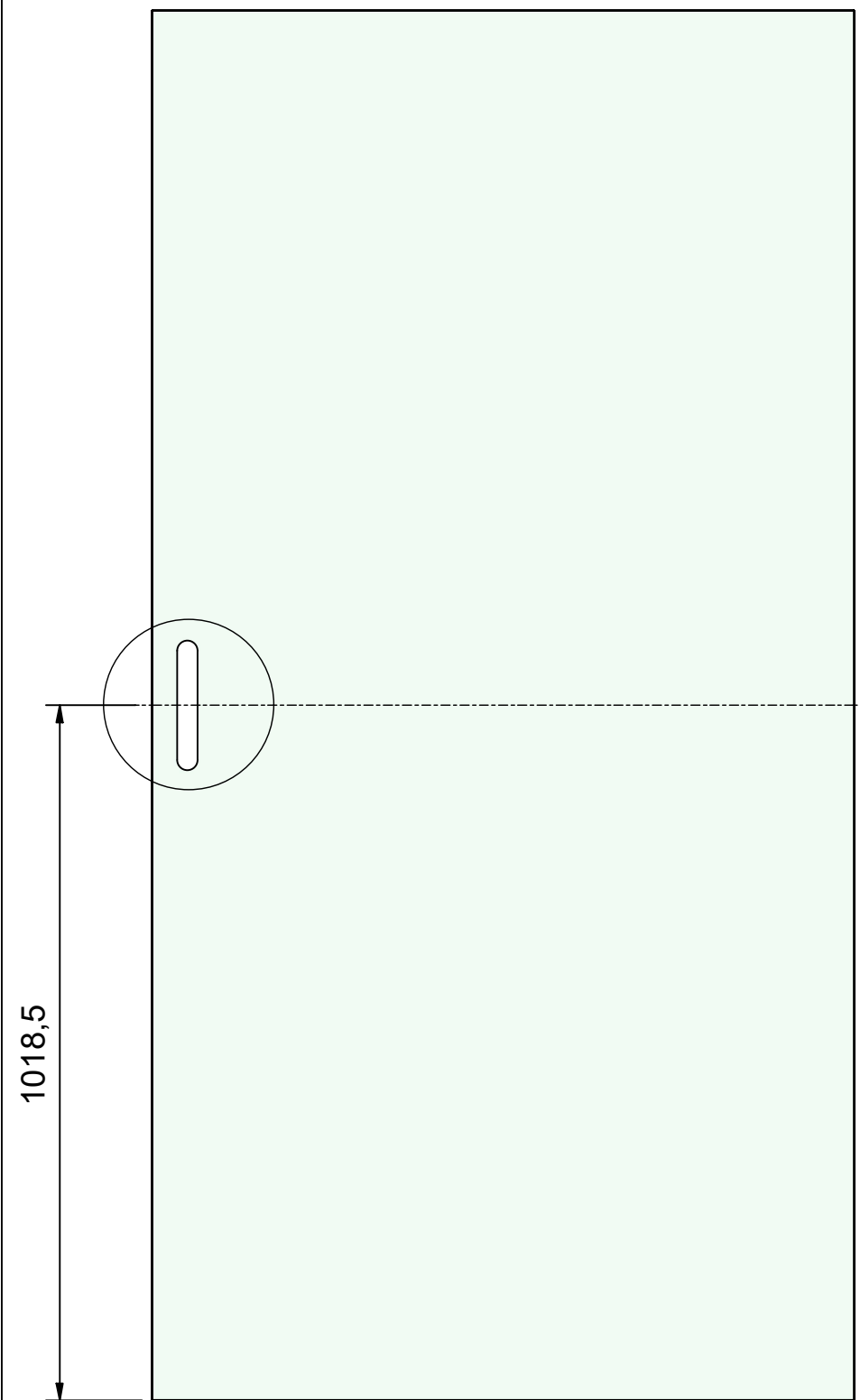
Glass door
active



Additional adjustments:

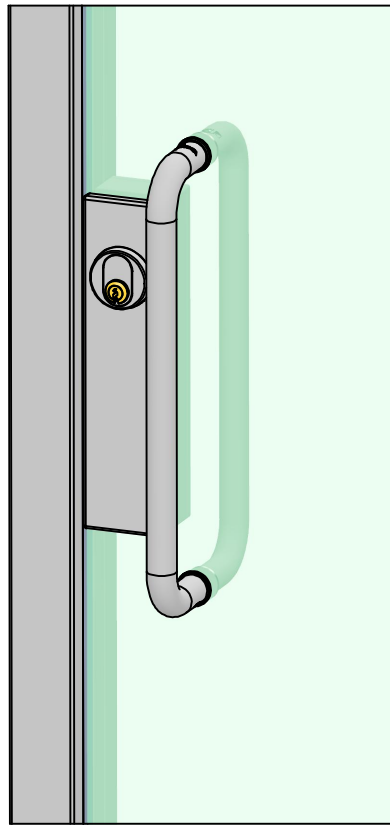
- cut the rubber profile.
- cut the plastic profile cover.



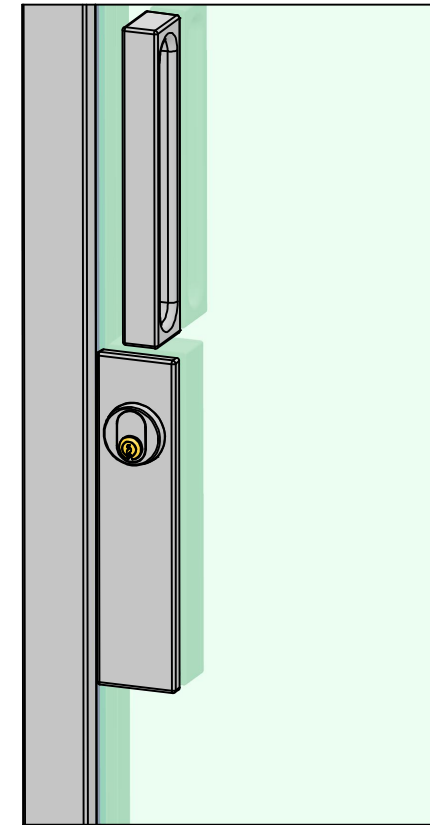
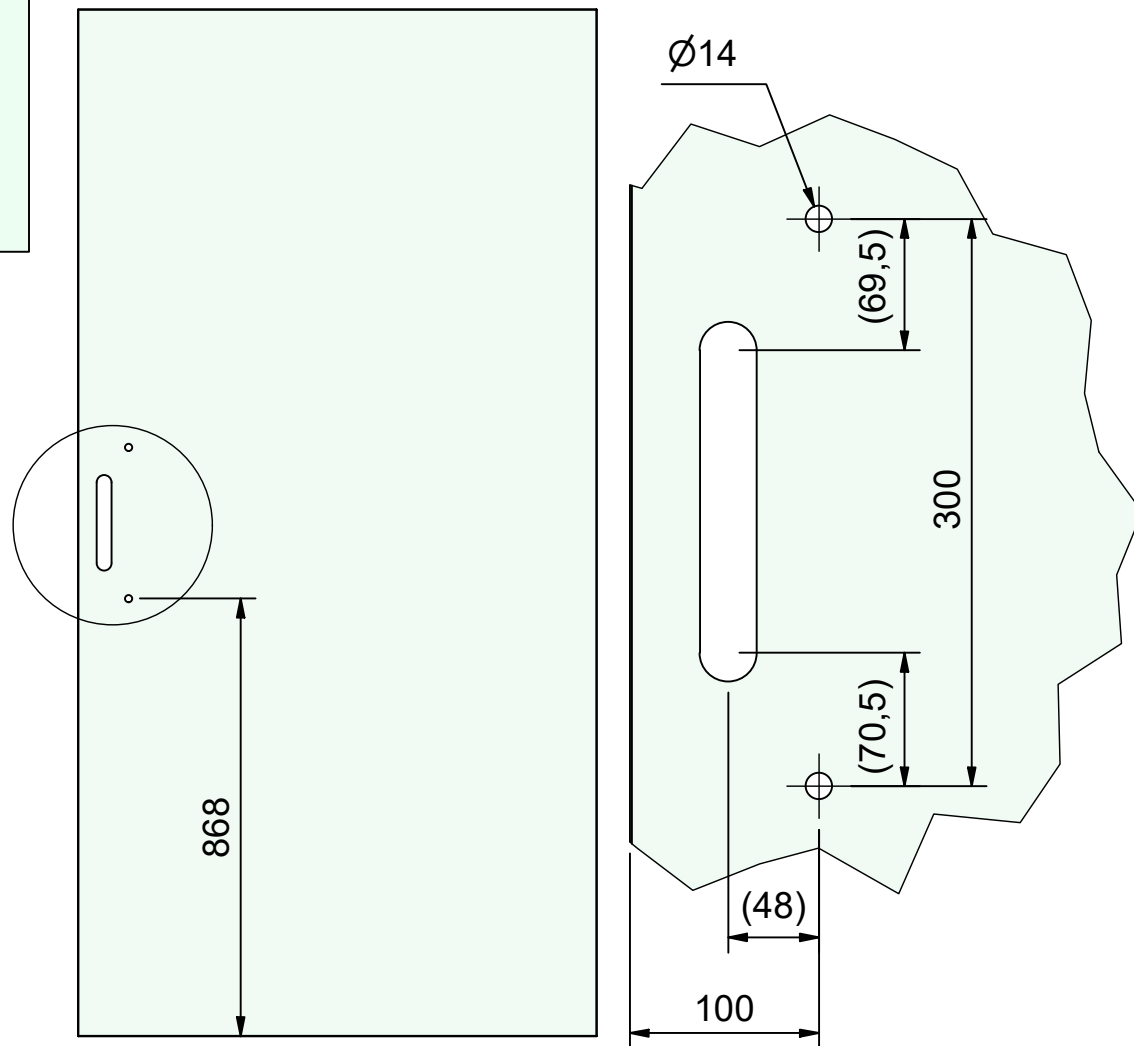


Glass cut out

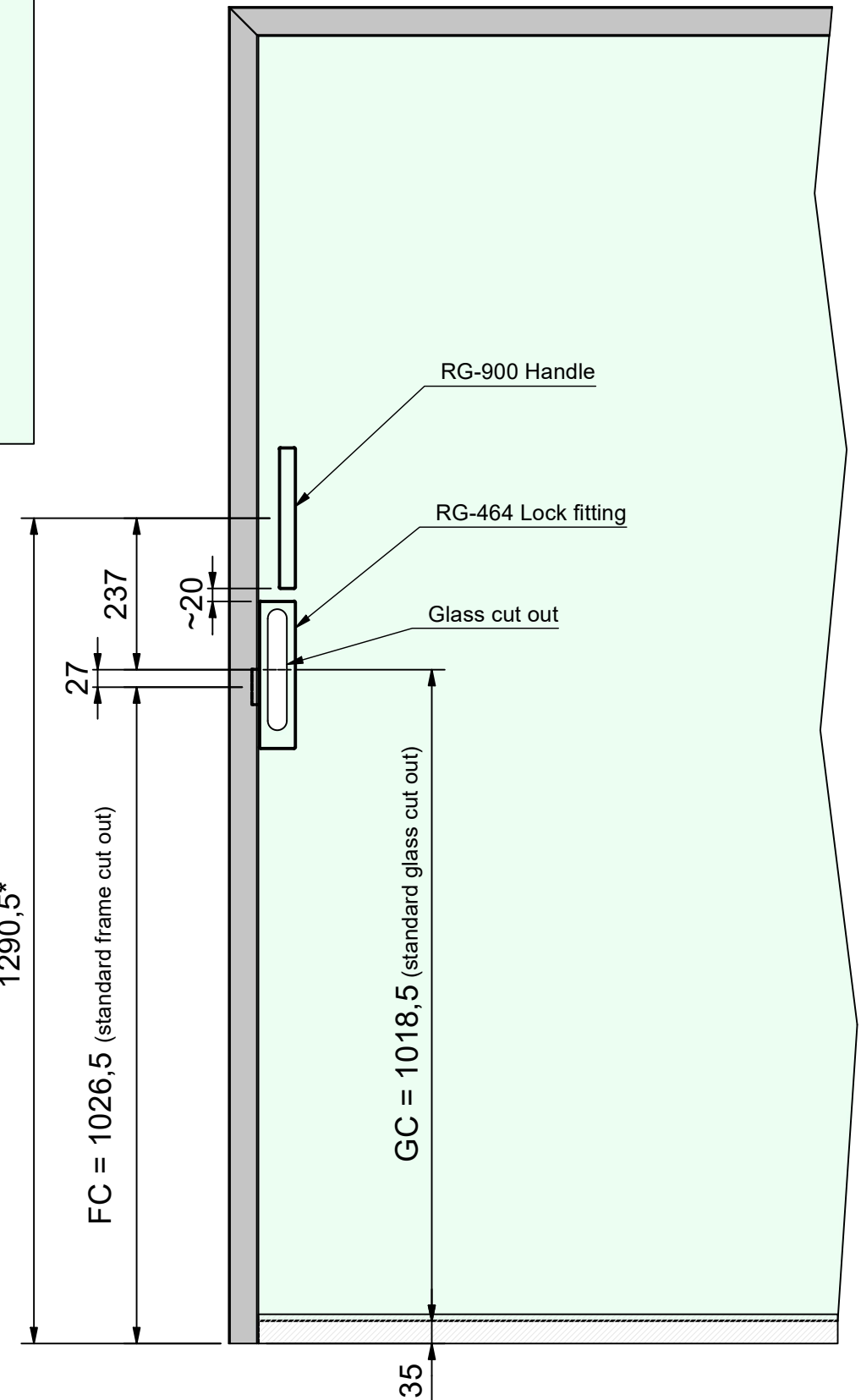
Date		V3 250117/AC
Description	Item no.	
Lock fitting Decibel sliding door		RG-464



Pull handle PP-601
 Item no. 935500
 Clear opening reduced 30mm



Pull handle RG-900
 Item no. 865394/95
 (mounted with tape)



* If lower height for pull handle is desired, adjust cut out heights accordingly:

GC (glass cut out) = pull handle height - 272mm
 FC (frame cut out) = pull handle height - 264mm

