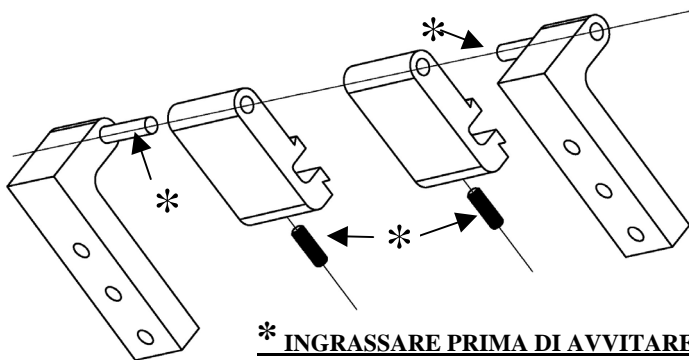


KIT OSCILLANTE PER ATTUATORI A CATENA "GREEN LINE"
OSCILLATING KIT FOR "GREEN LINE" ELECTRIC CHAIN ACTUATORS
KIT ETRIER PIVOTANT POUR COMMANDES ELECTRIQUE A CHAINE "GREEN LINE"
DREHKONSOLE FÜR "GREENLINE" KETTENANTRIEBE
KIT OSCILLANTE PARA EJECUTORES ELECTRICOS A CADENA "GREEN LINE"

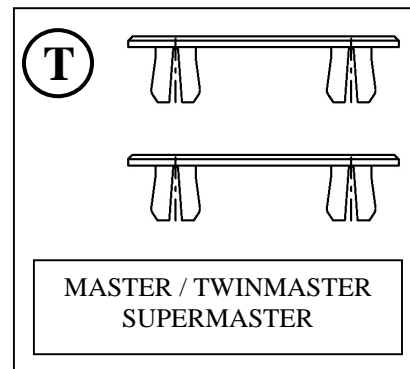
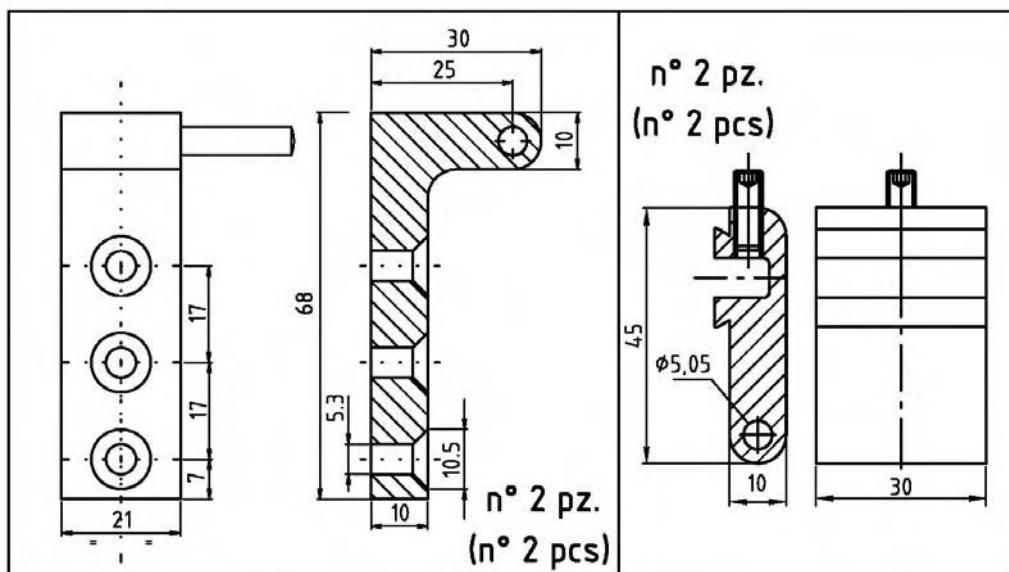
MANUALE D'USO: ISTRUZIONI ED AVVERTENZE / USE MANUAL: INSTRUCTIONS AND NOTICES /
 MANUEL POUR L'EMPLOY: INSTRUCTIONS ET AVERTISSEMENTS /
 GEBRAUCHSANWEISUNGEN: LEITUNG UND ANMERKUNG / INSTRUCCIONES DE MONTAJE



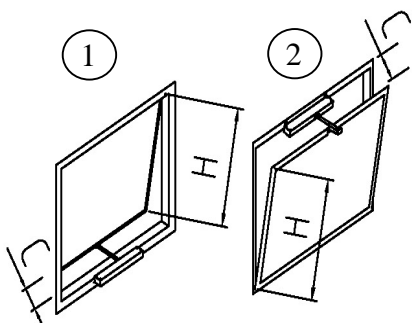
Art. 40560T



*** INGRASSARE PRIMA DI AVVITARE - LUBRICATE BEFORE SCREWING**
LUBRIFIER AVANT DE LA POSE - BEVOR SCHMIEREN- ANTES LUBRICAR

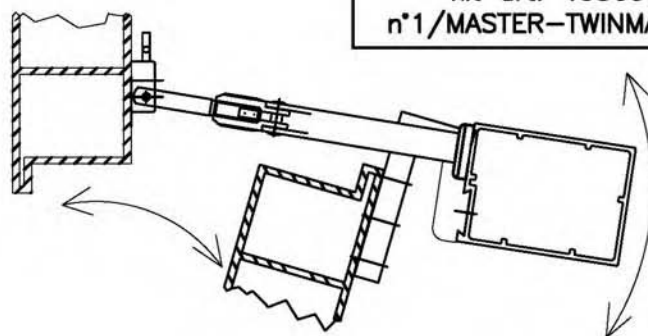
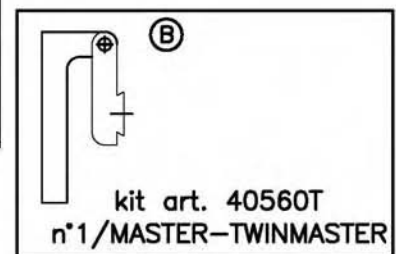
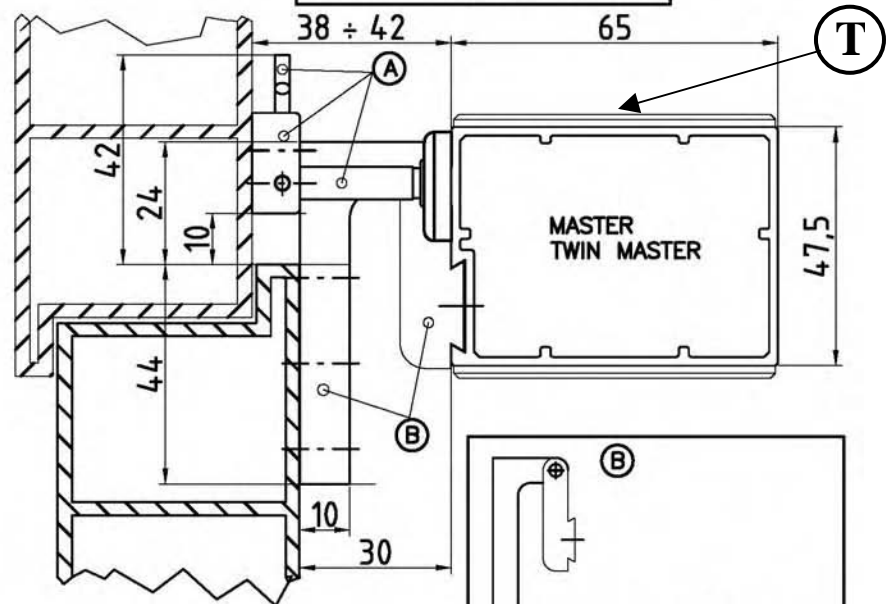
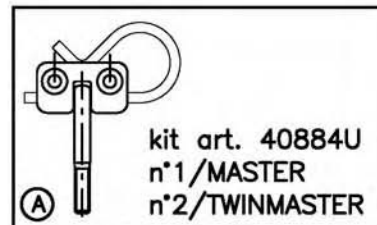
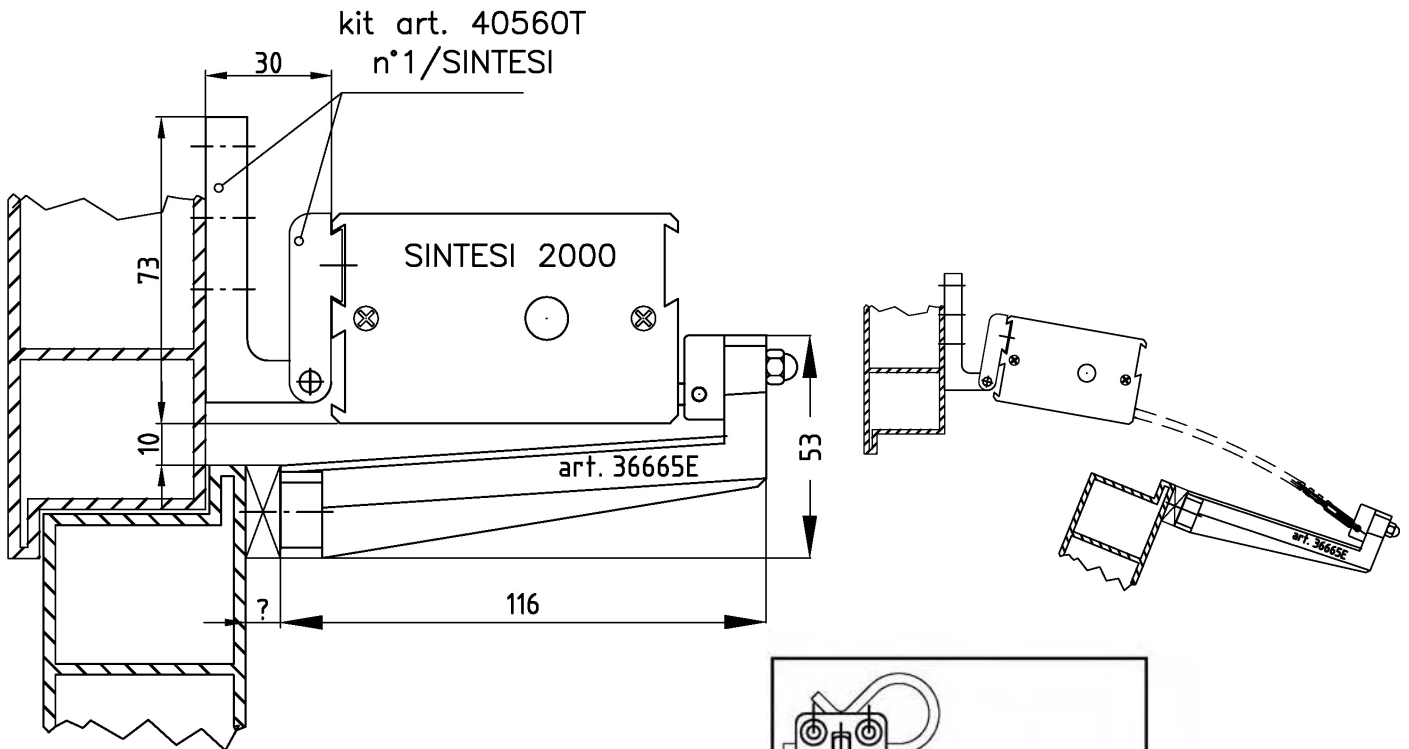


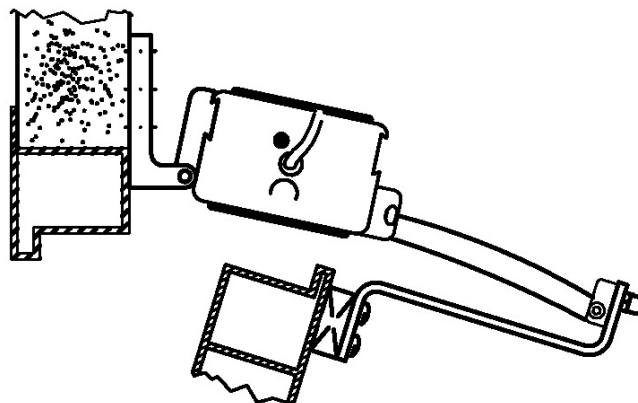
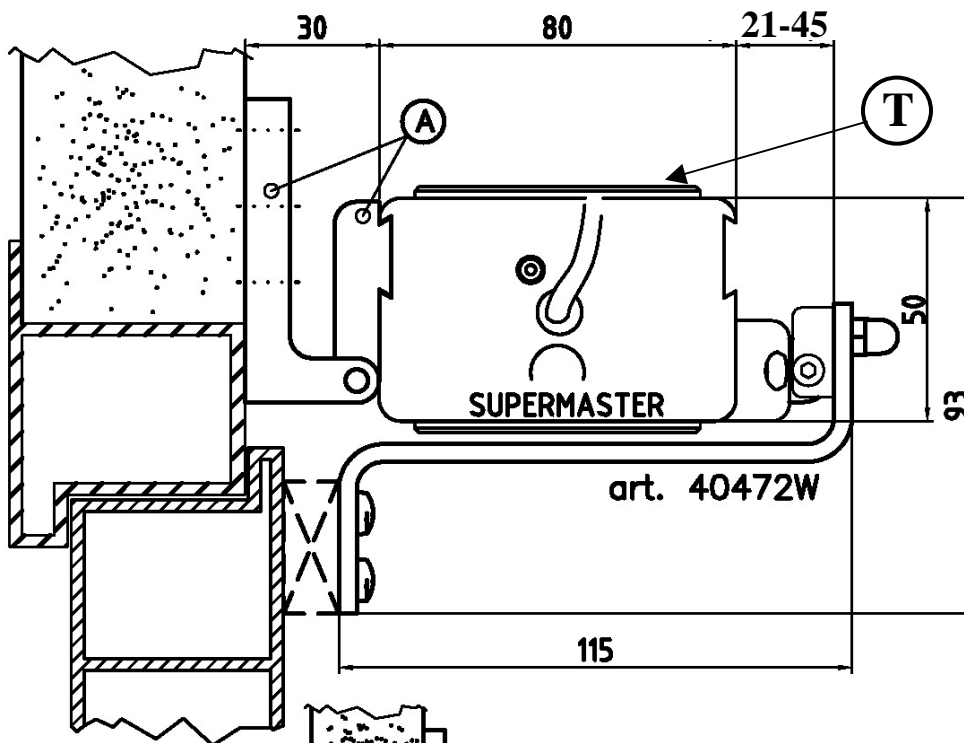
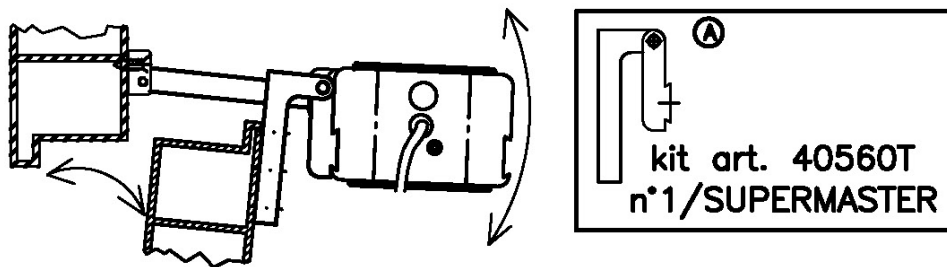
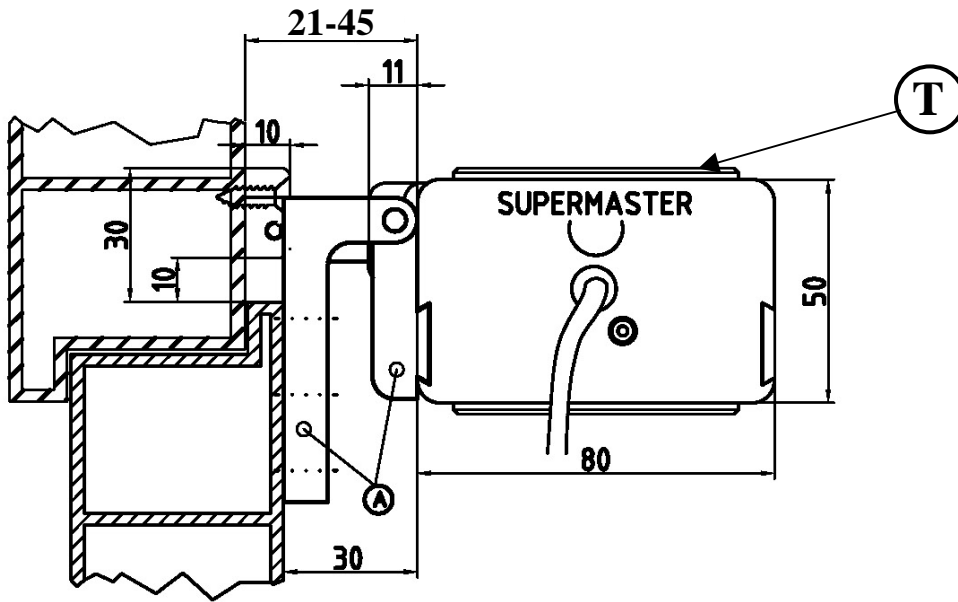
Staffe standard - Standard brackets - Étriers standard
 Standard konsolen - Abrazaderas estándar



H (mm)	SINTESI C=250 mm	SINTESI C=380 mm	MASTER/TWINMASTER C=380 mm	SUPERMASTER C=450 mm	SUPERMASTER C=600 mm	SUPERMASTER C=800 mm
< 500	2	2	1-2	1-2	1-2	1-2
500-800		2	1-2	1-2	1-2	1-2
< 900				1-2	1-2	1-2
900-1200					1-2	1-2
1200-1600						1-2
>1600						

Finestre a wasistas - Bottom hinged windows - Fenestres a soufflet
Kippfenster - Ventanas de apertura al interior





Finestre a sporgere - Top hinged windows - Chassis projectants
Klappfenster - Ventanas de apertura al exterior

