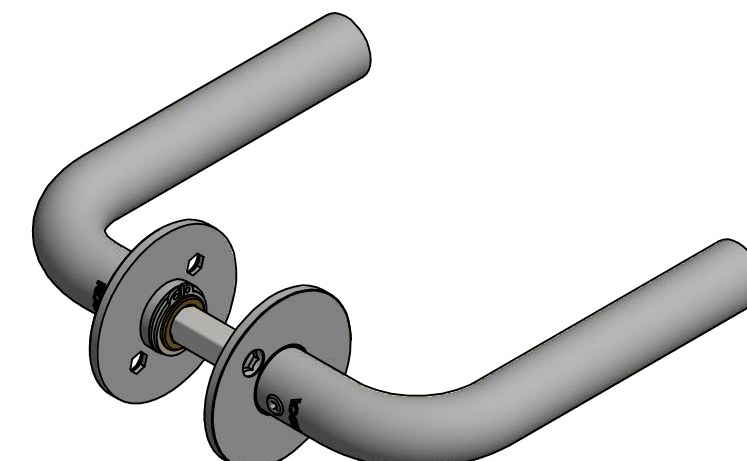


931214,931216



931218,931220,931223

Table					
Item no.	Material	Treatment	L=mm	H=mm	Ø=mm
931214	AISI304	Satin polished	120	43	16
931216	AISI304	Polished	120	43	16
931218	AISI304	Satin polished	130	44	19
931220	AISI304	Polished	130	44	19
931223	AISI304	Painted black (RAL 9005)	130	44	19