

For easier mounting (to reach the screws for wall and table).
 - Fold the bracket to down position.
 - Pull the release lever and start to move it to upper position, then the link arm will be released.
 - Fold the table/shelf and push so the link arm will click into place.
 When folded down, the magnet will hold the table in closed position.

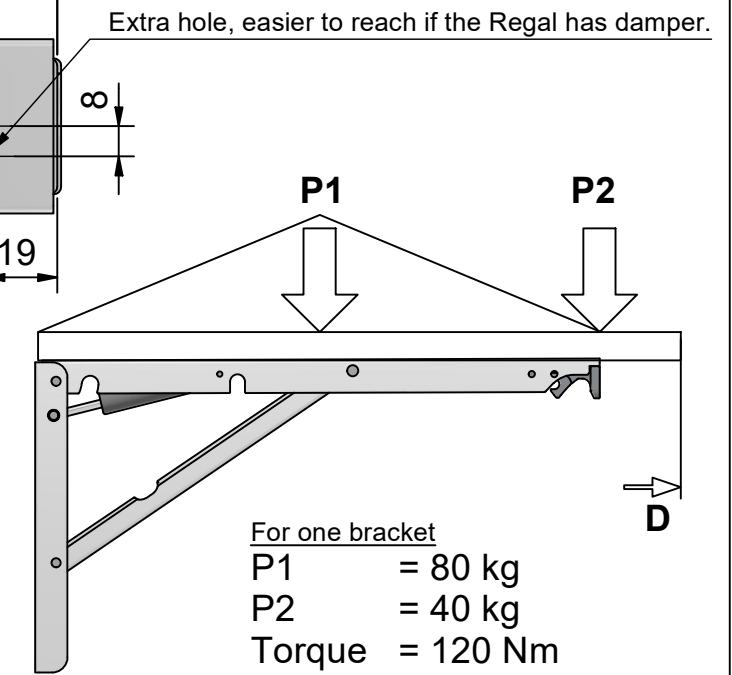
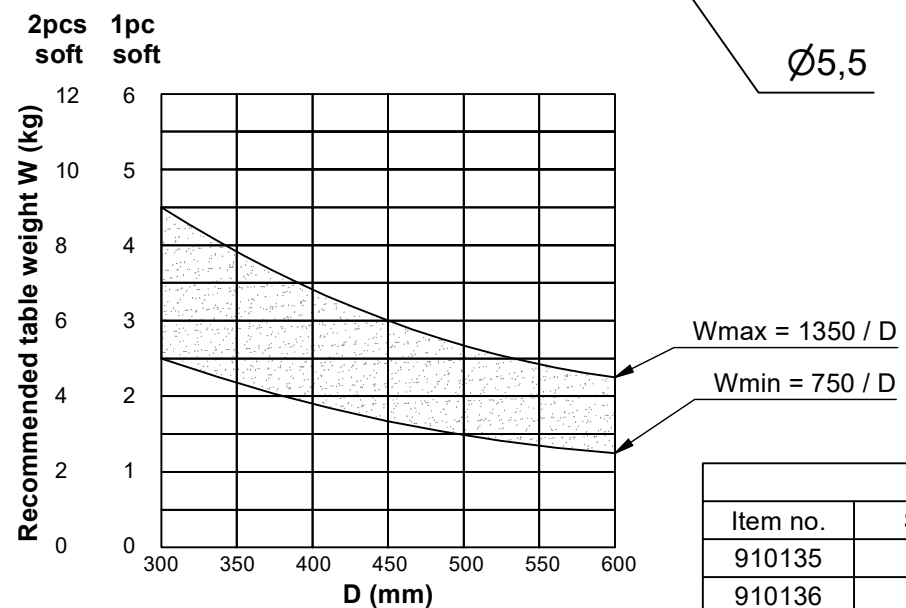
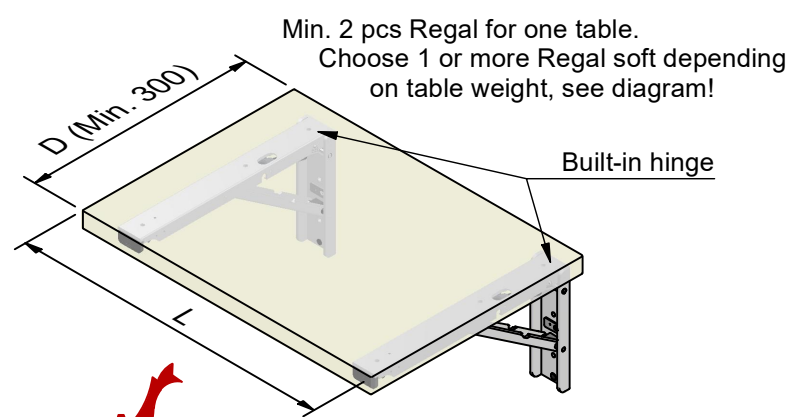
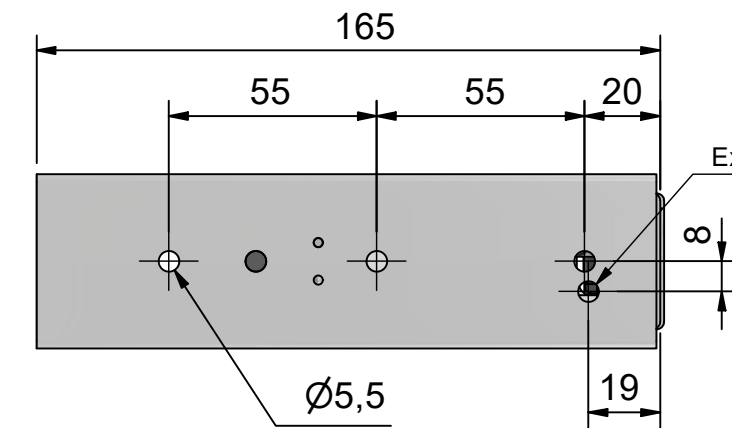
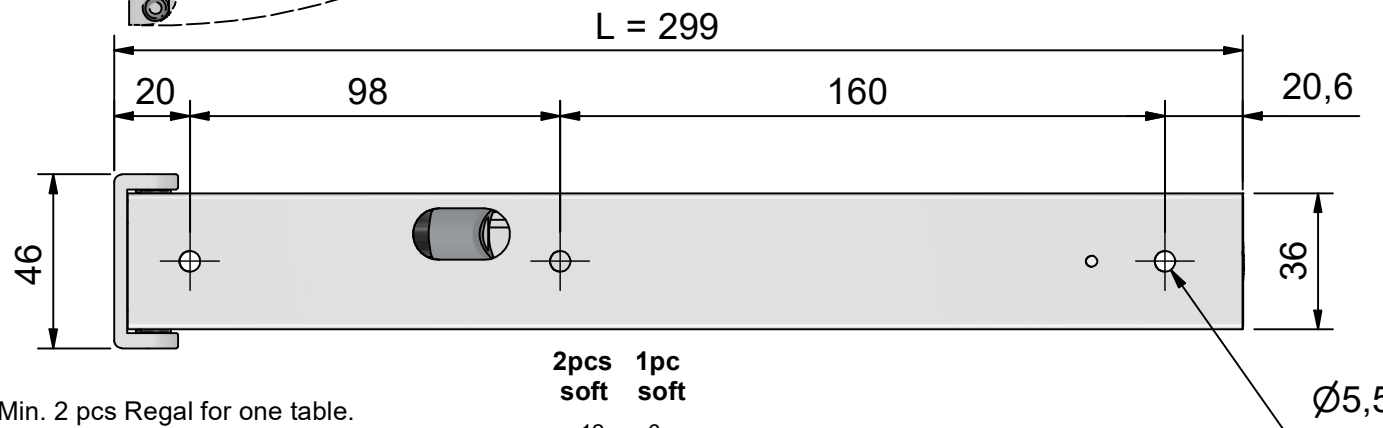


Table				
Item no.	Size	L	Color	Soft
910135	L	299	Natural	Yes
910136	L	299	Black	Yes

Aluminum / Anodized	Date V1 231026/LW
Description REGAL L	Item no. 910135-0136