

(1 : 2)

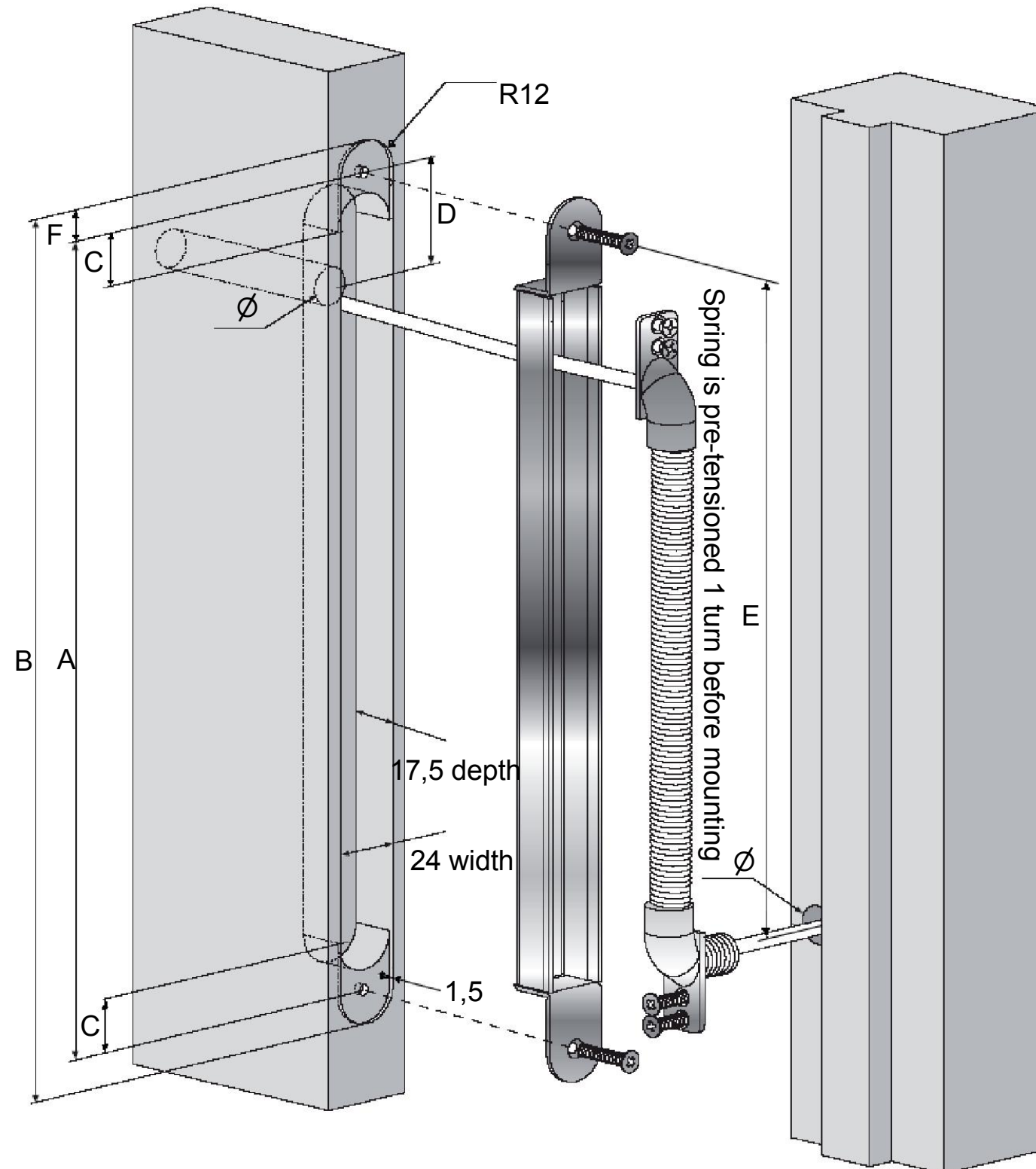
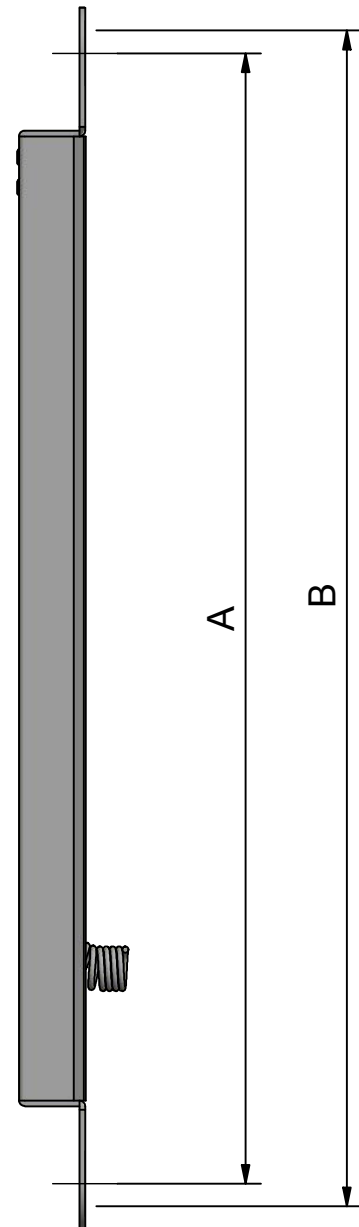


Table			
Model name	Item no.	Material	Treatment
CT-3208	904630	Steel	Chrome plated
CT-3210	927130	Steel	Chrome plated
CT-5408	904637	Steel	Chrome plated
CT-5410	927137	Steel	Chrome plated

Table							
Model	A=mm	B=mm	C=mm	D=mm	E=mm	F=mm	ϕ =mm
CT-3208	299	323	20,5	40-57	~242	12	14
CT-3210	299	323	20,5	40-57	~242	12	16
CT-5408	521	543	20,5	40-57	~462	11	14
CT-5410	521	543	20,5	40-57	~462	11	16

