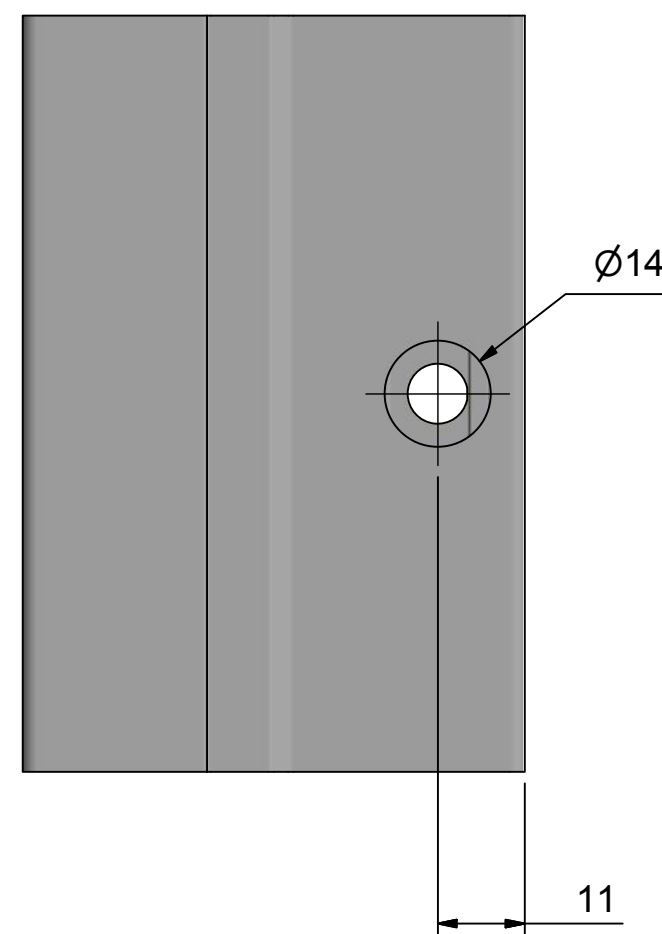
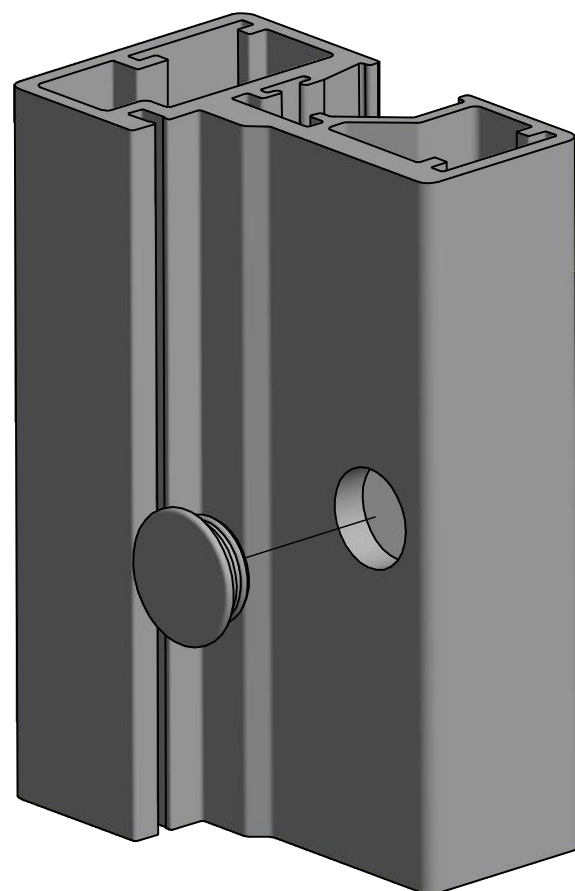




ROCA



Hole in the wall adapted to the chosen screw