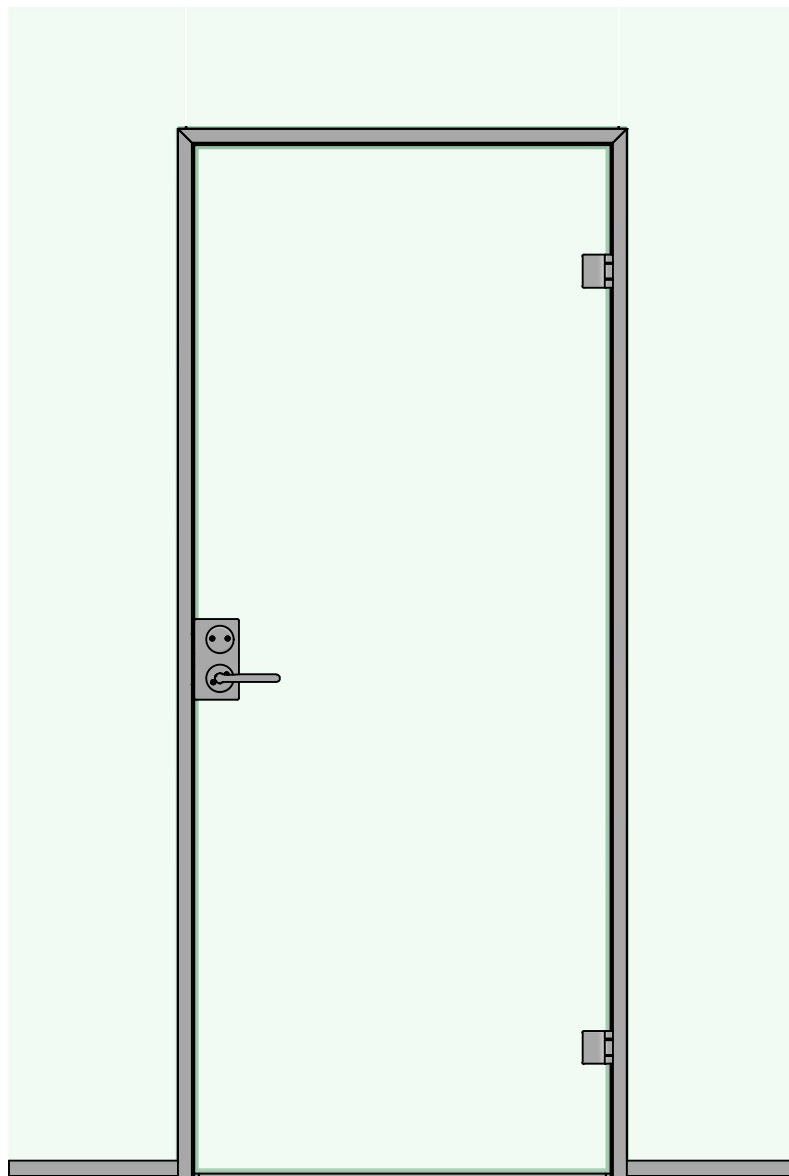
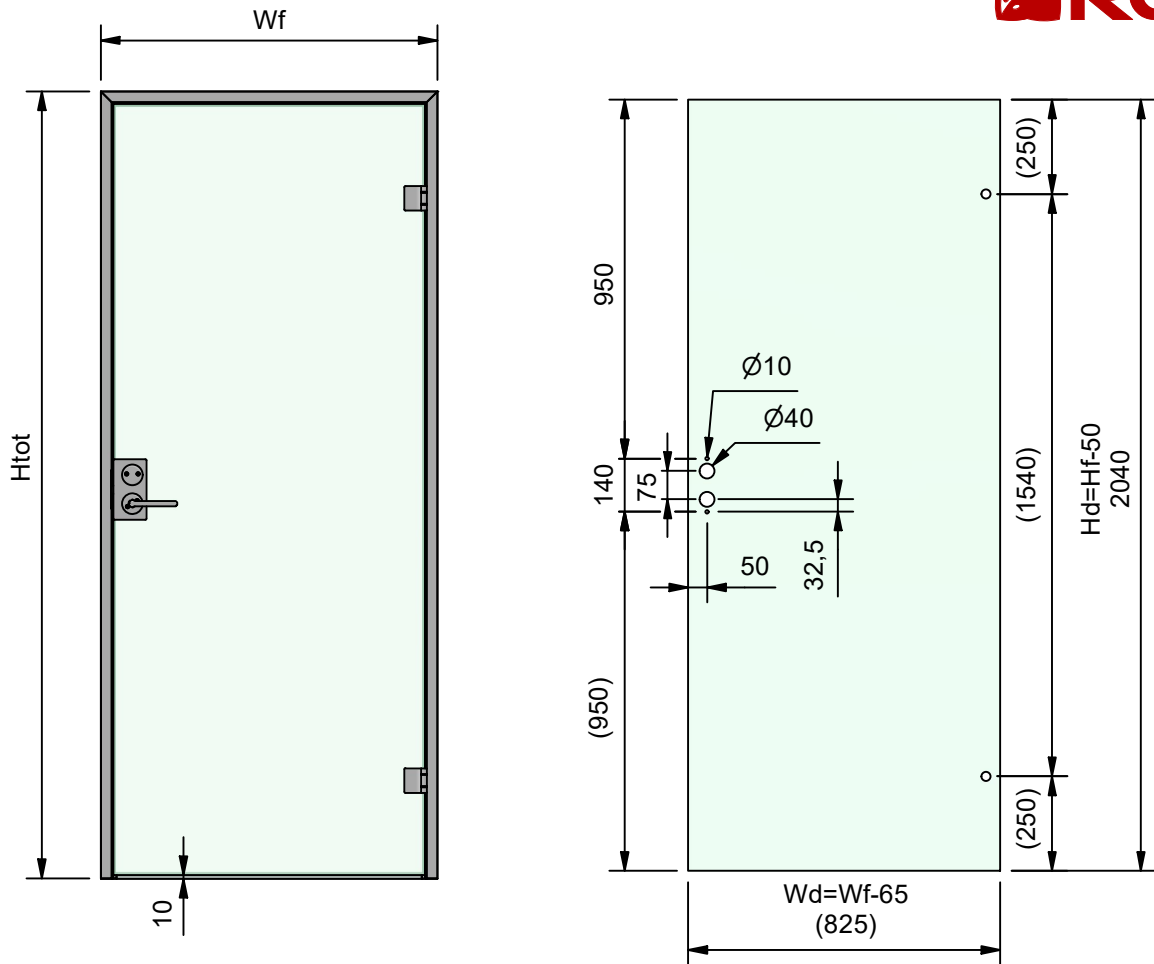




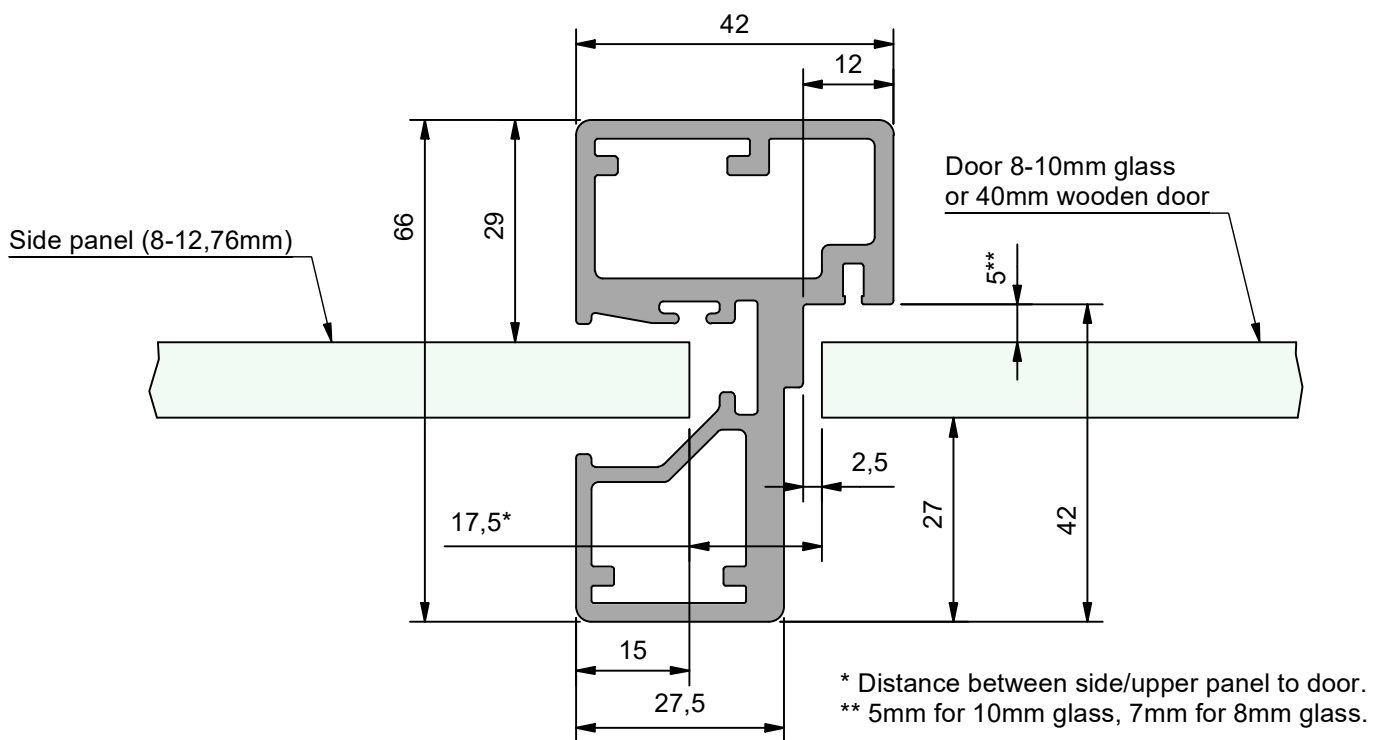
Decibel Standard door Installation manual





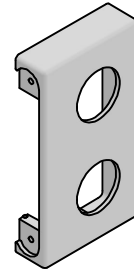
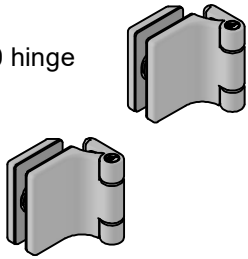
H_d = Height of door
 H_f = Height of frame
 W_d = Width of door
 W_f = Width of frame

Glass door measures
 Measurements inside
 parenthesis =
 standard door 9x21



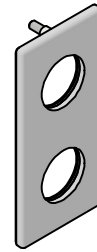
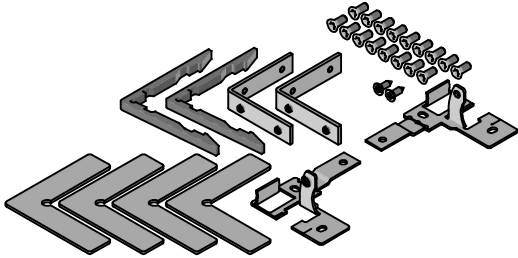
* Distance between side/upper panel to door.
 ** 5mm for 10mm glass, 7mm for 8mm glass.

RG-490 hinge



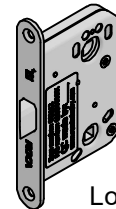
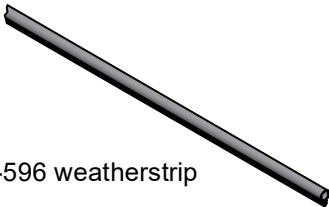
RG-441 lock fitting

RG-582 frame kit



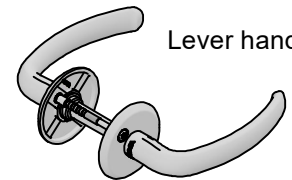
RG-446 lock cover

RG-596 weatherstrip



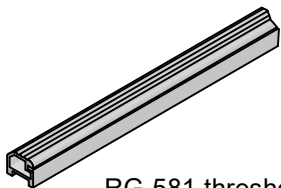
Lock case Easy

RG-448 strike plate



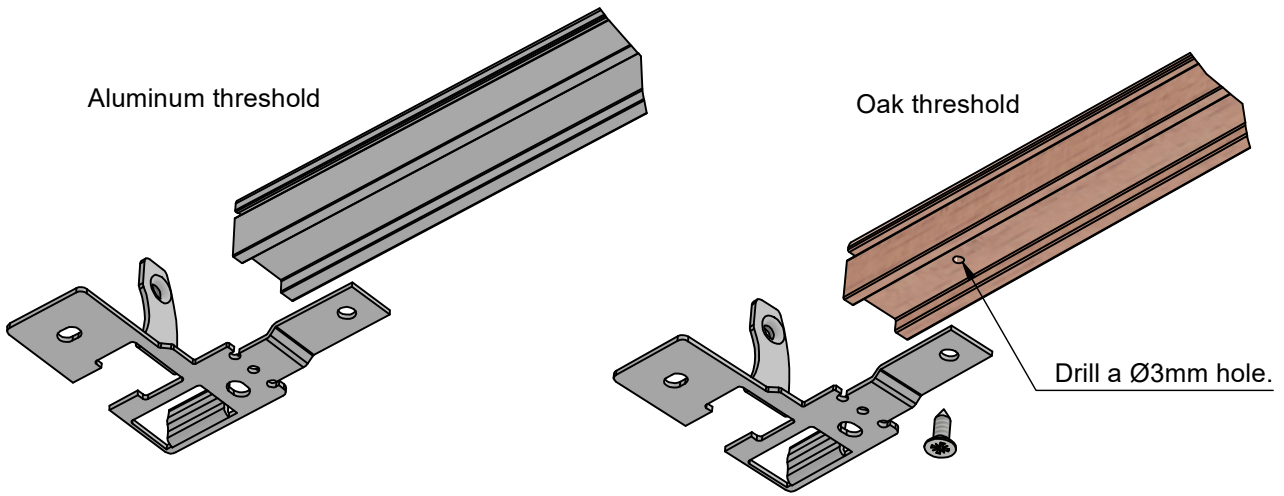
Lever handle

RG-581 threshold

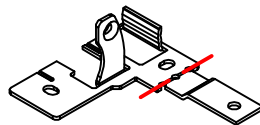


Blind rosette 4265

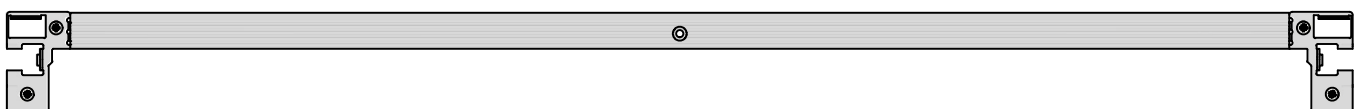
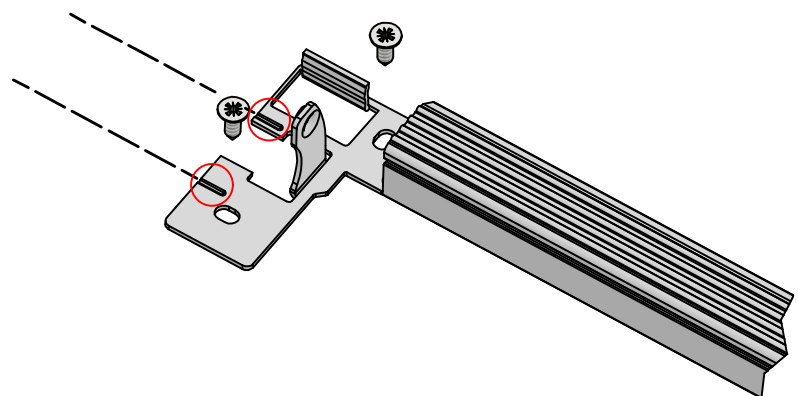
Put together the threshold and the floor brackets.



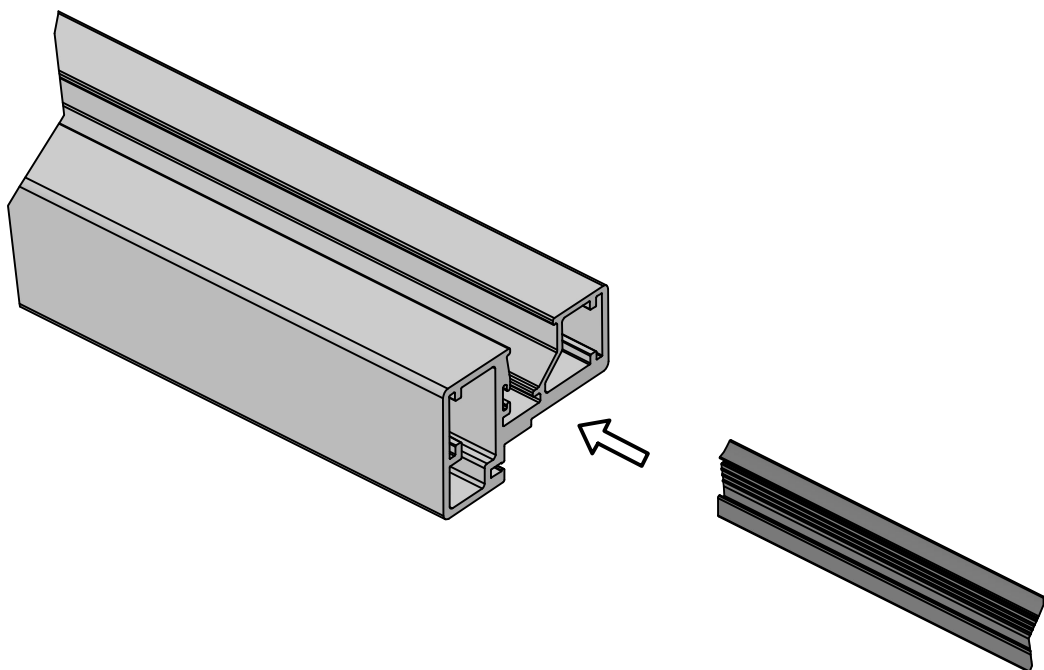
If no threshold, remove at the notch.

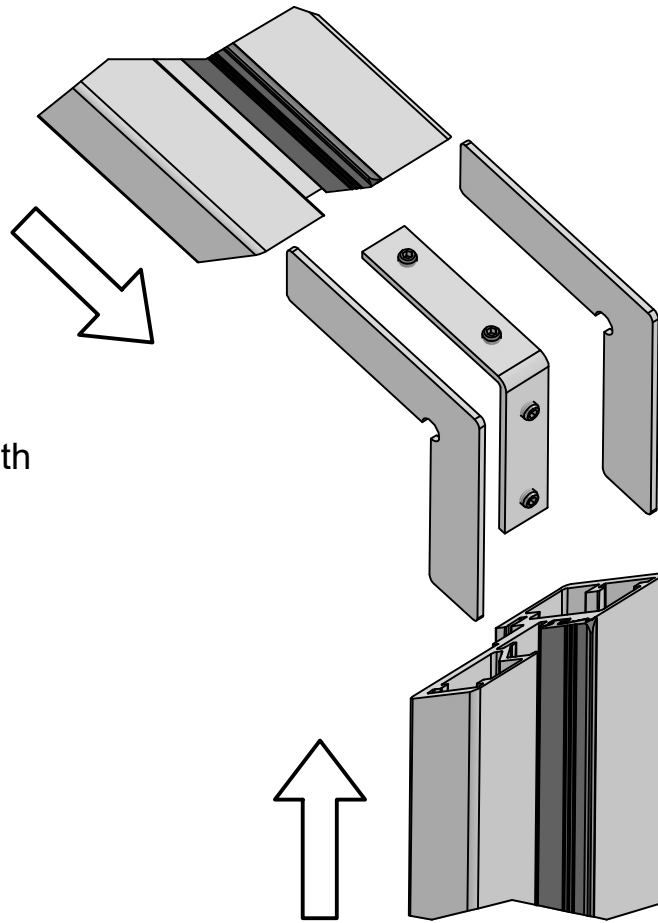


Attach the brackets to the floor.
Two marked lines on the bracket show position of glass wall profiles.

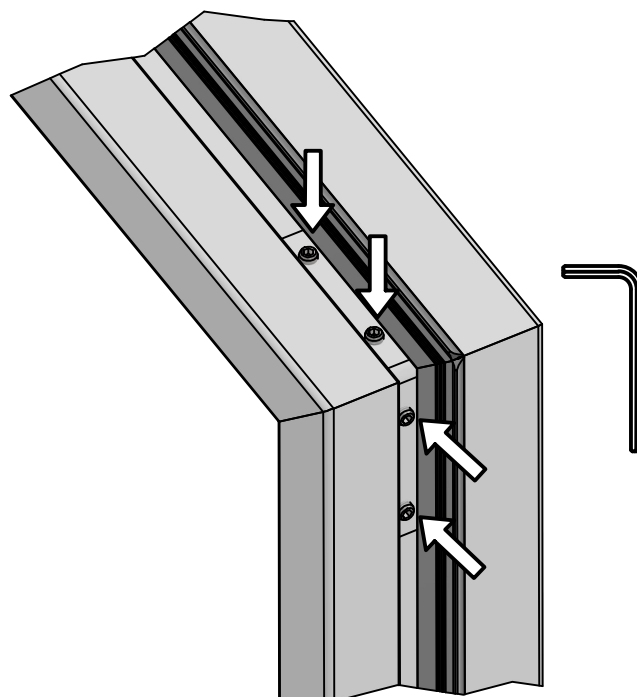


If using RG-520 base gasket, mount it in the frame track before assembling the frame.



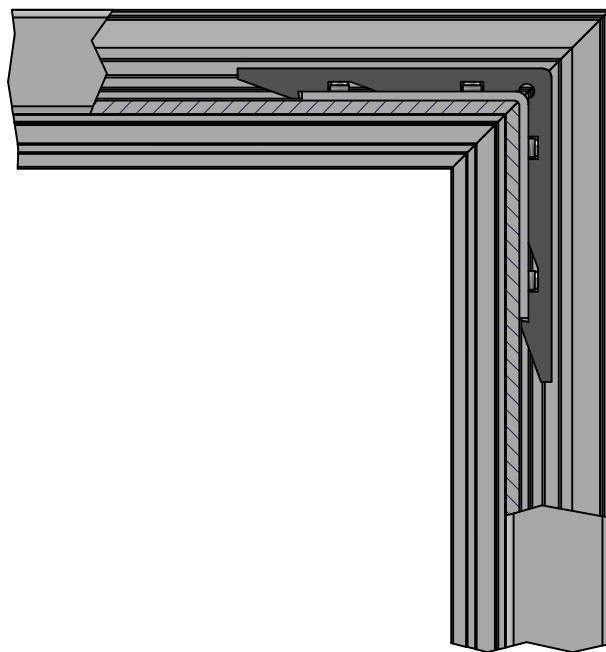
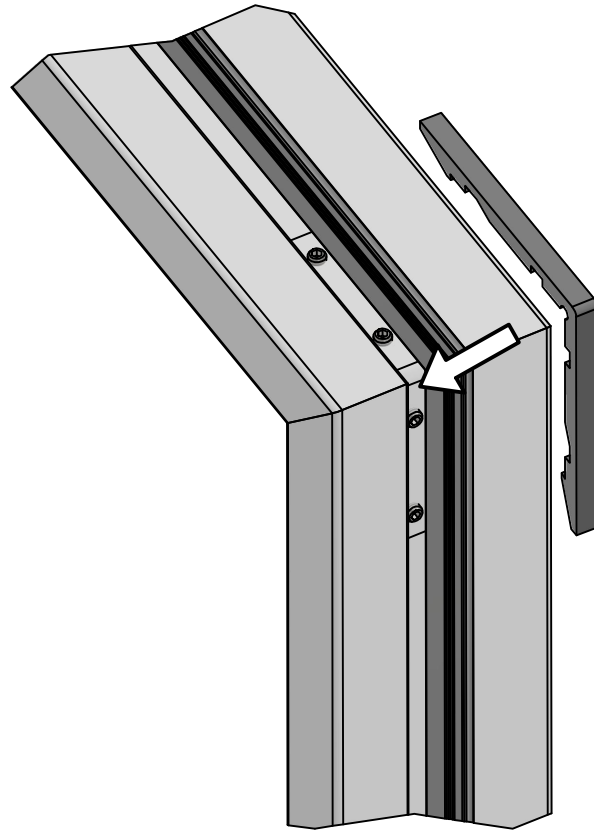


Slide the brackets into the frame slots and connect both frame profiles.

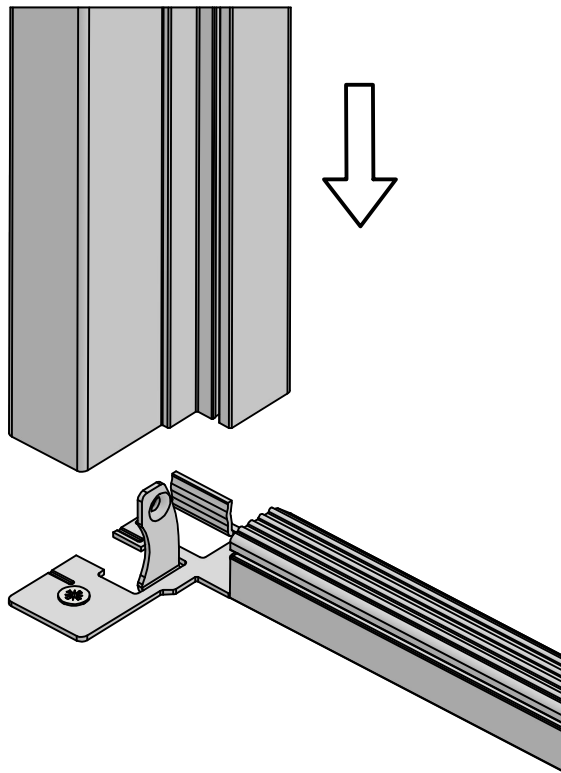


Tighten the set screws.

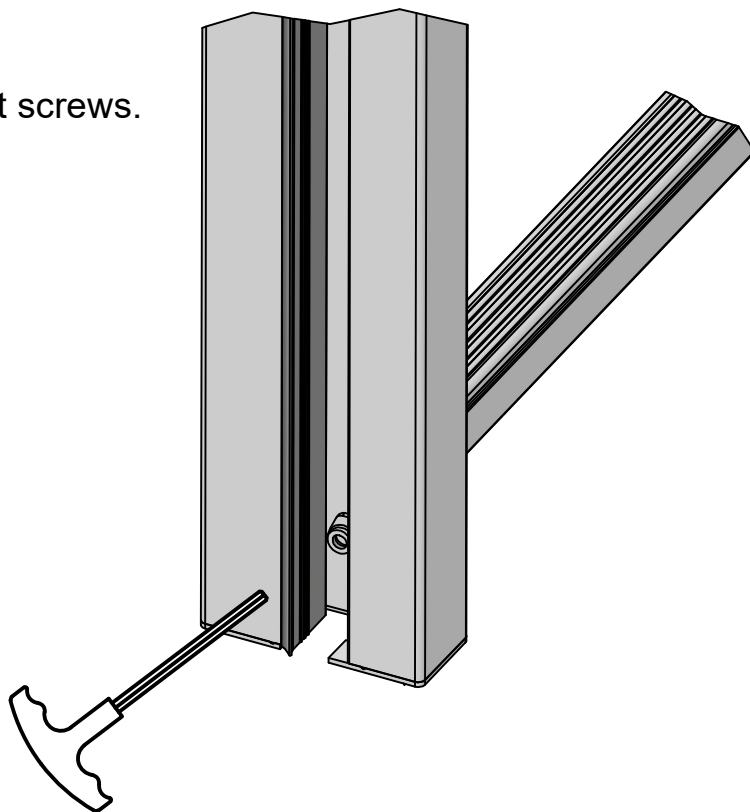
Attach the corner
glass protection.



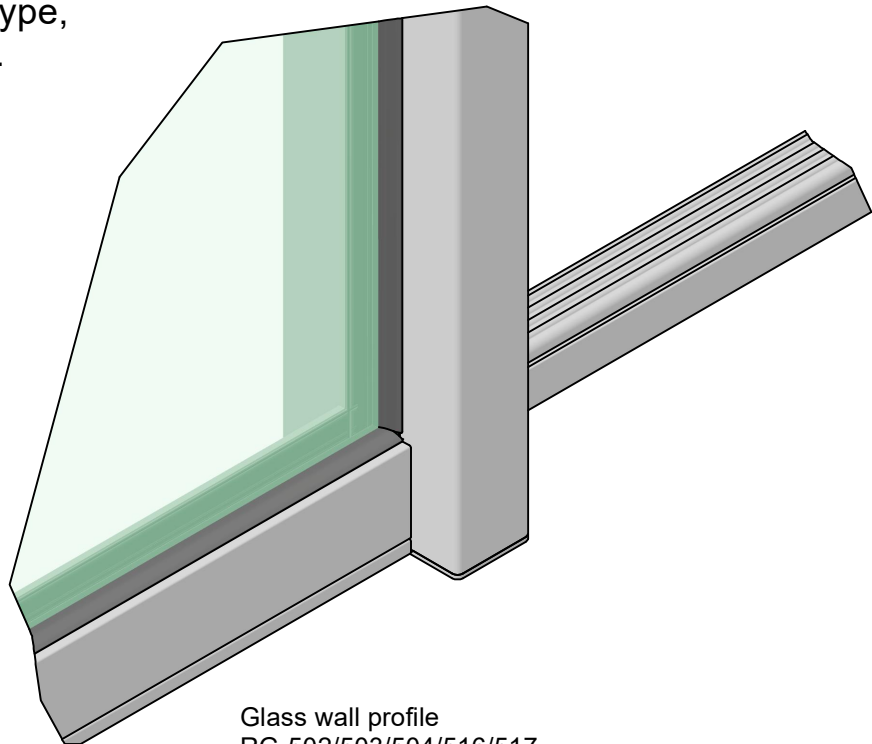
Fit the frame onto the brackets.



Tighten the set screws.



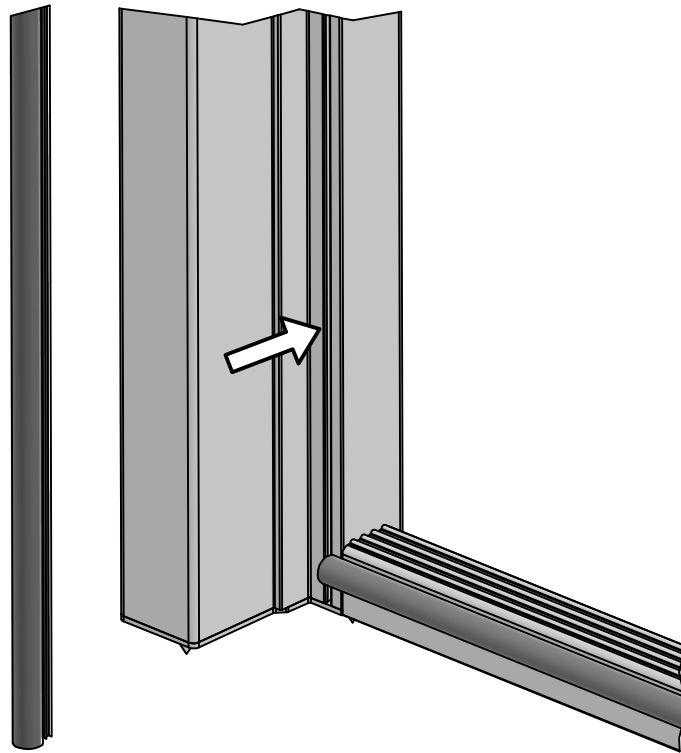
Installing glass walls,
use wedge gaskets
made for right glass
thickness and profile type,
according to the table.



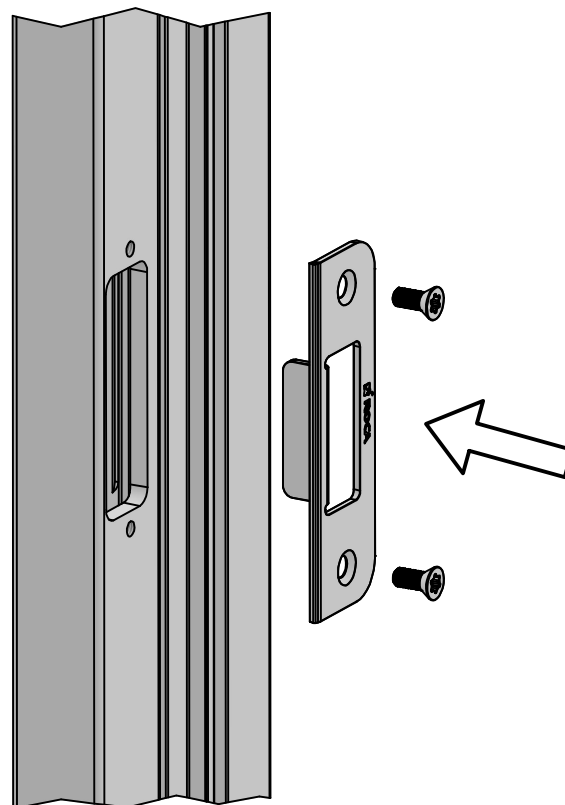
Glass wall profile
RG-502/503/504/516/517

Profile	Glass thickness	RG-521 Wedge sealing				RG-520
		860398 862507	860395 862505	860397	862510 862511	Base sealing
RG-502	8 - 8,76			1		1
	10 - 10,76		1			1
	12 - 12,76	1 + 1				
RG-503/580	8 - 8,76			1		1
	10 - 10,76		1			1
	12 - 12,76	1				1
RG-504	8 - 8,76			1		1
	10 - 10,76		1			1
	12 - 12,76	1				1
RG-502/503/504/516/517/580/5800	8 - 8,76		1 + 1			
	10 - 10,76				1 + 1	
	12 - 12,76	1 + 1				

Attach the weatherstrip.

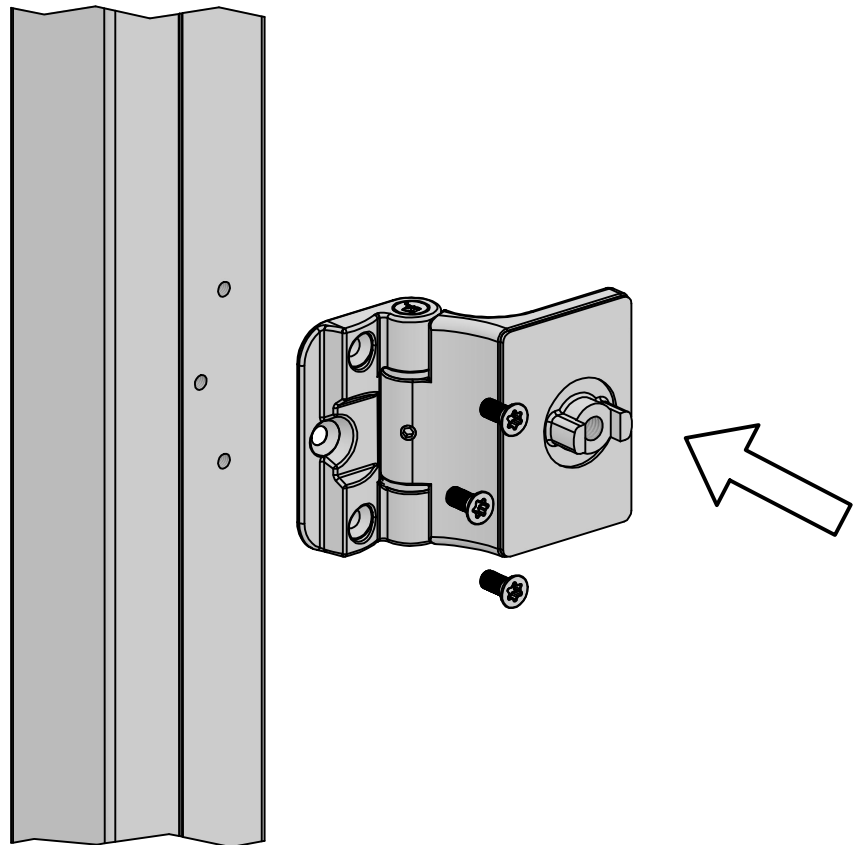


Attach the strike plate with M5 screws.

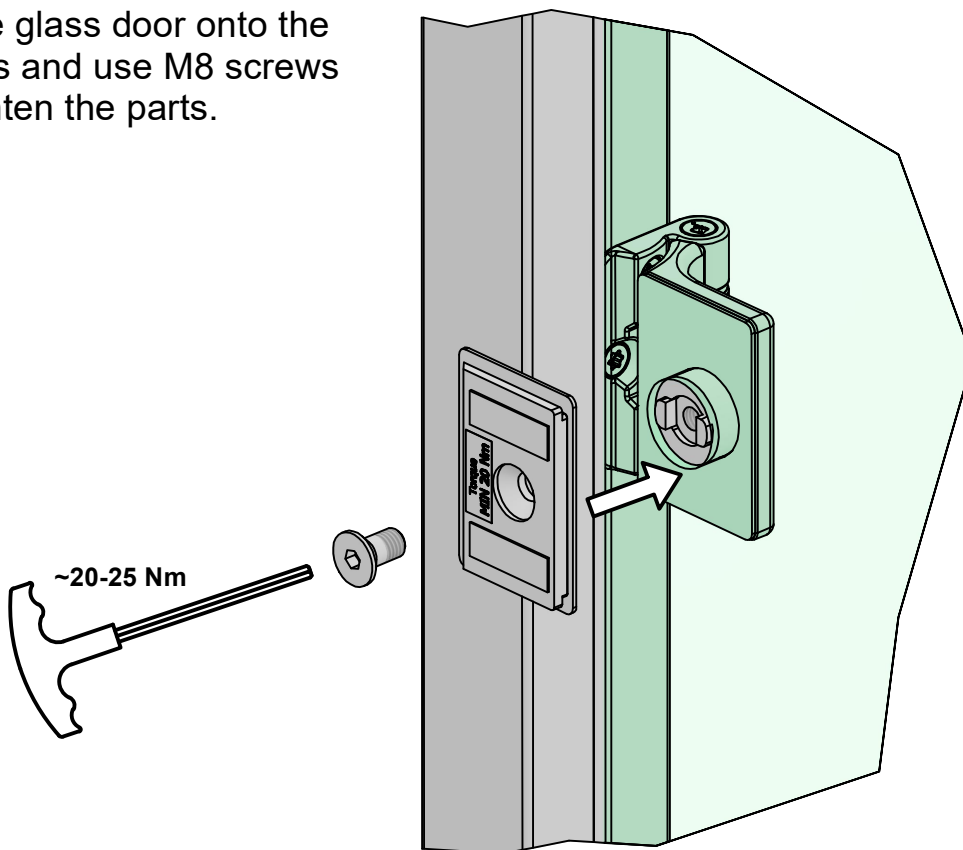


Attach the hinges with
M5 screws

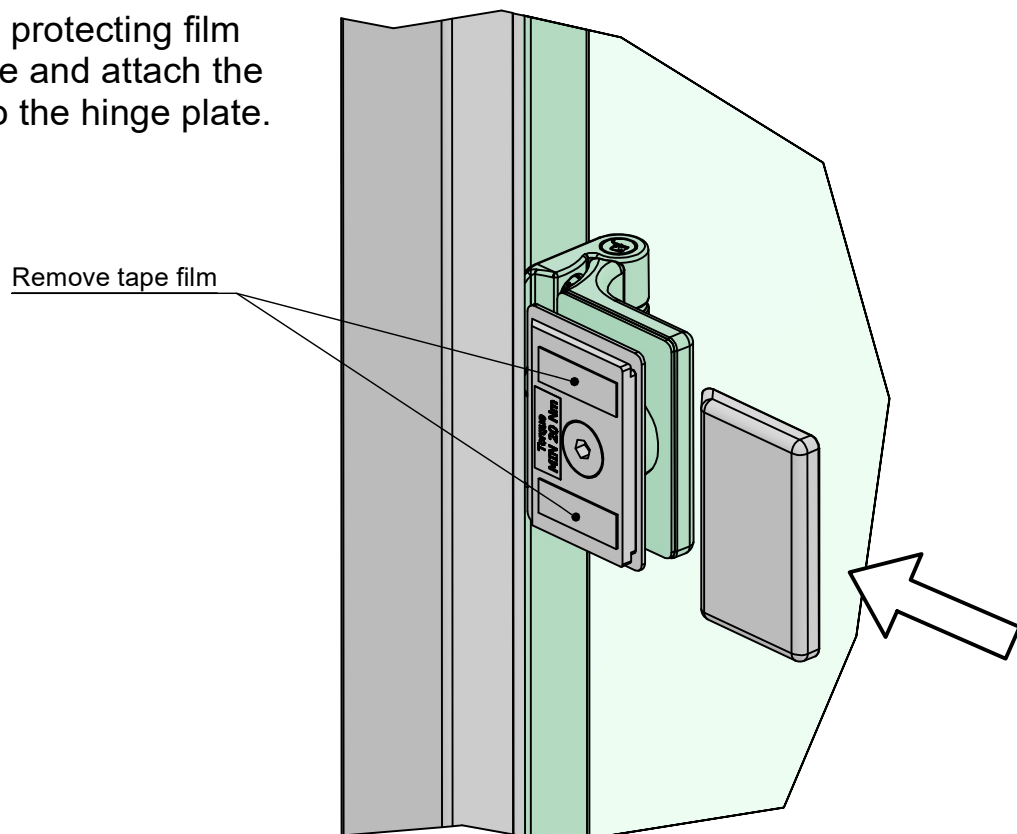
max 6Nm



Fit the glass door onto the hinges and use M8 screws to tighten the parts.

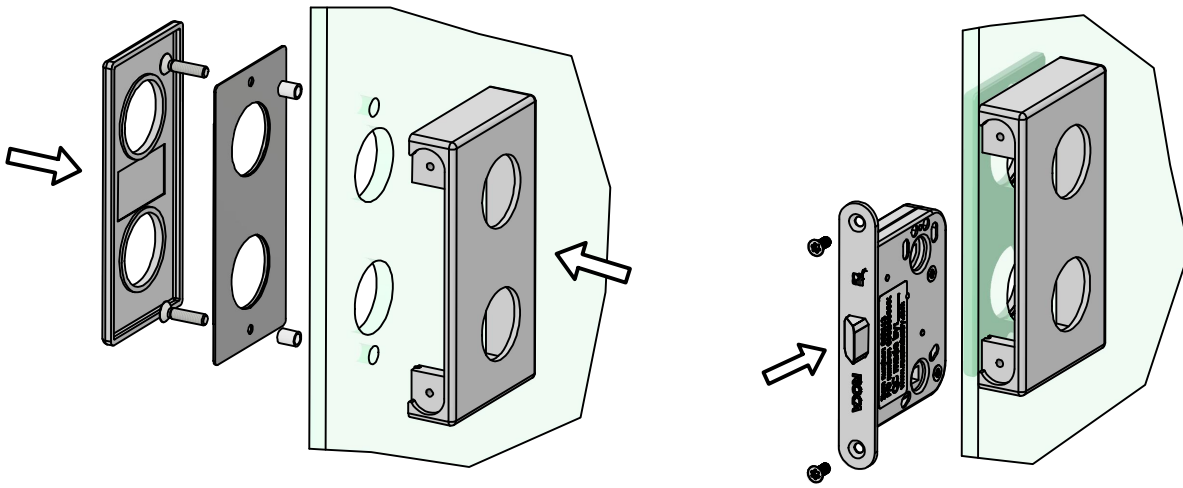


Remove the protecting film from the tape and attach the hinge lock to the hinge plate.

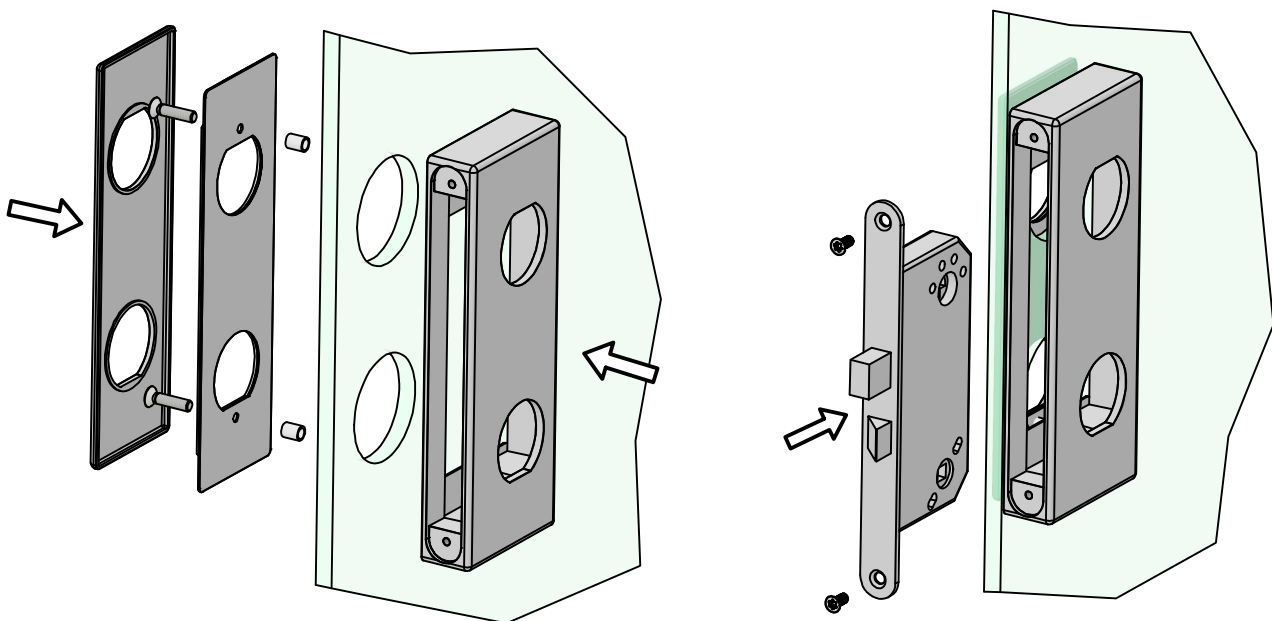


Mount the lock fitting
and lock cover. Attach
lock case.

**Easy
RG-441 + RG-446**



**Module
RG-470 + RG-471**



Attach handles and
rosettes.

