

User and assembly instruction for installation channel, EI-zone | RG-530



860950



860954



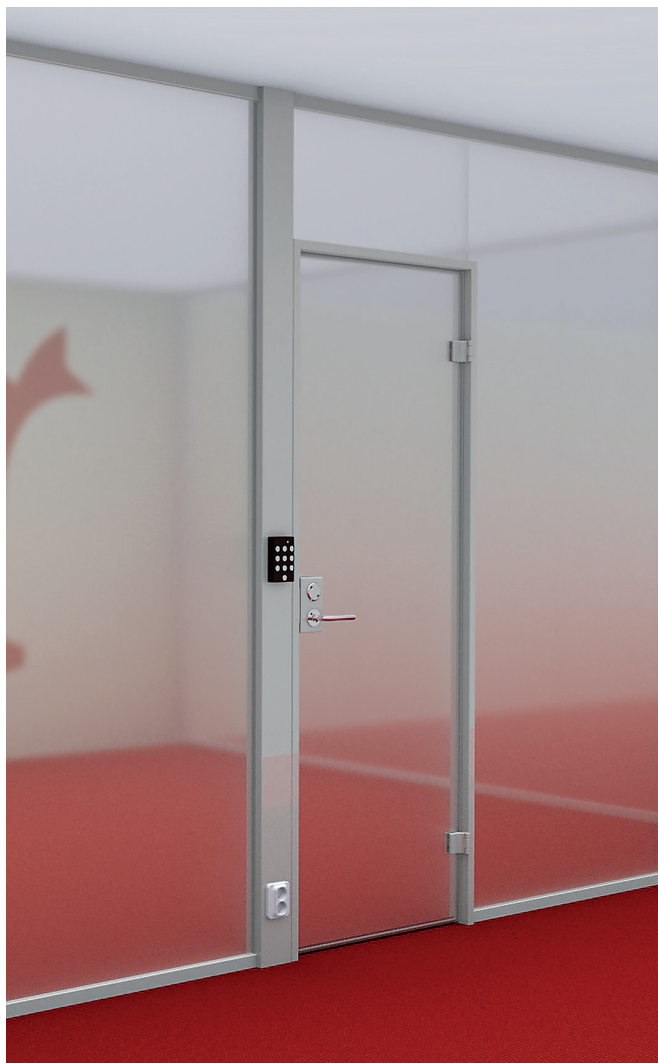
RG-580



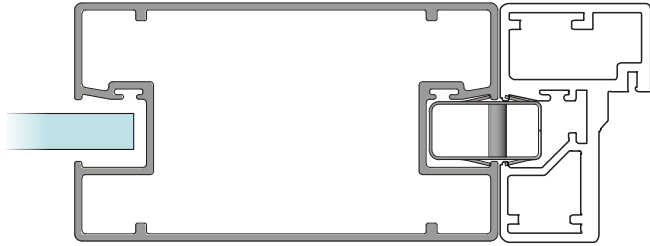
RG-520



RG-521

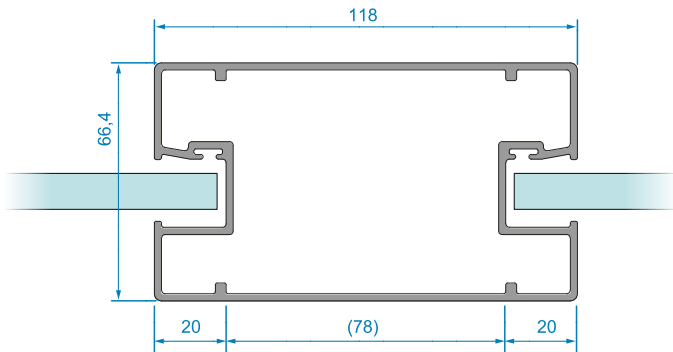


With ROCA Decibel Alu frame RG-580

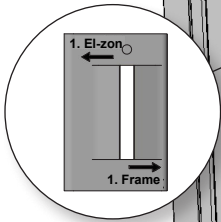
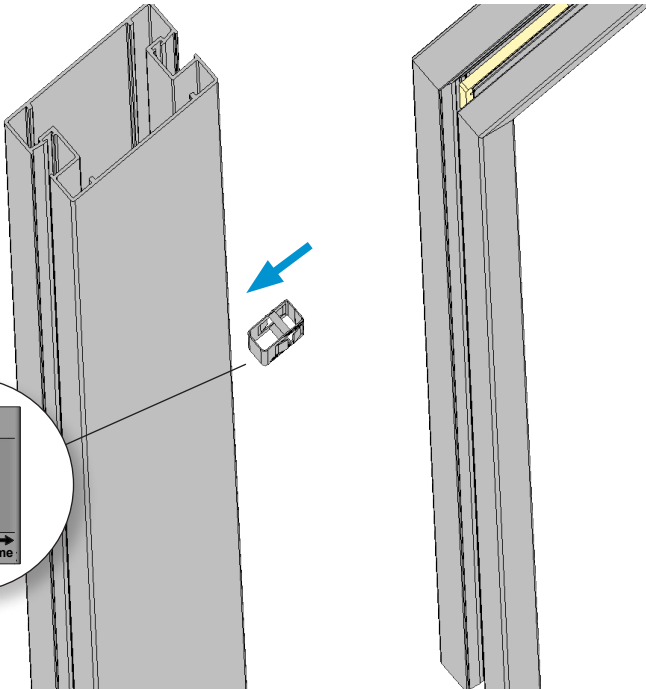
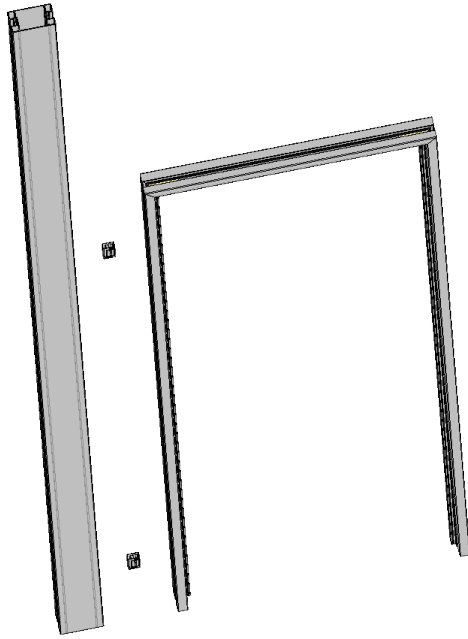


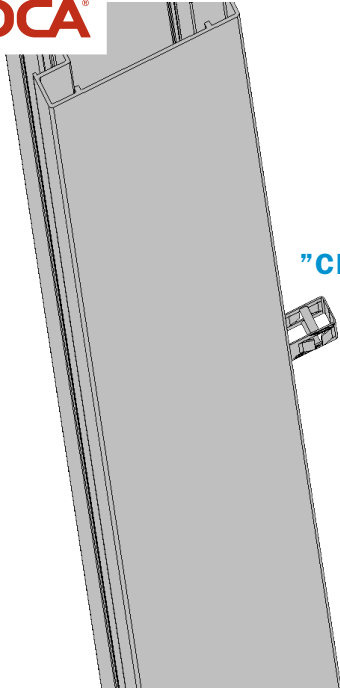
 **Page 3-8**

Stand-alone

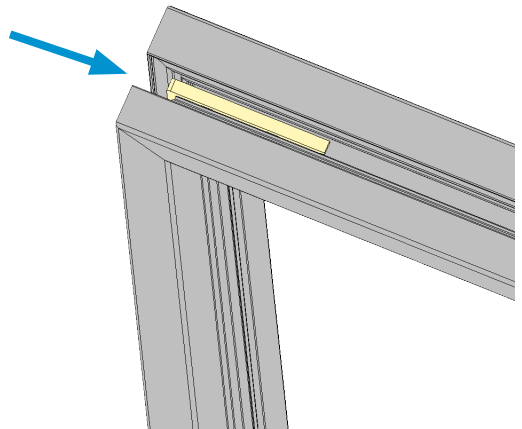
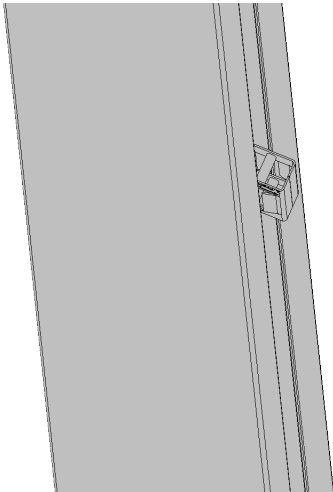
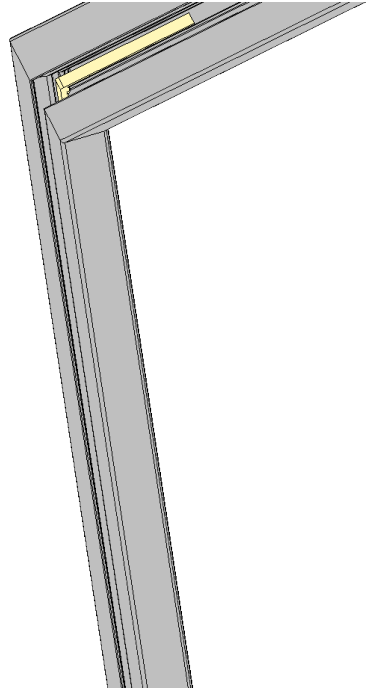


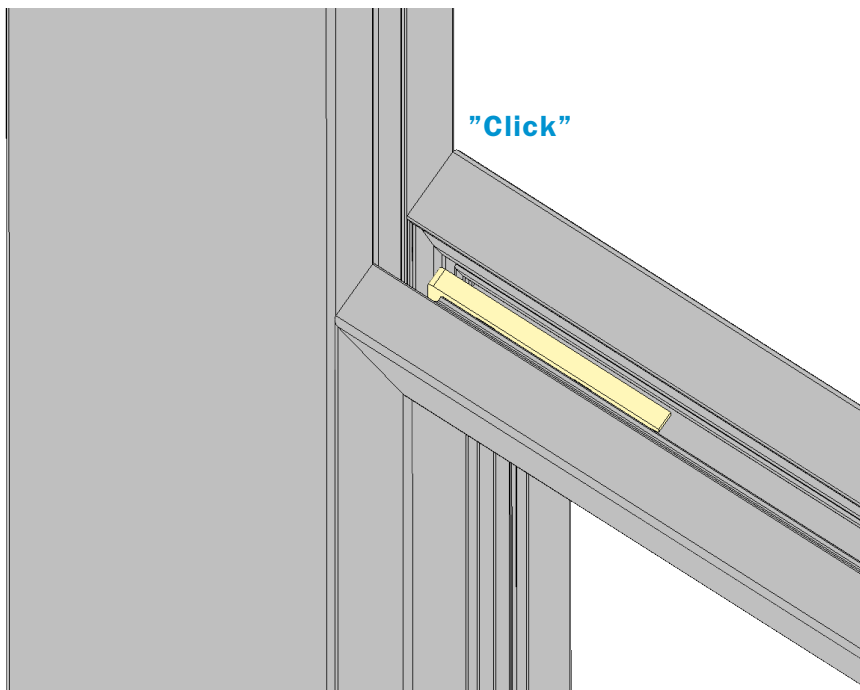
 **Page 9-11**

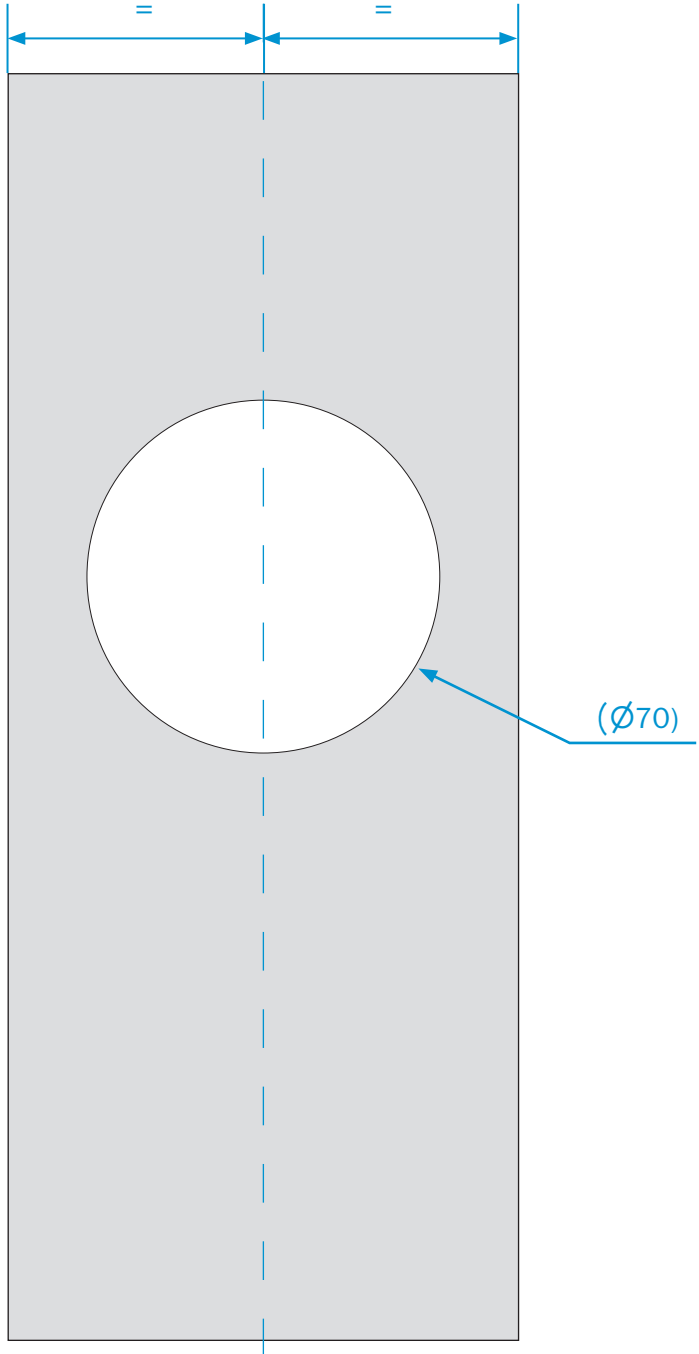




"Click"









Instalera rot dosa i ROCA EI-zon RG-530

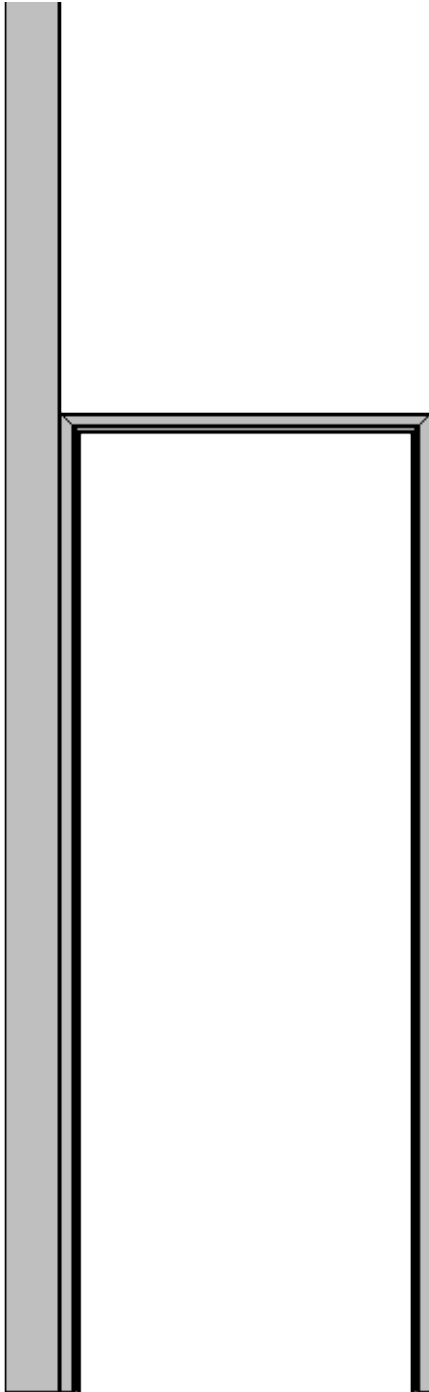


Begin tightening of the both screws in junction box (*alternately*) with the box away from the profile as the film shows.

Påbörja åtdragning av båda skruvarna i rot dosan (*växelvis*) med dosan en bit ifrån profilen som filmen visar.



See film on YouTube »



Stand-alone

