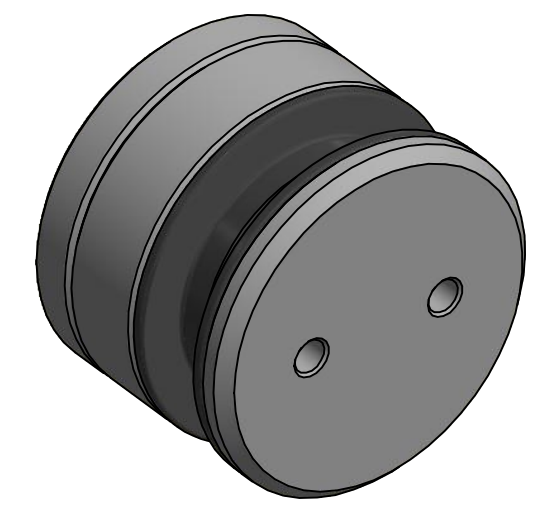
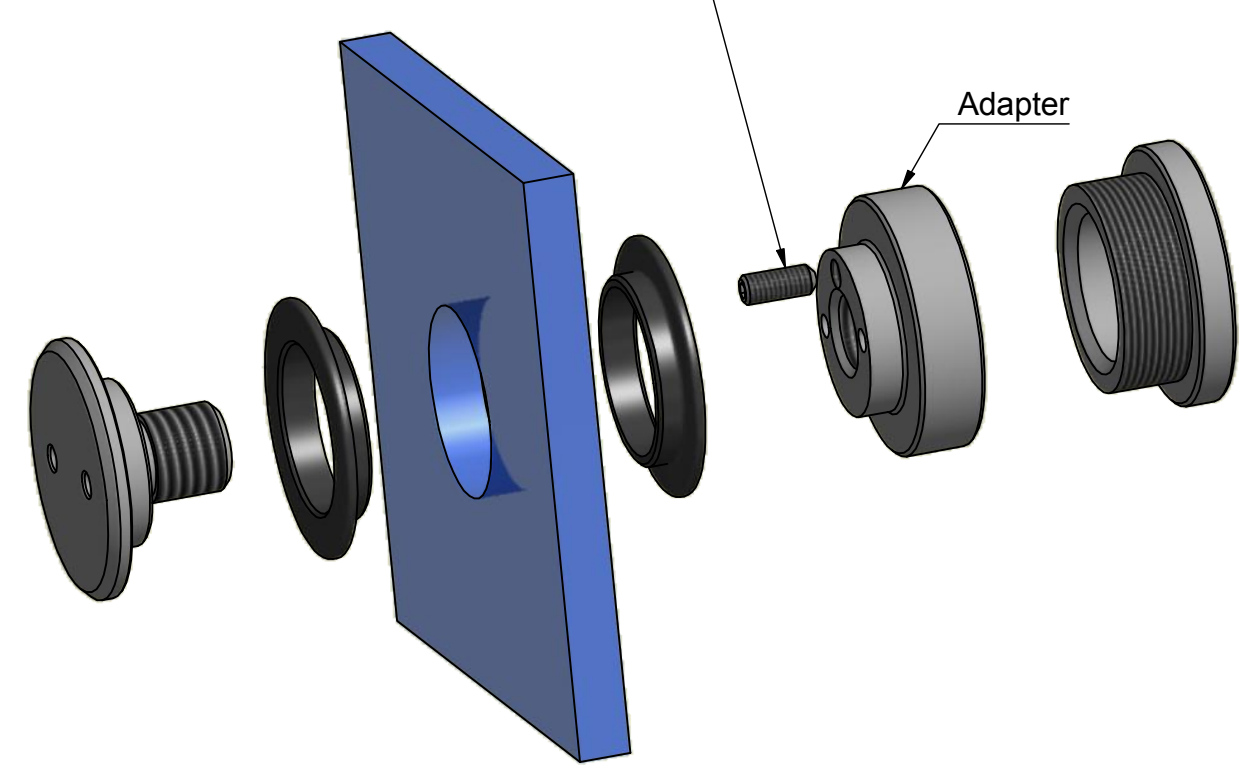


After the adapter has been adjusted, tighten the set screw to fixate the length of the point fixing



Item No.	L
861501	15-20
861502	30-35

Point fixing	V3190312/AG
RG-170	

The distance between the point fixings should Not exceed 800mm