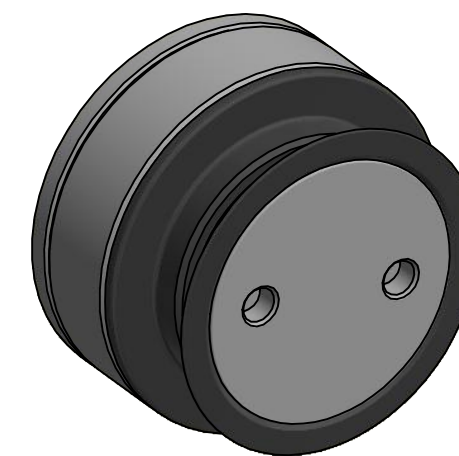
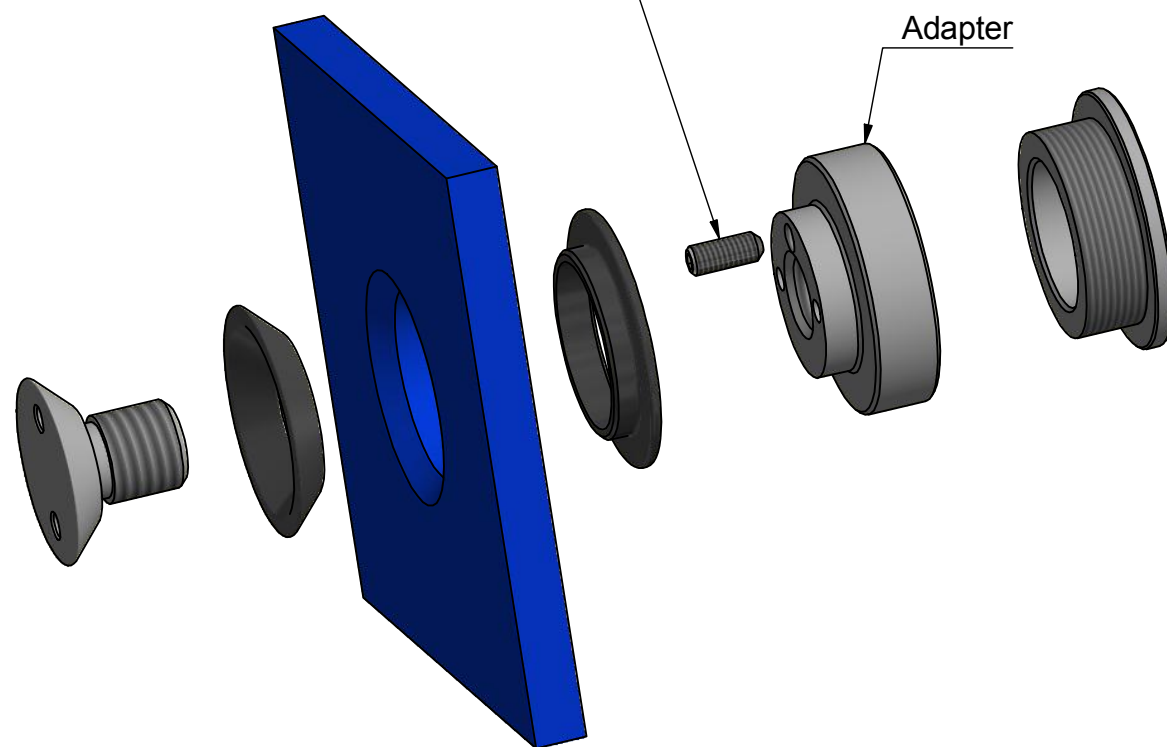


After the adapter has been adjusted, tighten the set screw to fixate the length of the point fixing



| Item No. | L |
|----------|-------|
| 861504 | 15-20 |
| 861505 | 30-35 |

Point fixing, Counter sunk V4 190312/AG

RG-173