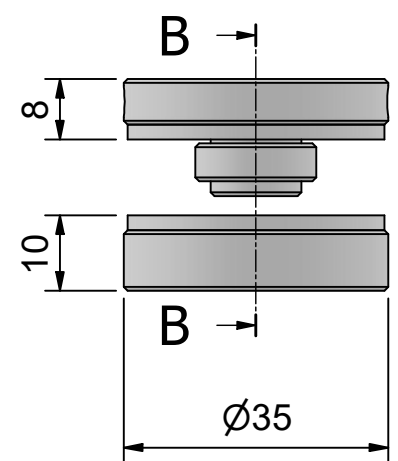
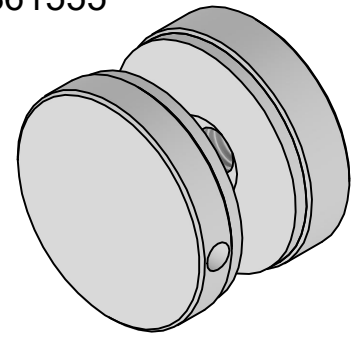
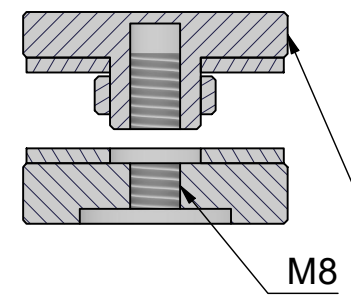


861555

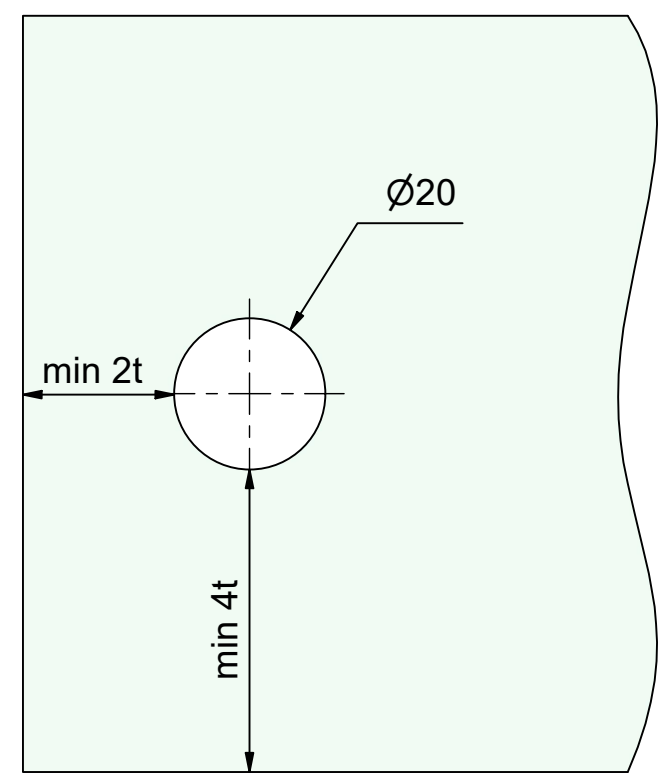


B-B (1:1)



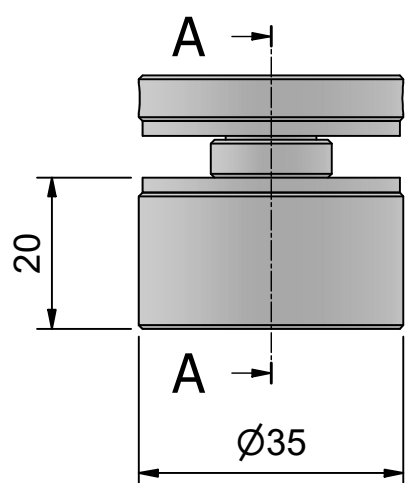
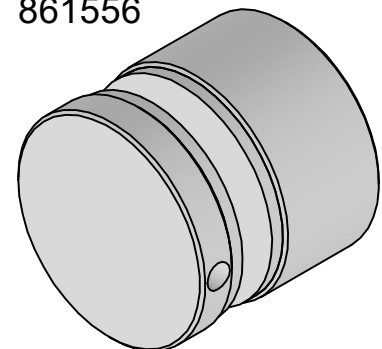
Attach cover with MIN 4 total turns to RG-183 or 184

Recommended glass thickness 6-10mm

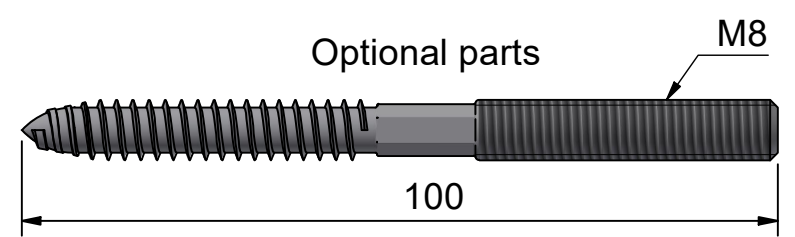
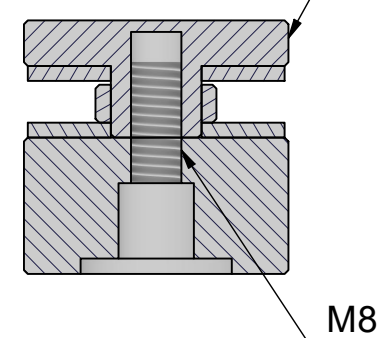


t=glass thickness

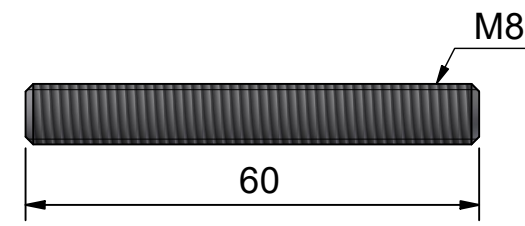
861556



A-A (1:1)



RG-183 / 861558



RG-184 / 861559

