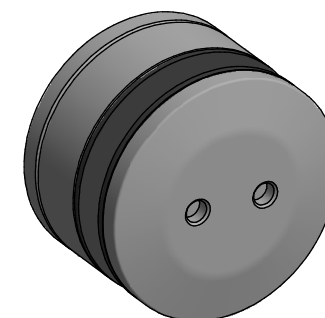
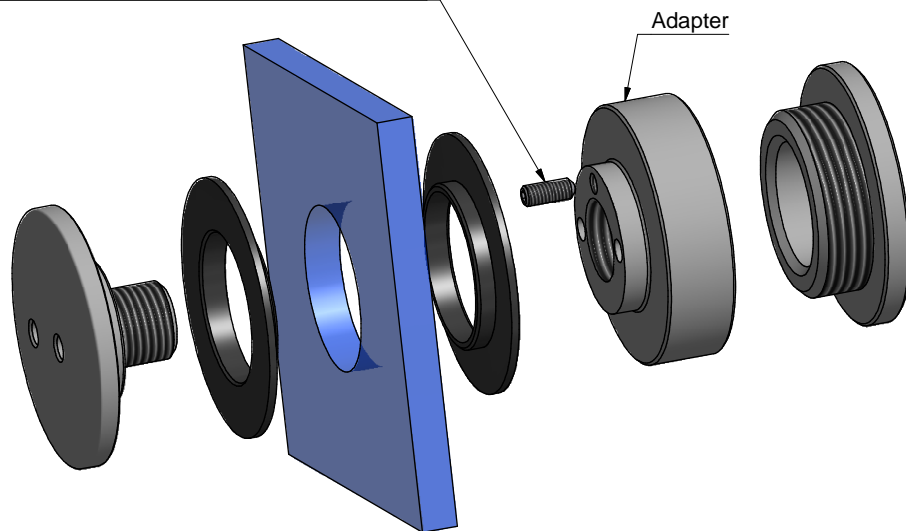


After the adapter has been adjusted, tighten the set screw to fixate the length of the point fixing



Item No.	L
861507	20-25
861508	40-45

Point fixing	V1 120904/EM
	<b>RG-176</b>

The distance between the point fixings should Not exceed 800mm