



(1:1)

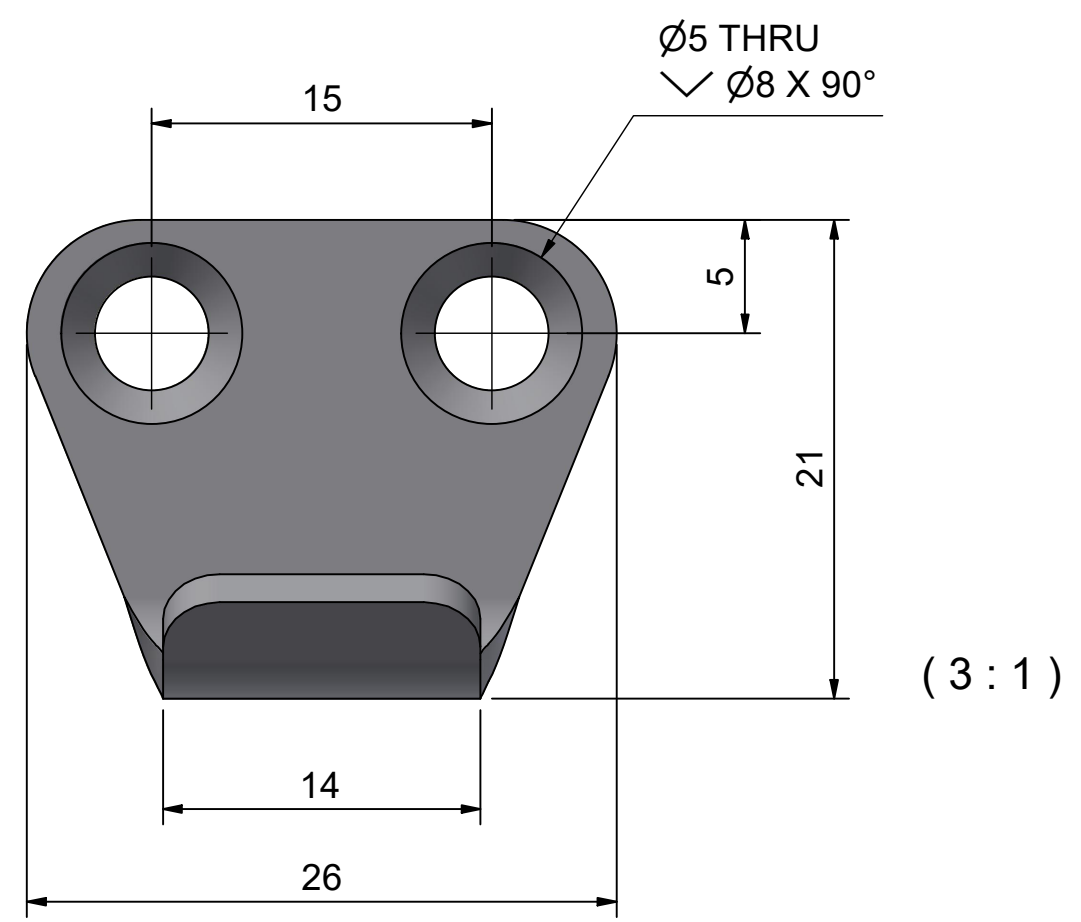


Table		
Item no.	Material	Treatment
904207	AISI316	Electro polished
905577	Steel	Zinc plated

See table Date V2 230815/LW

Description **Catchplate | 10** Item no. **904207,905777**