

Opening limiter OLDA 73 DS



73 DS – left hinged door assembly



73 DS – right hinged door assembly

Function:

A flexible door limiter which stops the door leaf at the desired opening angle, usually between 90 to 130 degrees.

Features:

By choosing sideways installation position (compared to the hinge) the OLDA 73 DS will limit the door leaf in the desired angle.

The plate for fixing has dimensions 130 x 30 x 5 mm and the arm (including stop) reaches 143 mm from the frame. The rubber stop has $\varnothing 30$ mm and is placed 55 mm below the centre of the fixing plate.

Manufactured in powder coated (white and grey) or stainless steel. Other colours and patterns available by request.

Usage:

Fits both left and right hinged doors, by choosing direction of the stop at installation.

Mainly intended for inner doors with moderate forces applied.

Installation:

OLDA 73 DS is usually fitted on the top frame and is fixed with four round headed 5 x 40 mm screws.

Specification:

- Fixing plate:
 - width: 130 mm
 - height: 30 mm
 - thickness: 5 mm
- Arm: 143 mm reach from frame
- Rubber stop:
 - diameter: 30 mm
 - placement: 55 mm below the centre of the fixing plate
- Material:
 - powder coated steel:
 - white – RAL 9010
 - grey – RAL 9006
 - others – by request, see photo below
 - stainless steel

Complementary products:

To hold the door leaf open in a fixed position, use OLDA door fastener 77 DA in combination with opening limiter 73 DS.

Service:

Function tests are recommended once or twice a year. Test and clean as needed.

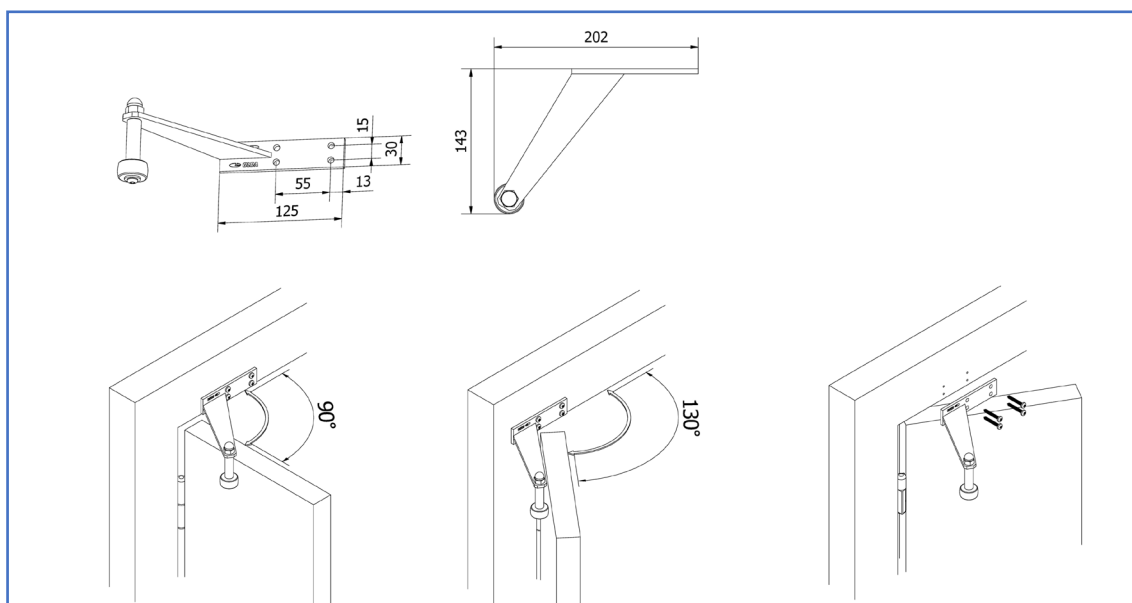
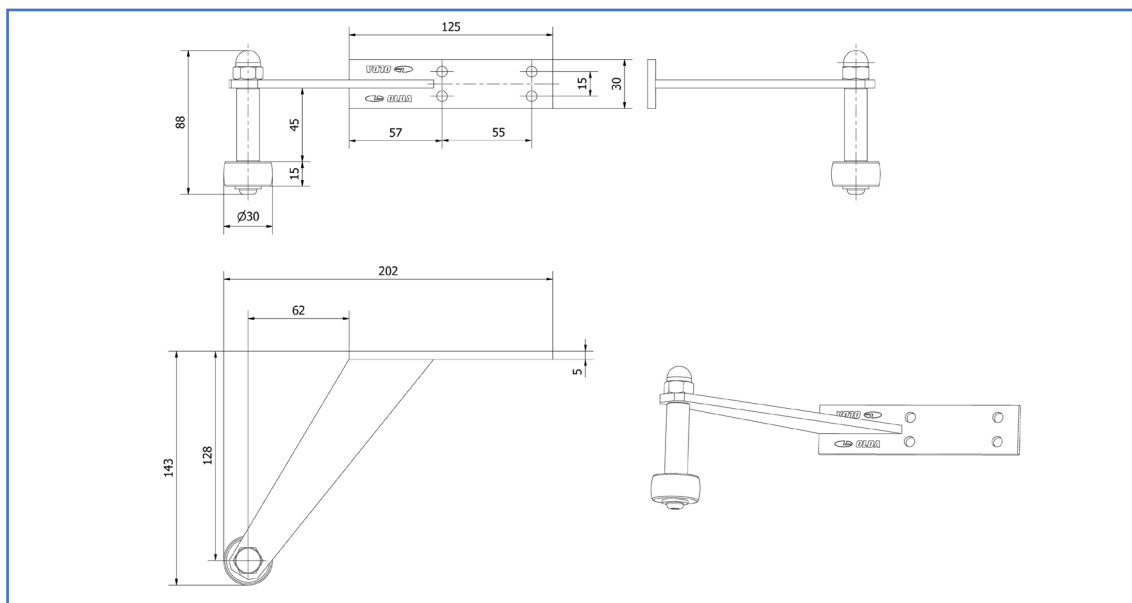
Warranty:

All mechanical “OLDA” branded products have a 36-month factory warranty.



Carbon fibre, leather, oak and marble

Opening limiter OLDA 73 DS – left hinged door assembly



Product documents:

- [Dimensions](#)
- [Installation](#)

Product models – 2D:

- [PDF](#)
- [DXF](#)
- [DWG](#)

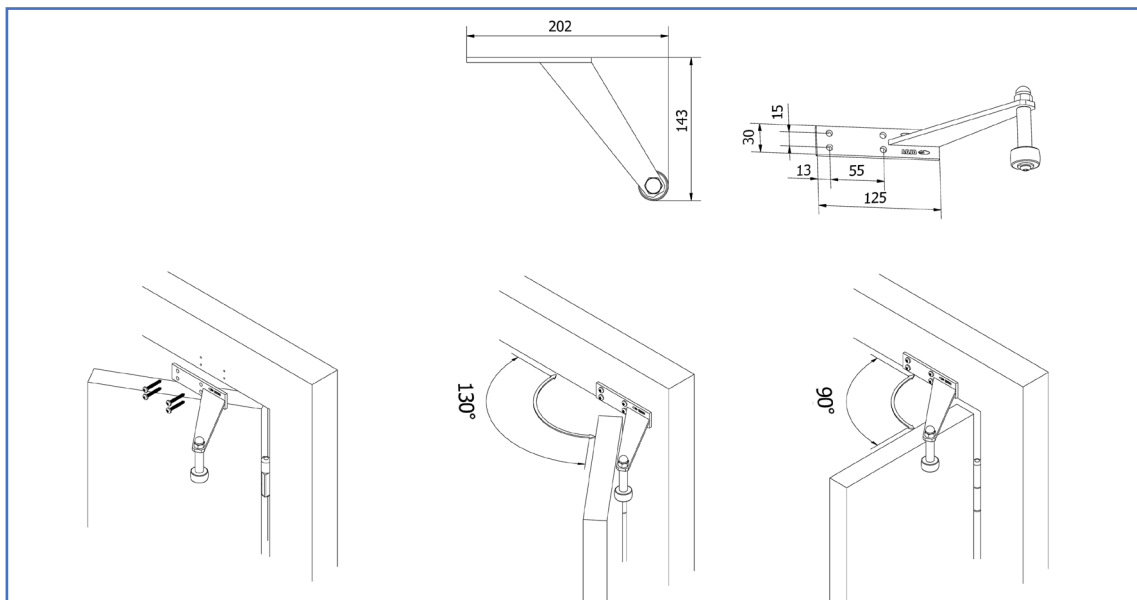
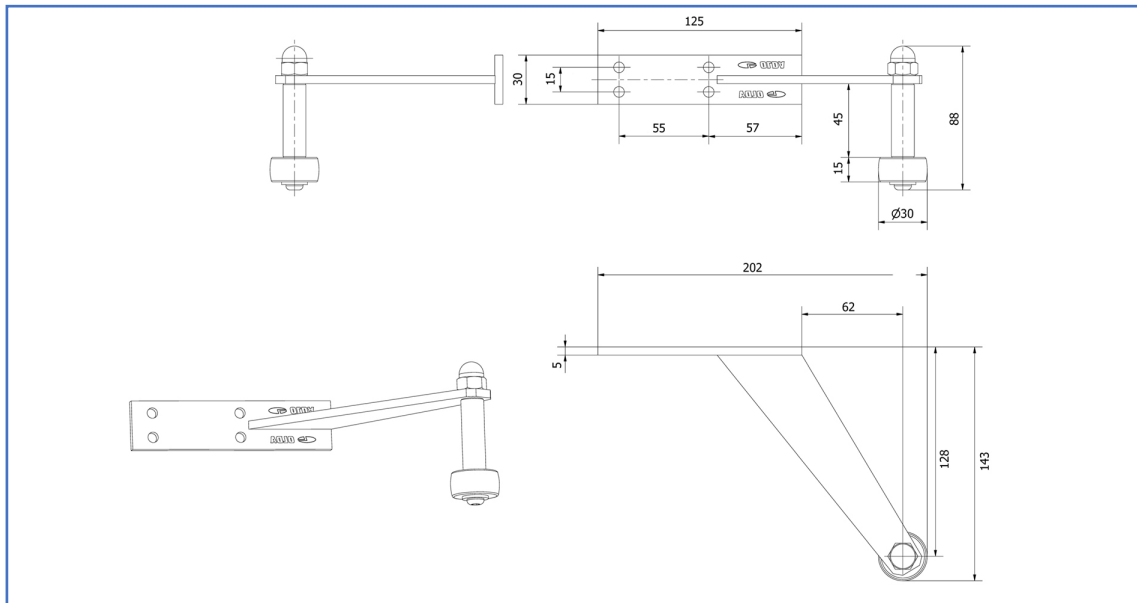
Product models – 3D:

- [STEP](#)
- [DWG](#)
- [PDF – 3D](#)

OLDA product links:

- [Opening limiter OLDA 73 DS](#)
- [Flush bolt accessories](#)
- [OLDA flush bolts](#)
- [OLDA fittings school](#)

Opening limiter OLDA 73 DS – right hinged door assembly



Product documents:

- [Dimensions](#)
- [Installation](#)

Product views – 2D:

- [PDF](#)
- [DXF](#)
- [DWG](#)

Product views – 3D:

- [STEP](#)
- [DWG](#)
- [PDF – 3D](#)

OLDA product links:

- [Opening limiter OLDA 73 DS](#)
- [Flush bolt accessories](#)
- [OLDA flush bolts](#)
- [OLDA fittings school](#)