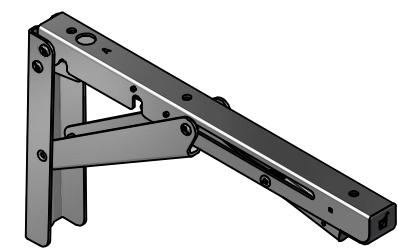
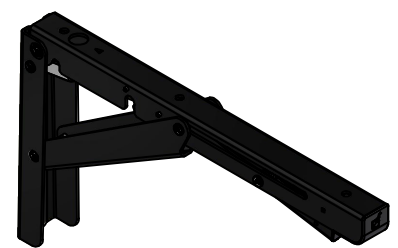


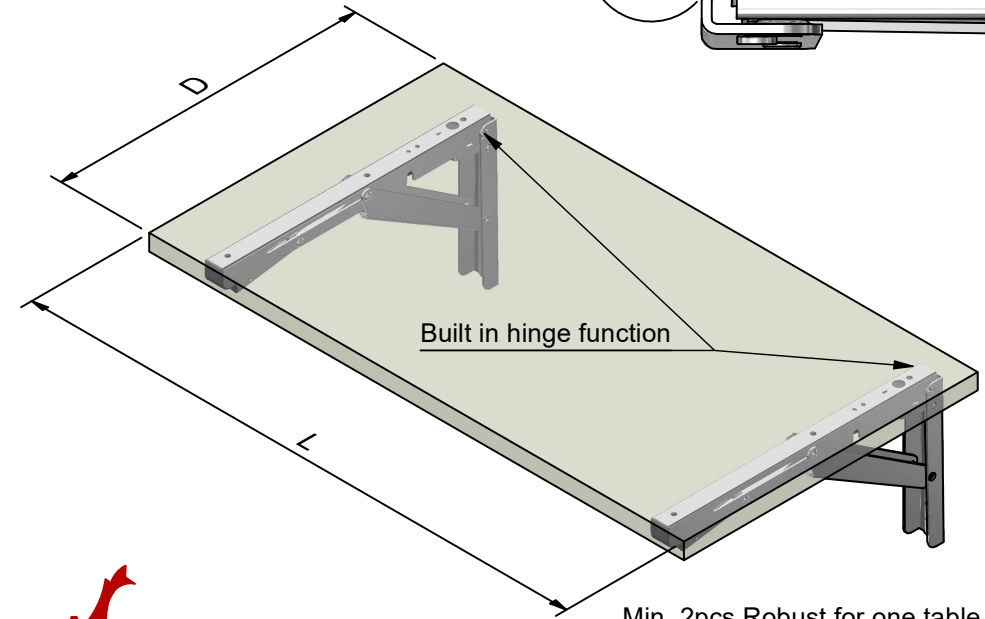
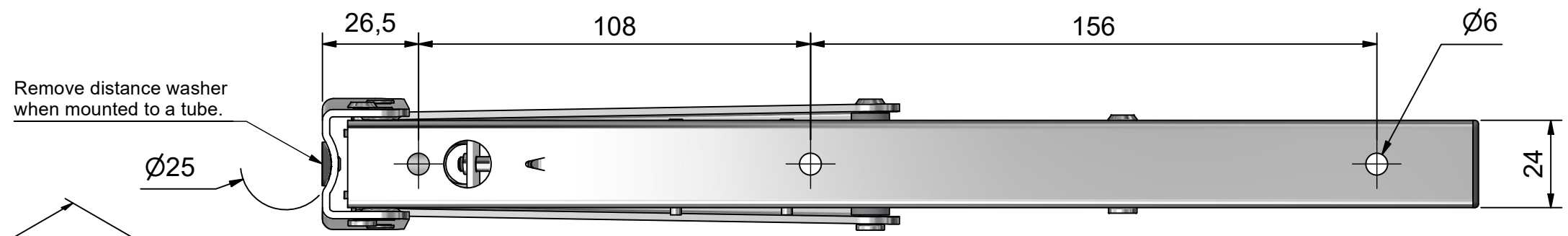
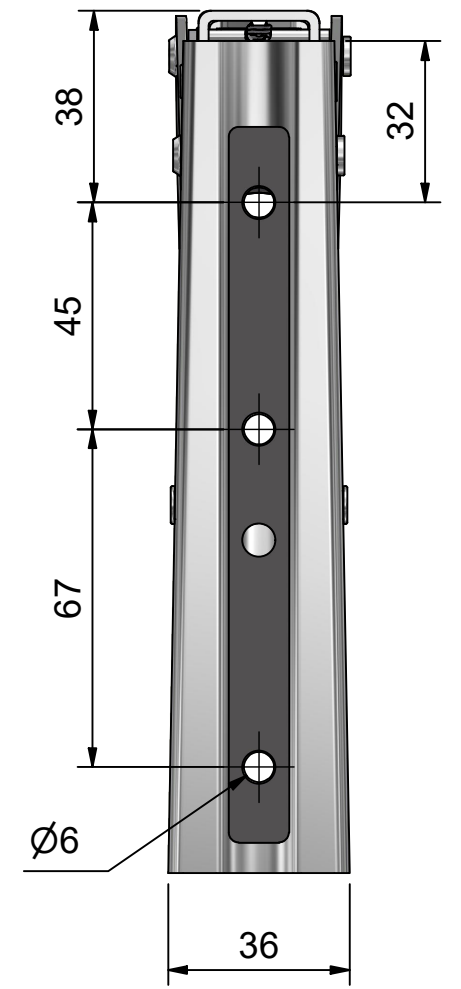
Specification:
 Bracket - AISI304 / Electro polished
 Damper - Steel / painted + shaft AISI304 (IP65)
 Working temp. -30° to +120°
 Distance washer - ABS
 End plugs - PA
 Durability test - 50'000 cycles



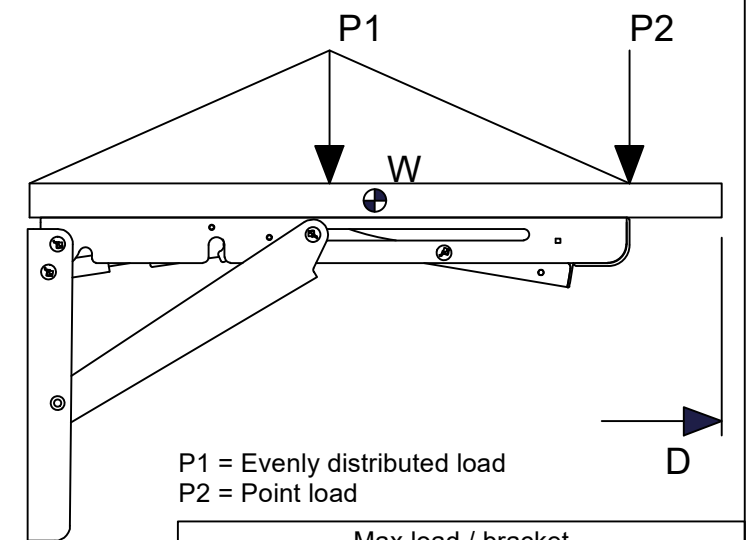
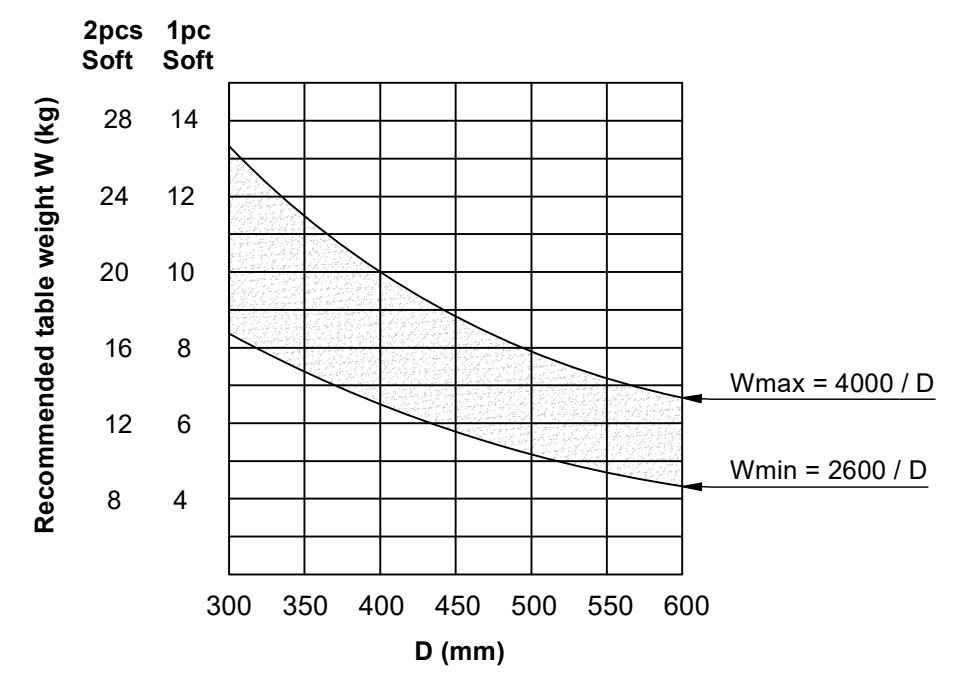
907265 - EP



917265 - HBO (Black)



Min. 2pcs Robust for one table.
 Choose 1 or more soft depending
 on table weight, see diagram!



Max load / bracket		
P1 = kg	P2 = kg	Torque = Nm
200	100	290

